



# AGRIPARTS & REPAIRS

## TRANSMISSION COMPONENTS

**5**<sup>TH</sup>  
EDITION

AGRICULTURAL • INDUSTRIAL • MINING • SUPPLIES



- Trailer Jacks
- Gearboxes
- Couplings
- PTO Shafts
- Towing
- Winches
- Hardware
- Wheels, Rims & Tyres

 **comer industries**

 **SIMOL**<sup>®</sup>





**AGRIPARTS  
& REPAIRS**



For all enquiries please contact:

**P: 08 9362 6811**

29 WELSHPOOL ROAD, WELSHPOOL WA 6106  
WESTERN AUSTRALIA

Email: [sales@agriparts.com.au](mailto:sales@agriparts.com.au)



**NEW BRANCH  
OPENS**  
To Service Our  
Eastern States  
Customers

For all enquiries please contact:

**P: 03 5823 0250**

5 PRODUCTION WAY, PAKENHAM VIC 3810  
VICTORIA

Email: [sales.vic@agriparts.com.au](mailto:sales.vic@agriparts.com.au)

AUSTRALIAN DISTRIBUTOR FOR



This catalogue contains agricultural and industrial equipment from AGRIPARTS & REPAIRS. All material grades and specifications are of the highest standard. We stock a range to suit all applications and budgets.

Please note that variations on designs shown are available. Minimum quantities may apply.

Please discuss your requirements with our staff.

ALL DRAWINGS ARE REPRESENTATIVE ONLY

## TRAILER JACKS

Novel Jack	2
Trailer Landing Legs	3-5
Jockey Wheels	6
Trailer Jacks	7-14
Hydraulic Landing Legs	15-16
Spare Parts	17-18

## GEARBOXES

L-25A	19
3290 Series, 3941 Series Forward/Reverse	20
T-19, T-27 3 Way Gearbox	21
T-304A, T-278A 3 Way Gearbox	22
T-290A, T-22A 3 Way Gearbox	23
SD 11 Series 3 Way Gearbox	24
T-279A, T-269A 3 Way Gearbox	25
T-269B, T-301B 3 Way Gearbox	26
T-331A, T-332A 3 Way Gearbox	27
T-269A, T-301A 4 Way Gearbox	28
T-25A, T-305J	29
LF-205J, LF-140J Slasher Gearbox	30
LF-149B, LF-151A Slasher Gearbox	31
LF-32A, LF-227J Slasher Gearbox	32
U-100J, U-125 Slasher Gearbox	33
LF-171A Slasher Gearbox	34
TF-26A, TF-285A 4 Way Slasher Gearbox	35
T-310A Rotary Tiller Gearbox	36
T-311J Rotary Tiller Gearbox	37
T-312A Rotary Tiller Gearbox	38
T-290A, TL-269E Rotary Tiller Gearbox	39
A-20A, A-649A Reduction Inline	40
A-4A, A-649A Reduction Inline	41
A-16A, K-794A Rake Gearbox	42
D-21, T-279J Fan/Swivel Gearbox	43
D-744A, D-745A Irrigation Gearbox	44
C-3A Feed Mixer Gearbox	45
A-613R Feed Mixer Gearbox	46
PGA-1602 Feed Mixer Gearbox	47
PGA-2502, PGA-3003 Feed Mixer Gearbox	48
Wheel Drives Planetary Gearbox	49
Planetary Drive Planetary Gearbox	50

## PTO SHAFTS

PTO Shafts Triangle / Star Profile	51
CvJ Wide Angle PTO Shaft	52
CvJ Wide Angle PTO Shaft No End Yoke	52
PTO Shaft V Profile with Safety Clutch	53
Uni Cross & Tube Profile	54
Tube Profile & End Yokes	55
Replacement PTO Shaft Covers	55
9 Series PTO	56
Friction Clutch type T	57
Safety Clutch, Combination of Over Run & Safety Clutch	58
Shear Bolt Torque Limiter	59
Yoke Collar, Yoke Non Interfering Clamp Bolt	60

## TOWING

Towing Eyes	61-62
Bull Pull Towing Eyes	63
On Road Couplings, Off Road Couplings	64

## TRAILER COMPONENTS

Turntable Slewing Rings	65-66
L-Range, N-Range Turntable Bearings	67
P-Range, T-Range Turntable Bearings	68
Tipper Trailer Kits	69
Tipper Installation Kits	70
Hydraulic Power Units, Hose Assembly Kits	71

## HAND WINCHES

Boat Winches	72
RBW 1500 Brake Winches	73
RBW 2500 Brake Winches	74
RBW 3500 Brake Winches	75
RHW 450, RHW 900	76
RHW 1200, RHW 2000	77
PD 25 (Two Speed)	78

## ELECTRIC WINCHES

REW2200W-12, REW3500-12	79
RES6000-12, RES9000-12	80
REW RS12000i	81
REW RS 15000C	82
RYW 9000, RYW 18000 Hydraulic Winches	83
Electric Winch Parts	84

## HARDWARE

Hardware	86-92
Snatch Straps / Towing Strops	93

## WHEELS, RIMS AND TYRES

Industrial/Turf Tyre & Wheels	94
Extra Heavy Duty Solid Rubber Industrial Wheels	94
Trailer Wheels & Tyres	95
Tyre & Wheel Assemblies	96

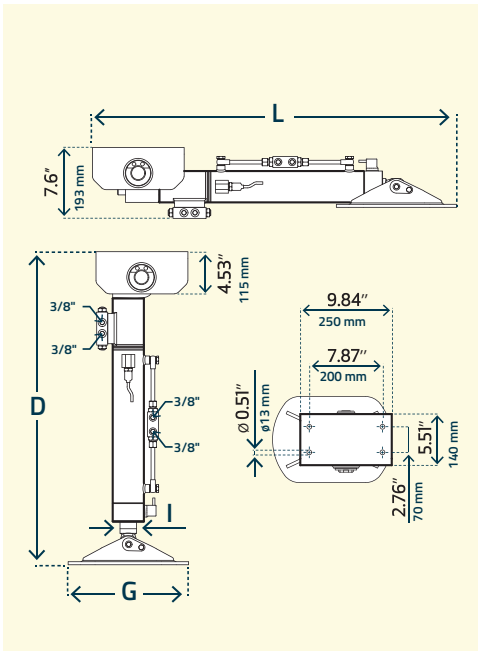
# NOVEL JACK

HYDRAULIC



Code

## NOVEL JACK



### NOVEL JACK

Code



Outer tube

| Inch |  
| mm |



Screw stroke

| Inch ± 39 |  
| mm ± 10 |



Unitary weight

| Lbs |  
| Kg |



Maxi. static load

| Lbs |  
| Kg |

D

| Inch |  
| mm |

G

| Inch |  
| mm |

I

| Inch |  
| mm |

L

| Inch |  
| mm |

**NOVEL JACK**

Ø 3.35  
Ø 85

12  
305

99  
45

18740\*  
8500\*

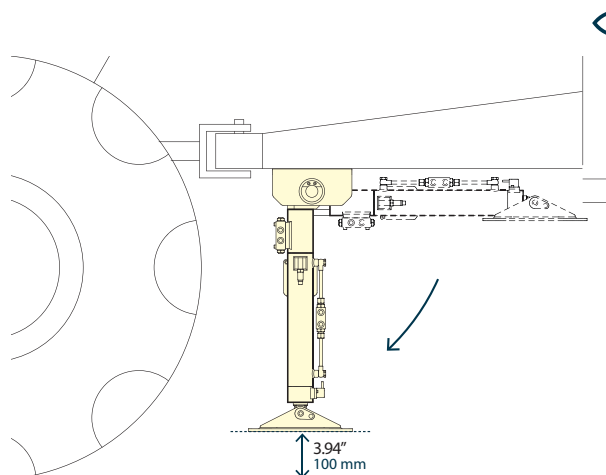
32.64  
829

16.93X11.22  
430x285

Ø 1.77  
Ø 45

41.06  
1043

\*ASABE/ISO-12140:2013 CERTIFICATION:  
Rated static compressive load = 8500 kg/18740 Lbs  
(tested up to 17000 kg/ 37480 Lbs)  
Lifting capacity = 8500 kg/18740 Lbs  
Side torque class = III  
Operating pressure 217 bar

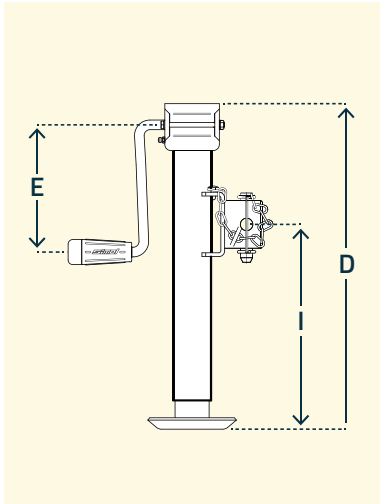


### INSTALLATION

# LANDING LEGS



## TYPE: QLT 3153W

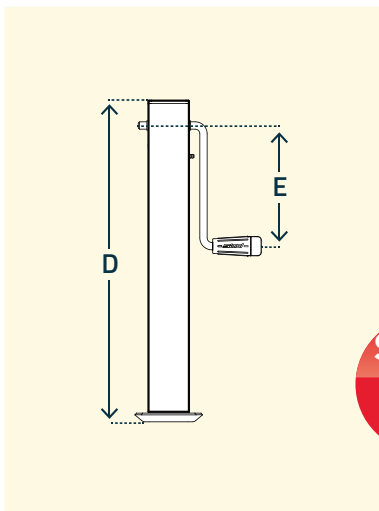


ISO-12140 certified jack, swivel, 2-speeds

- Parking jacks
- Sidewind
- Integrated drop leg safety system
- ASABE/ISO-12140: 2013 compliant
- Heavy duty

PART NO	OUTER TUBE (mm)	SCREW STROKE ( $\pm 10$ )	STEEL WHEELS (mm)	RUBBER WHEELS (mm)	UNIT WEIGHT (kg)	LIFT CAPACITY (kg)	MAX. STATIC LOAD (kg)	D (mm)	E (mm)	I (mm)
QLT 3153W	Ø 60	365	-	-	7.1	455	2658	550	165	390

## TYPE: QDG 600W



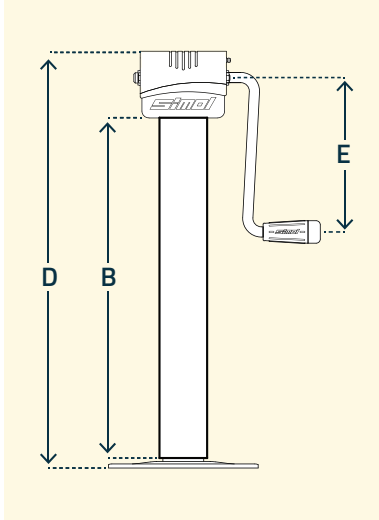
ISO-12140 certified jack, 2-speeds

- Parking jacks
- Sidewind
- ASABE/ISO-12140: 2013 compliant
- Heavy duty

PART NO	OUTER TUBE (mm)	SCREW STROKE ( $\pm 10$ )	STEEL WHEELS (mm)	RUBBER WHEELS (mm)	UNIT WEIGHT (kg)	LIFT CAPACITY (kg)	MAX. STATIC LOAD (kg)	D (mm)	E (mm)
QDG 600W	□ 70	300	-	-	8.2	2500	6500	555	210



## TYPE: QDG 707W

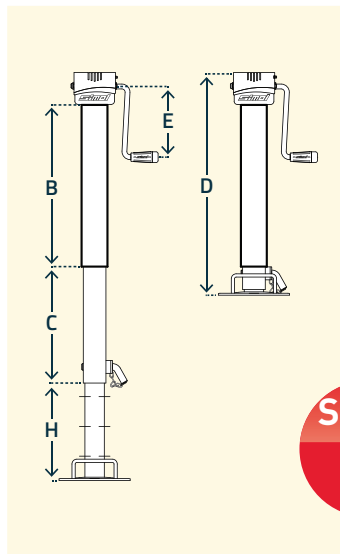


ISO-12140 certified jack,  
2-speeds

- Parking jacks
- Sidewind
- ASABE/ISO-12140:
- 2013 compliant
- Heavy duty

PART NO	OUTER TUBE (mm)	SCREW STROKE ( $\pm 10$ )	STEEL WHEELS (mm)	RUBBER WHEELS (mm)	UNIT WEIGHT (kg)	LIFT CAPACITY (kg)	MAX. STATIC LOAD (kg)	D (mm)	E (mm)	I (mm)
QDG 707W	□ 80	400	-	-	17	2800	7265	500	705	595

## TYPE: QDG 706/3SFW

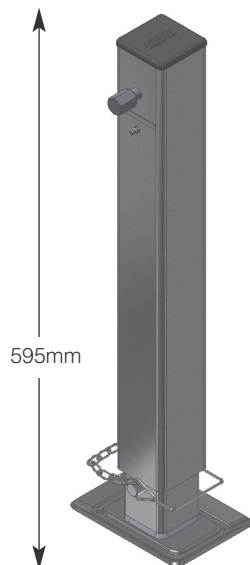
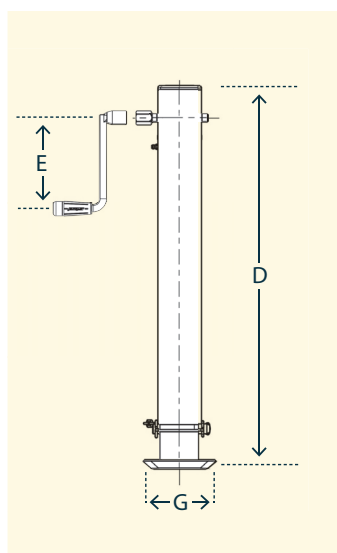


ISO-12140 certified jack,  
2-speeds, three stages

- Parking jacks
- Sidewind
- Integrated drop leg safety system
- ASABE/ISO-12140: 2013 compliant
- Heavy duty

PART NO	OUTER TUBE (mm)	SCREW STROKE (+- 10)	STEEL WHEELS (mm)	RUBBER WHEELS (mm)	UNIT WEIGHT (kg)	LIFT CAPACITY (kg)	MAX. STATIC LOAD (kg)	B (mm)	C (mm)	D (mm)	E (mm)	H (mm)
QDG 706/3SFW	□ 80	300	-	-	21	2800	9350	500	380	685	225	300

## TYPE: DG590/3SF19

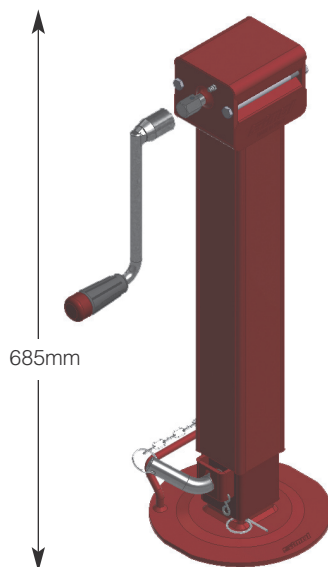
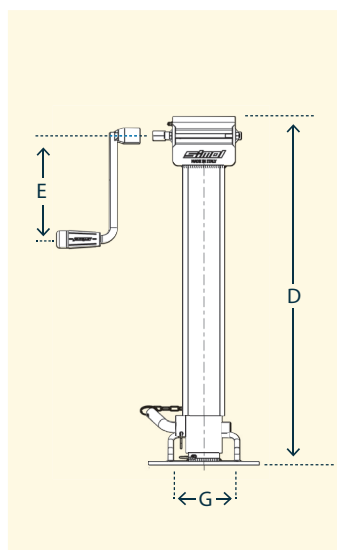


### Parking jacks with detachable handle

Designed for agricultural machines and trailers, caravans and car trailers, construction machinery, maintenance and snowmaking and aircraft docking systems

PART NO	TUBE	SCREW STROKE (mm)	UNIT kg	MAX STATIC LOAD (kg)	B mm	C mm	D mm	E mm	G mm	H mm	I mm
DG590/3SF19	70	370	12.5	1500	460	370	595	170	120 x 165	340	-

## TYPE: DG706/3SF19



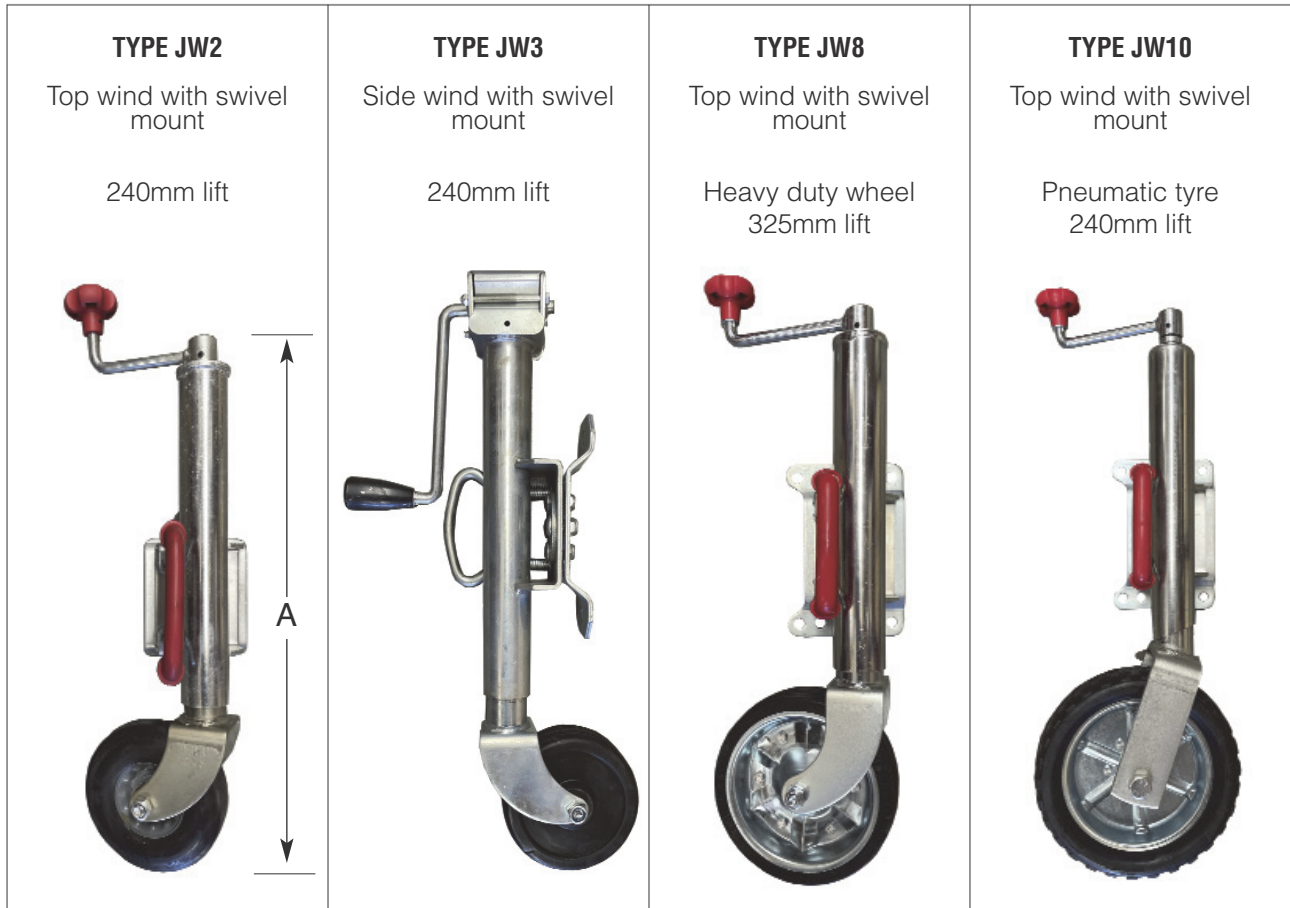
### Parking jacks with detachable handle

Designed for agricultural machines and trailers, caravans and car trailers, construction machinery, maintenance and snowmaking and aircraft docking systems

PART NO	TUBE	SCREW STROKE (mm)	UNIT kg	MAX STATIC LOAD (kg)	B mm	C mm	D mm	E mm	G mm	H mm	I mm
DG706/3SF19	80	300	21	2500	500	380	685	225	220	276	-

# LANDING LEGS

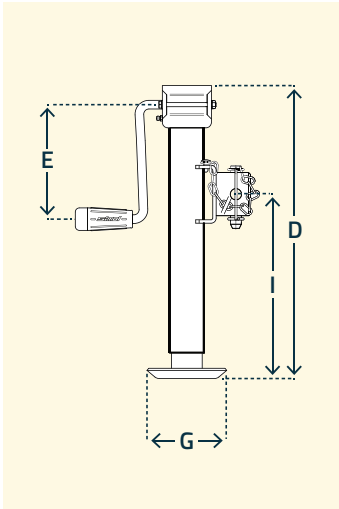
## JOCKEY WHEELS



PART NUMBER	WHEEL SIZE	OUTER TUBE DIAMETER mm	STATIC LOAD RATING mm (10mm)	SCREW STROKE mm (10mm)	SECTIONAL HEIGHT mm	UNIT WEIGHT kg	WIND METHOD
	X Width mm				A		
JW2	140 x 45 Solid rubber	50	450	240	560	4.86	Top
JW3	150 x 50 Solid rubber	50	450	240	550	7.02	Side Small Bracket
JW8	Solid rubber on Steel	50	450	254	710	8.0	Top Small Bracket
JW10	410/350 4Ply Pneumatic	50	450	254	660	8.1	Top Large Bracket

All models 450kg static capacity, lift capacity 50%





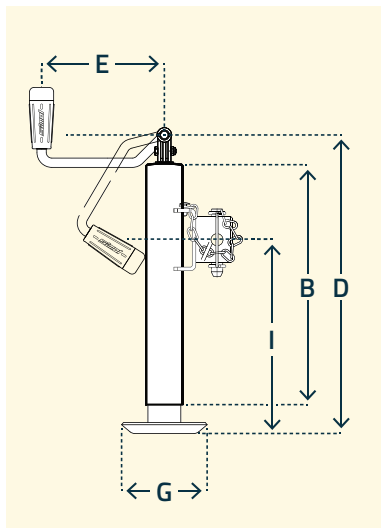
**TYPE:** LT  
**DESCRIPTION:** Swivel jacks  
 Tube mount  
 Side handle



**Swivel jack with side handle, tube mounting**

Designed for agricultural machines and trailers, caravans and car trailers and for construction machinery and aircraft docking systems

PART NO	TUBE	SCREW STROKE (mm)	UNIT kg	MAX STATIC LOAD (kg)	B mm	C mm	D mm	E mm	G mm	H mm	I mm
LT3103	57	250	6.1	1300			425	165	120 x 165		265
LT3153	57	365	7.1	1300			550	165	120 x 165		390



**TYPE:** ST  
**DESCRIPTION:** Swivel jacks  
 Tube mount  
 Folding handle



**Swivel jack, tube mounting, folding handle**

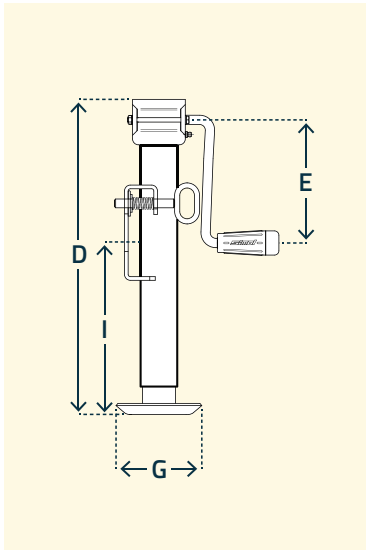
Designed for agricultural machines and trailers, caravans and car trailers and for construction machinery

PART NO	TUBE	SCREW STROKE (mm)	UNIT kg	MAX STATIC LOAD (kg)	B mm	C mm	D mm	E mm	G mm	H mm	I mm
ST3104	57	250	5.4	1300	330		410	168	120 x 165		265
ST3154	57	360	6.4	1300	455		535	168	120 x 165		390
ST3254	57	360		1300	605		685	168	120 x 165		580

# TRAILER JACKS



TRAILER JACKS

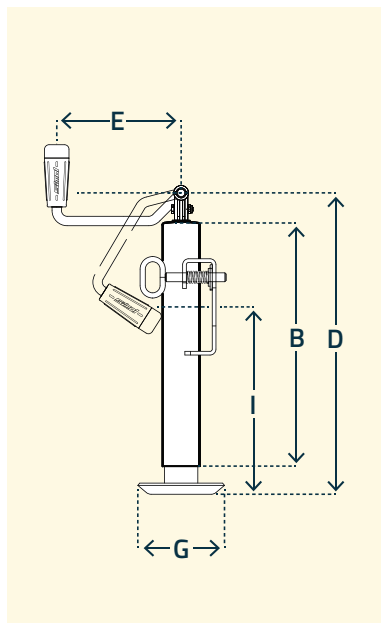


**TYPE:** LF  
**DESCRIPTION:** Swivel jacks  
 Bracket mounting  
 Side handle

**Swivel jack with side handle, bracket mounting**

Designed for agricultural machines and trailers, caravans and car trailers, construction machinery and aircraft docking systems

PART NO	TUBE	SCREW STROKE (mm)	UNIT kg	MAX STATIC LOAD (kg)	B mm	C mm	D mm	E mm	G mm	H mm	I mm
LF3101	57	250	6.3	1300			425	165	120 x 165		245
LF3151	57	365	7.3	1300			550	165	120 x 165		390

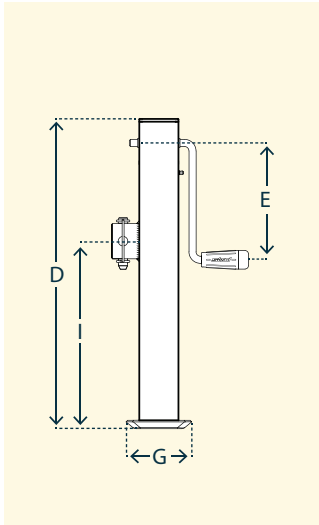


**TYPE:** SF  
**DESCRIPTION:** Swivel jacks  
 Bracket mounting  
 Folding handle

**Swivel jack with side handle, bracket mounting**

Designed for agricultural machines and trailers, caravans and car trailers, construction machinery and aircraft docking systems

PART NO	TUBE	SCREW STROKE (mm)	UNIT kg	MAX STATIC LOAD (kg)	B mm	C mm	D mm	E mm	G mm	H mm	I mm
SF3102	57	250	5.6	1300	330		410	168	120 x 165		255
SF3152	57	360	6.6	1300	455		535	168	120 x 165		380



## TYPE: DG 590

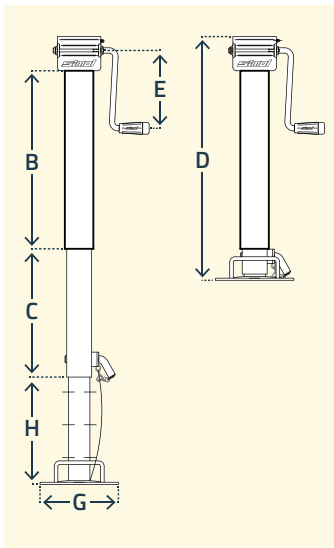
DESCRIPTION: Swivel jacks  
Side handle  
Tube mount

### Parking jacks with side handle

Designed for agricultural machines and trailers, caravans and car trailers, construction machinery, maintenance and snowmaking and aircraft docking systems

PART NO	TUBE	SCREW STROKE (mm)	UNIT kg	MAX STATIC LOAD (kg)	B mm	C mm	D mm	E mm	G mm	H mm	I mm
DG590Z*	70	360	10.5	1500			555	167	120 x 165		378

\* Supplied with Welded Pivot Bush



## TYPE: DG 5903SF

DESCRIPTION: Parking jacks  
Side handle  
3 Stage Drop leg

### Parking jacks with side handle

Designed for agricultural machines and trailers, caravans and car trailers, construction machinery, maintenance and snowmaking and aircraft docking systems

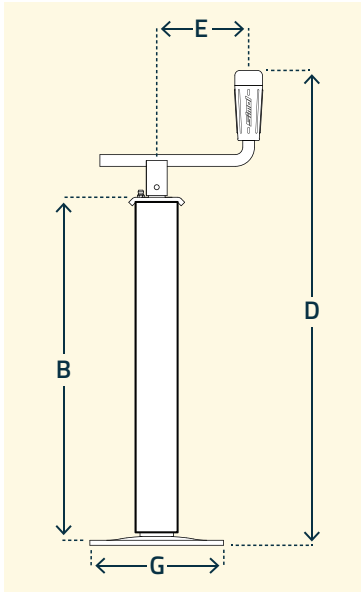
PART NO	TUBE	SCREW STROKE (mm)	UNIT kg	MAX STATIC LOAD (kg)	B mm	C mm	D mm	E mm	G mm	H mm	I mm
DG5903SF	70	360	12.0	1500	545	418	617	167	120 x 165	355	
DG5903SF5*	70	360	12.5	1500	545	418	617	167	120 x 165	355	462
DG6003SF1W* 2 SPEED	70	300	13.0	3270	545	375	635	210	120 x 165	355	

\* Supplied with Welded Pivot Bush

# TRAILER JACKS



TRAILER JACKS

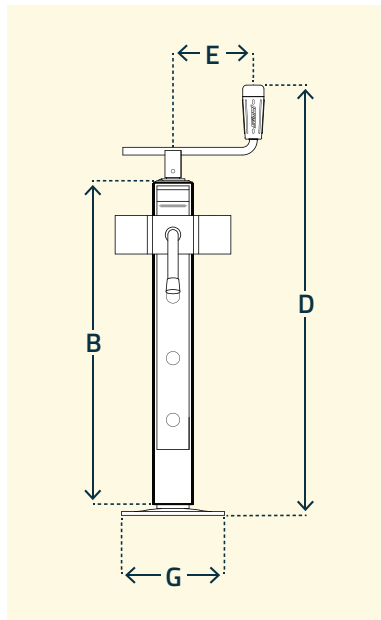


**TYPE:** P  
**DESCRIPTION:** Parking jack  
 Top wind

**Parking jack with horizontal handle**

Designed for agricultural machines and trailers, caravans and car trailers, construction machinery, maintenance and snowmaking, trailers and semi-trailers and aircraft docking systems

PART NO	TUBE	SCREW STROKE (mm)	UNIT kg	MAX STATIC LOAD (kg)	B mm	C mm	D mm	E mm	G mm	H mm	I mm
P560	70	310	8.2	1000	500		675	185	160		



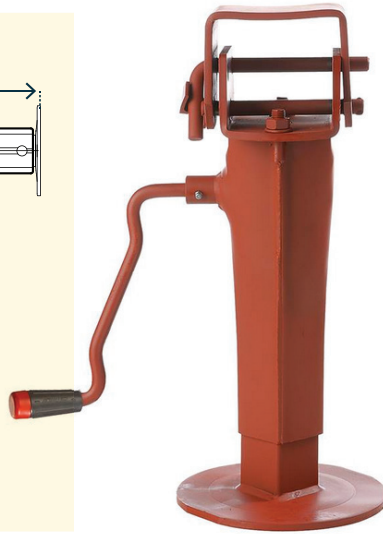
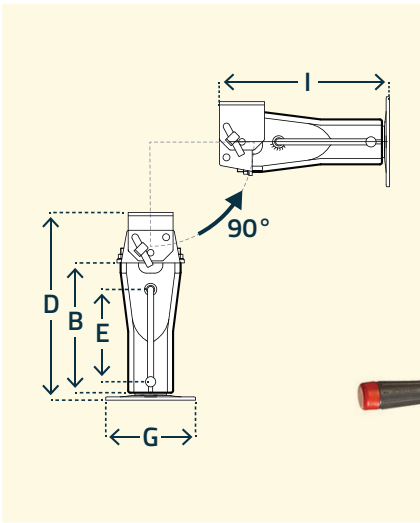
**TYPE:** PE  
**DESCRIPTION:** Parking jack  
 Top wind  
 Bracket mounting

**Parking jack with adjustable connection**

Designed for agricultural machines and trailers, caravans and car trailers, construction machinery, maintenance and snowmaking and for trailers and semi-trailers

PART NO	TUBE	SCREW STROKE (mm)	UNIT kg	MAX STATIC LOAD (kg)	B mm	C mm	D mm	E mm	G mm	H mm	I mm
PE595	70	310	11.5	1000	500		670	185	160		
PE600	80	300	16.6	1200	500		670	185	220		

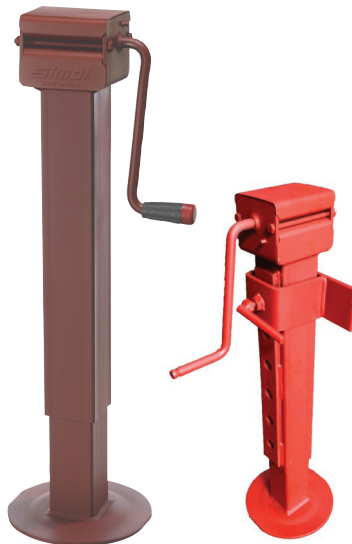
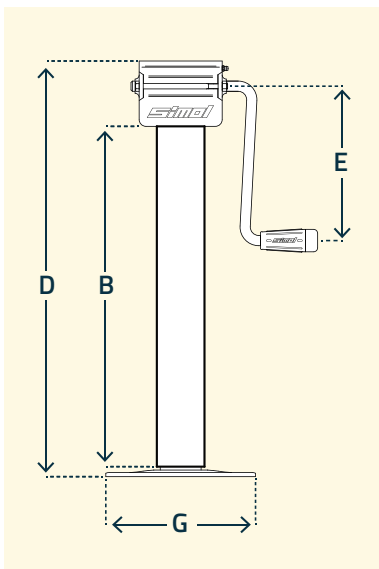
# TRAILER JACKS



**TYPE:** DS  
**DESCRIPTION:** Swivel jacks  
 Side handle  
 Bracket mounting

**Parking jack with tipping connection**  
 Designed for agricultural machines and trailers and for trailers and semi-trailers

PART NO	TUBE	SCREW STROKE (mm)	UNIT kg	MAX STATIC LOAD (kg)	B mm	C mm	D mm	E mm	G mm	H mm	I mm
DS510S	70	170	13.8	6000	325	125	460	210	220	415	



**TYPE:** DG 706  
**DESCRIPTION:** Parking jack  
 Side handle

**Parking jack**  
 Designed for agricultural machines and trailers, caravans and car trailers, construction machinery, maintenance and snowmaking, trailers and semi-trailers and aircraft docking systems

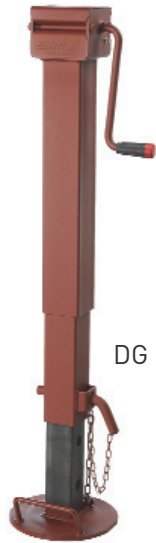
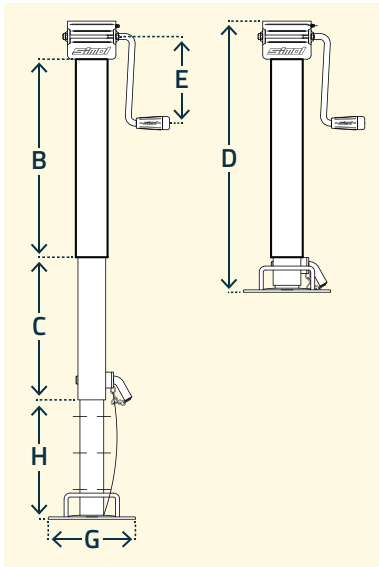
DG 706PE

PART NO	TUBE	SCREW STROKE (mm)	UNIT kg	MAX STATIC LOAD (kg)	B mm	C mm	D mm	E mm	G mm	H mm	I mm
DG706	80	300	13.4	4000	500		605	225	220		
DG706W (2 Speed)	80	300	13.4	5440	500		605	225	220		
DG706PE	80	300	14.4	4000	500		605	225	220		

# TRAILER JACKS



TRAILER JACKS



DG 706/3SF

## TYPE: DG 7063SF

DESCRIPTION: Parking jack  
Side handle  
3 stage drop leg

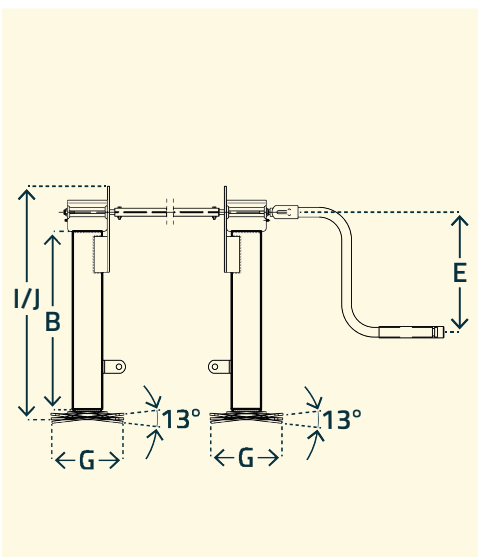
Parking jack with side handle, with or without reduction gear, three stages

Designed for agricultural machines and trailers, caravans and car trailers, construction machinery, maintenance and snowmaking, trailers and semi-trailers and aircraft docking systems

PART NO	TUBE	SCREW STROKE (mm)	UNIT kg	MAX STATIC LOAD (kg)	B mm	C mm	D mm	E mm	G mm	H mm	I mm
DG7063SF	80	300	21	2500	500	380	685	225	220	276	
DG7063SFW (2 Speed)	80	300	21	4535	500	380	685	225	220	276	

## TYPE: DG 2800

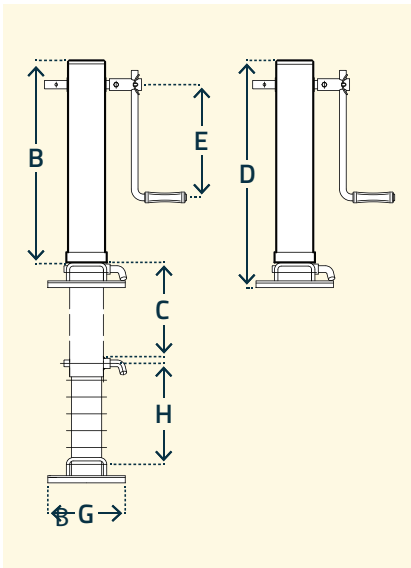
DESCRIPTION: Tandem jack  
Side handle  
Bracket mounting



Jacks set

Designed for agricultural machines and trailers, construction machinery, trailers and semi-trailers and aircraft docking systems

PART NO	TUBE	SCREW STROKE (mm)	UNIT kg	MAX STATIC LOAD (kg)	B mm	C mm	D mm	E mm	G mm	H mm	I mm
DG2800	90	350	51.8	6000	550		720	370	220		

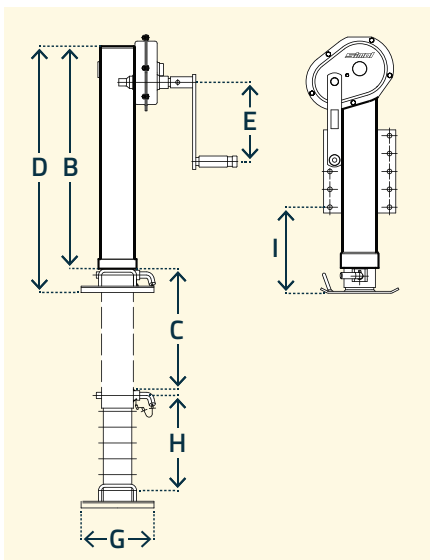


**TYPE:** K 450  
**DESCRIPTION:** Parking jack  
 Side handle  
 3 stage drop leg

**Landing gear for tandem trailers, three-stages, 2-position handle**

Designed for agricultural machines and trailers, construction machinery, maintenance and snowmaking and for trailers and semi-trailers

PART NO	TUBE	SCREW STROKE (mm)	UNIT kg	MAX STATIC LOAD (kg)	B mm	C mm	D mm	E mm	G mm	H mm	I mm
K450	110	310	32	4500	600	310	690	325	250	300	

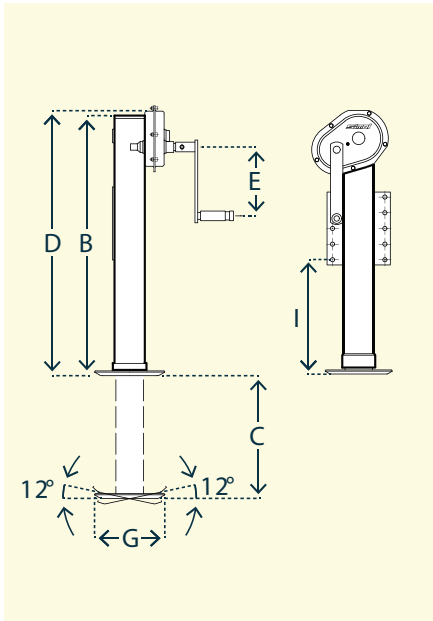


**TYPE:** KRA  
**DESCRIPTION:** Parking jack  
 Side handle  
 3 stage drop leg

**Landing legs for tandem trailers, 3 stage drop leg, gear box, 2-speed**

Designed for agricultural machines and trailers, construction machinery, maintenance and snowmaking, trailers and semi-trailers and aircraft docking systems

PART NO	TUBE	SCREW STROKE (mm)	UNIT kg	MAX STATIC LOAD (kg)	B mm	C mm	D mm	E mm	G mm	H mm	I mm
KRA750	110	420	43.2	10000	700	420	820	250	250	300	



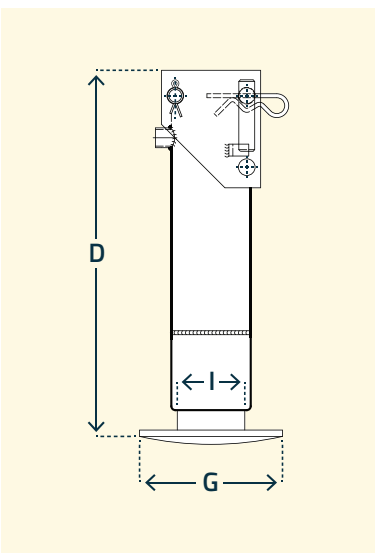
## TYPE: KRA 1200

DESCRIPTION: Landing leg  
Two speed  
Side handle  
With bracket

Landing legs for tandem trailers,  
gear box, double speed

Designed for agricultural machines and trailers, construction machinery, maintenance and snowmaking and for trailers and semi-trailers

PART NO	TUBE	SCREW STROKE (mm)	UNIT kg	MAX STATIC LOAD (kg)	B mm	C mm	D mm	E mm	G mm	H mm	I mm
KRA1200FL	110	450	45	10000	900	450	980	250	250		445



## TYPE: DH 713

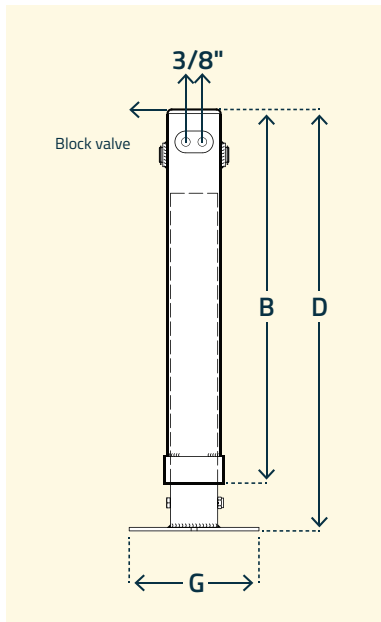
DESCRIPTION: Hydraulic tipping jack  
Single action  
Spring return

Tipping hydraulic jacks single acting,  
with spring return

Designed for agricultural machines and trailers

PART NO	TUBE	SCREW STROKE (mm)	UNIT kg	MAX STATIC LOAD (kg)	B mm	C mm	D mm	E mm	G mm	H mm	I mm
DH713	100	250	17.4	5470			445		180		85



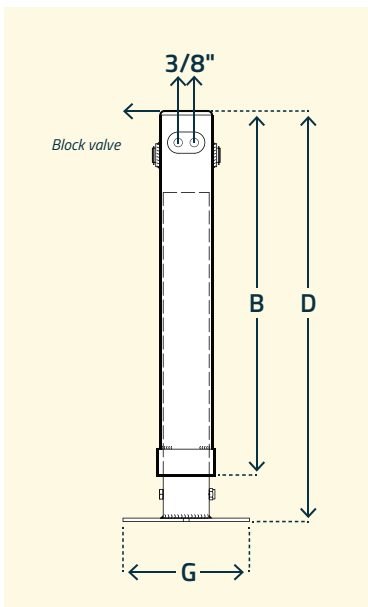


**TYPE: H 9**  
**DESCRIPTION:** Hydraulic jack  
 Double acting  
 Double safety valve

**Double-acting hydraulic jack with block valve, welded foot**

Designed for agricultural machines and trailers, caravans and car trailers, construction machinery and aircraft docking systems

PART NO	TUBE	SCREW STROKE (mm)	UNIT kg	MAX STATIC LOAD (kg)	B mm	C mm	D mm	E mm	G mm
H942	90	400	23	1950	630		720		220
H952	90	500	25	1950	730		820		220



**TYPE: H 10**  
**DESCRIPTION:** Hydraulic jack  
 Double acting  
 Double safety valve

**Double-acting hydraulic jack with block valve, welded foot**

Designed for agricultural machines and trailers, caravans and car trailers, construction machinery and aircraft docking systems

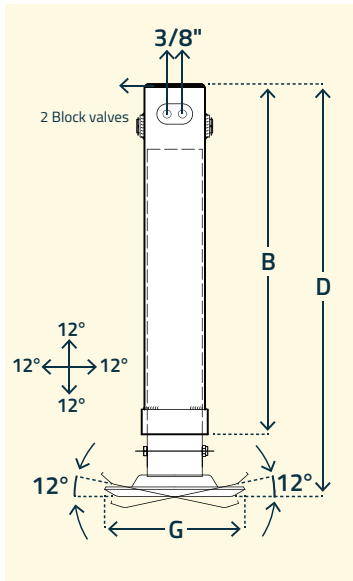
PART NO	TUBE	SCREW STROKE (mm)	UNIT kg	MAX STATIC LOAD (kg)	B mm	C mm	D mm	E mm	G mm
H1042	100	400	30	2800*	630		720		280
H1052	100	500	32.5	2800*	730		820		280
H1072	100	700	37.5	2800*	930		1010		280

\*Static Load Rating @ 150BAR - 4200KG \*Static Load Rating @ 200BAR - 5600KG

# TRAILER JACKS



TRAILER JACKS



**TYPE:** H 11  
**DESCRIPTION:** Hydraulic jack  
 Double acting  
 Double safety valve

**Double-acting hydraulic jack with block valve**

Designed for agricultural machines and trailers

PART NO	TUBE	SCREW STROKE (mm)	UNIT kg	MAX STATIC LOAD (kg)	B mm	C mm	D mm	E mm	G mm
H1142	110	400	39	3800*	635		750		250
H1152	110	500	41	3800*	735		850		250

\*Static Load Rating @ 150BAR - 5700KG    \*Static Load Rating @ 200BAR - 7600KG

our ideas, your solutions

caravans and trailers

trailers

snow cannons and building machines


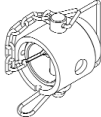





agricultural machines and trailers

SIMOL SPA - Codisotto di Luzzara - Reggio Emilia - Italy - [www.simol.com](http://www.simol.com)

MADE IN ITALY

# TRAILER JACK SPARE PARTS

## JACK ATTACHMENTS

 <p>JS101</p>	INTERNAL WELD ON BUSH SUITS ALL LT / SF SIMOL JACKS
 <p>JS102</p>	WELD-ON TUBE ASSEMBLY WITH PIN TO SUIT LT / ST / DG590 JACKS O.D. 63mm
 <p>JS103</p>	HEAVY DUTY WELD-ON TUBE MOUNT ASSEMBLY WITH PIN TO SUIT SIMOL DG706/DG7063SF JACKS O.D. 75mm
 <p>JS104</p>	PIN & CHAIN SUIT JS102 ASSEMBLY
 <p>JS105</p>	PIN & CHAIN SUIT JS103 ASSEMBLY
 <p>JS106</p>	WELD-ON SWIVEL MOUNT ASSEMBLY INCLUSIVE OF TWO PLATES, CIRCLIP AND PIN. SUITS LF AND SF TYPE JACKS
 <p>JS107</p>	HEAVY DUTY SWIVEL MOUNT TO SUIT DG590, DG 706, K450 RANGE OF SIMOL JACKS

## REPLACEMENT GEARS








 <p>JS201</p>	SIMOL REPLACEMENT GEARSET TO SUIT DG590Z / DG5903SF / LT3103 / LT3153 / LF3101 / LF3151
 <p>JS202</p>	SIMOL REPLACEMENT GEARSET TO SUIT DG706 / DG7063SF / DG706PE / DG706210
<p>JS203</p>	SIMOL REPLACEMENT GEARSET TO SUIT K450
 <p>JS204</p>	SIMOL REPLACEMENT GEARSET TO SUIT KRA1200 / KRA750

## WHEELS/EXTENSION TUBES/FEET

 <p>JS301</p>	JOCKEY WHEEL ONLY SUIT JW1 / JW2 / JW3
 <p>JS302</p>	JOCKEY WHEEL ONLY SUIT JW8
 <p>JS303</p>	DROP LEG SUITS DG5903SF / DG5903SF5
 <p>JS304</p>	DROP LEG SUIT DG7063SF
 <p>JS305</p>	SIMOL REPLACEMENT DROP LEG ASSEMBLY SUITS: KRA450
 <p>JS306</p>	SIMOL REPLACEMENT DROP LEG ASSEMBLY SUITS: KRA750
 <p>JS307</p>	DROP LEG PIN & CHAIN SUITS: DG5903SF
 <p>JS308</p>	DROP LEG PIN & CHAIN SUITS: DG7063SF
 <p>JS309</p>	DROP LEG PIN & CHAIN SUITS: K450, KRA750

# TRAILER JACK SPARE PARTS

## REPLACEMENT HANDLES

 <p>JS401</p>	HANDLE ASSEMBLY SUITS: JW1 / JW2 / JW8 / JW10
 <p>JS402</p>	HANDLE ASSEMBLY SUITS: LT3103 / LT3153 / LF3101 / LF3151 / DG590Z / DG5903SF
 <p>JS403</p>	HANDLE ASSEMBLY SUITS: ST3104 / ST3154 / ST3254
 <p>JS404</p>	HANDLE ASSEMBLY SUITS: DG5903SF19 / DG7063SF19
 <p>JS405</p>	HANDLE ASSEMBLY SUITS: DG706 / DG7063SF
 <p>JS406</p>	HANDLE ASSEMBLY SUITS: DG706Z10
 <p>JS407</p>	HANDLE ASSEMBLY SUITS: K450
 <p>JS408</p>	SIMOL REPLACEMENT HANDLE ASSEMBLY SUIT KRA1200 / KRA750
 <p>JS409</p>	HAND GRIP ONLY SUIT LT / LF / DG590 JACKS
 <p>JS410</p>	HAND GRIP ONLY SUIT DG706 / DG7063SF JACKS

## METAL/PLASTIC CAPS

 <p>JS501</p>	COVER GEARSET SUIT LT3103 / LT3153 / LF3101 / LF3151
 <p>JS502</p>	COVER GEARSET SUIT DG706 / DG7063SF / DG706PE
 <p>JS503</p>	CAP PLASTIC SUIT DG590 / DG5903SF / DG6003SF
 <p>JS504</p>	CAP PLASTIC SUIT K450 / KRA750 / KRA1200 / H1140 / H1150
 <p>JS505</p>	CAP PLASTIC SUIT H1040 / H1050 / H1070

## MISCELLANEOUS SPARES

 <p>JS601</p>	HANDLE ROLL PIN SUIT DG590Z / DG5903SF / LT3103 / LT3153 / LF3101 / LF3151 4mm x 28mm
 <p>JS602</p>	SCREW ROLL PIN SUIT DG590Z / DG5903SF / LT3103 / LT3153 / LF3101 / LF3151 4mm x 20mm
 <p>JS603</p>	BEARING SUIT DG590 / DG706 / LT / LF / ST

## TYPE:

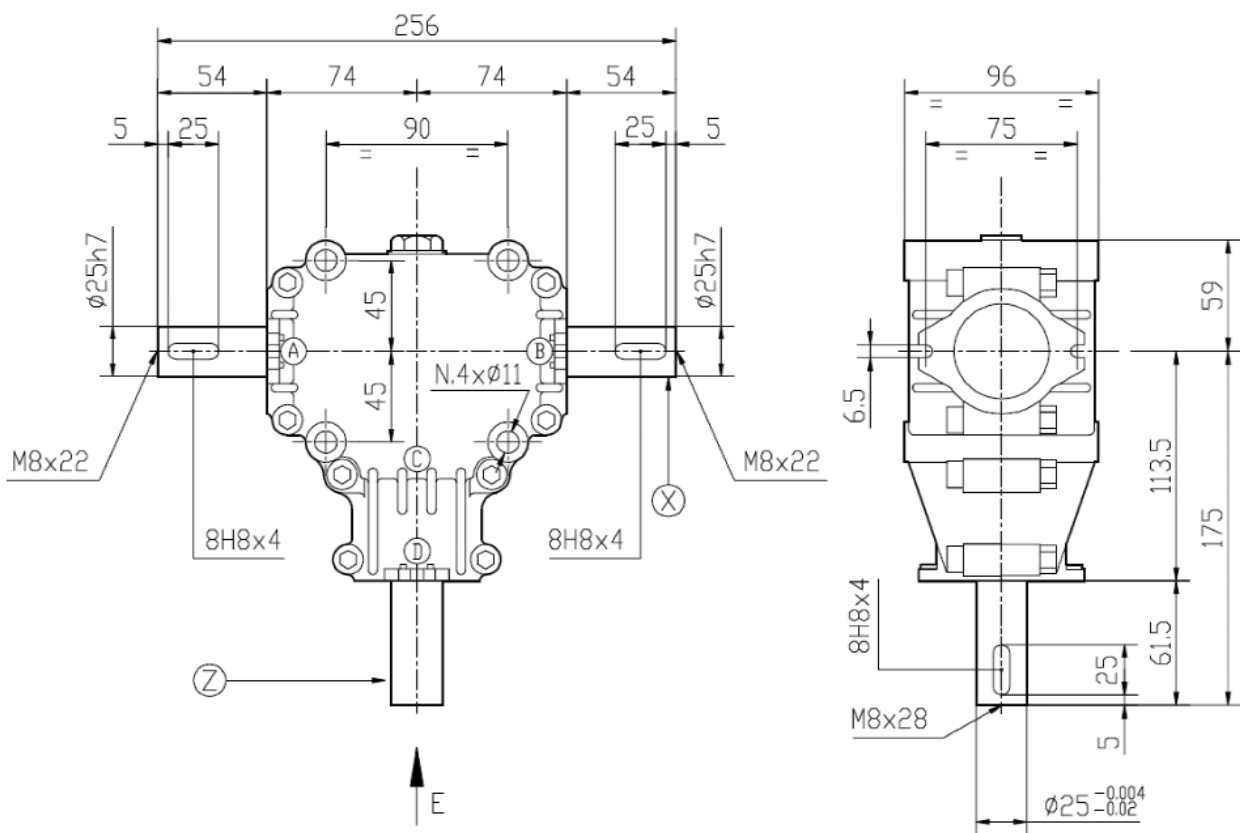
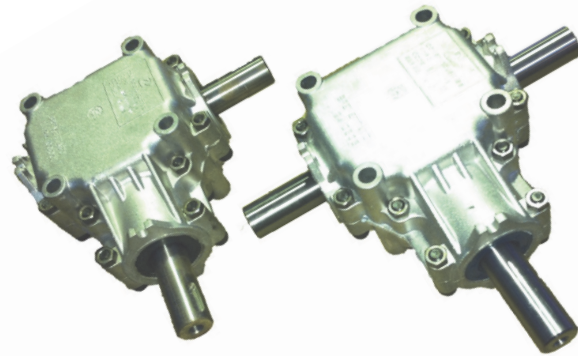
## L-25A

### APPLICATIONS

SAW BENCHES  
BELT SAWS  
MANURE SPREADERS  
VARIOUS OTHER USES

### SPECIFICATIONS

Lubrication: SAE 90EP Gear Oil  
Approx Weight: 5 kg



COMER NUMBER	OLD PART NUMBER	RATIO	RPM	HP	kW	NM TORQUE	X	SHAFTS Y	Z INPUT	ROTATION
9.124.005.30	AL01910	1:1	540	15	11	18.9	25mm		25mm	OPPOSITE
9.124.006.00	AL01911	1:1	540	15	11	18.9	25mm	25mm	25mm	
9.124.017.00		1:1	540	15	11	18.9	25mm	25mm	1 3/8 Z6	
9.124.800.30		1:1	540	15	11	18.9	25mm		1 3/8 Z6	OPPOSITE
9.124.016.10	AL01913	1.35:1	540	11	8.1	18.7	25mm	25mm	25mm	
9.124.020.10	AL01915	1.9:1	540	9.5	7	22.7	25mm	25mm	25mm	
9.124.022.00	AL01916	2.78:1	540	7	5.2	3.1	25mm	25mm	25mm	
9.124.111.01	AL01919	3.3:1	540	3	2.2	12.4	25mm	25mm	25mm	
9.124.032.20	AL01918	1:1.9	540	15	11	18.9	25mm	25mm	25mm	

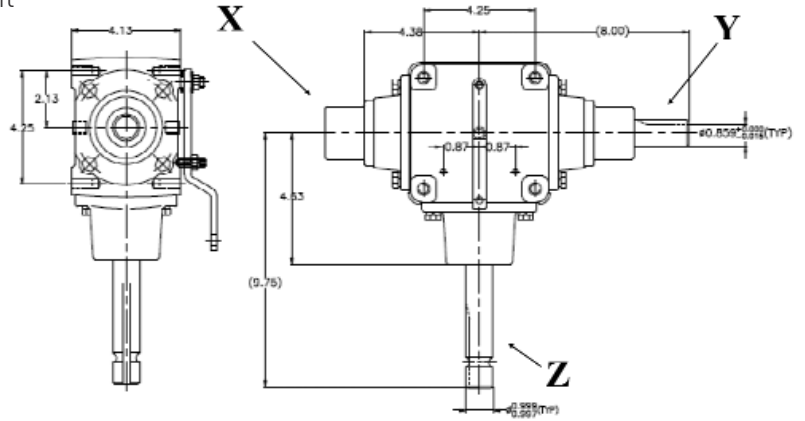
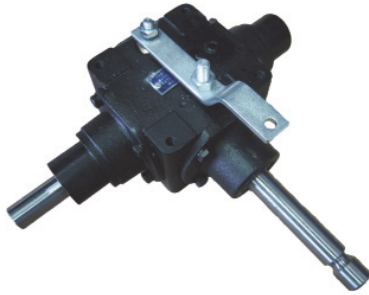
# GEARBOXES

## TYPE: 3290 Series

APPLICATIONS GRAIN AUGERS

### SPECIFICATIONS

Forward/Reverse Ratio: 1:1  
 Lubrication: SAE 90EP Gear Oil  
 Approx Weight: 14 kg



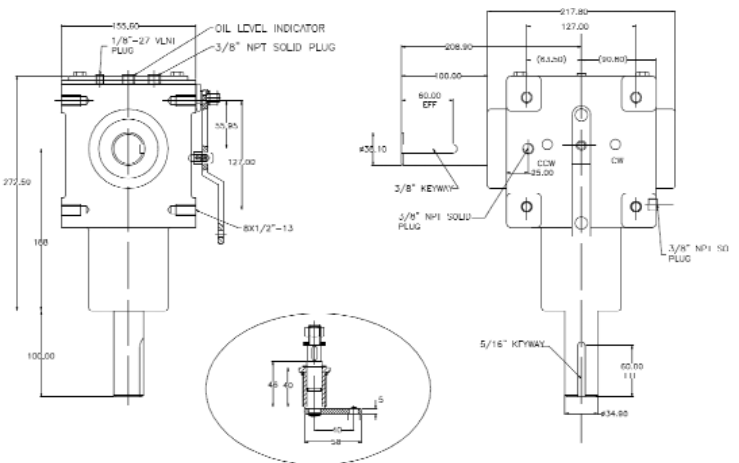
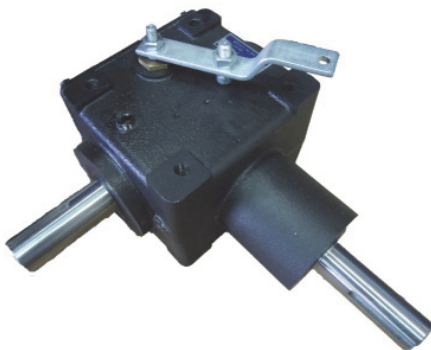
PART NUMBER	SERIES	RATIO	RPM	HP	KW	OUTPUT	X	SHAFTS Y	INPUT Z
AL02035	3290	1:1	540	15	11	Right Hand	-	25.4mm	25.4mm
AL02036	3290	1:1	540	15	11	Left Hand	25.4mm	-	25.4mm

## TYPE: 3941 Series

APPLICATIONS GRAIN AUGERS

### SPECIFICATIONS

Forward/Reverse Ratio: 1:1  
 Lubrication: SAE 90EP Gear Oil  
 Approx Weight: 26 kg

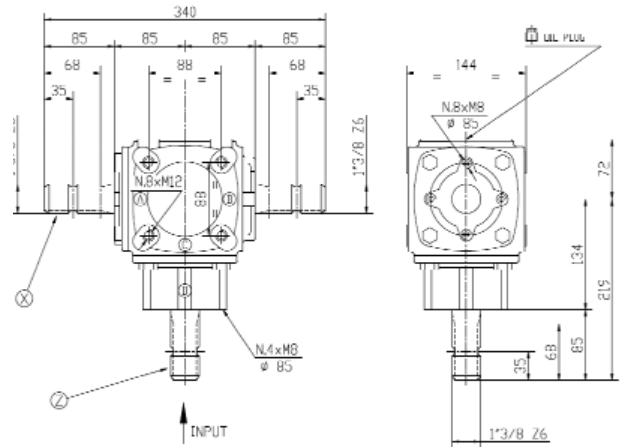


PART NUMBER	SERIES	RATIO	RPM	HP	KW	X	SHAFTS Y	INPUT Z
AL02042	3941	1:1	540	30	23.4	-	38.1mm	34.9mm

## TYPE: T-19

### APPLICATIONS SPECIFICATIONS

Lubrication: SAE 90EP Gear Oil  
 Approx Weight: 14 kg

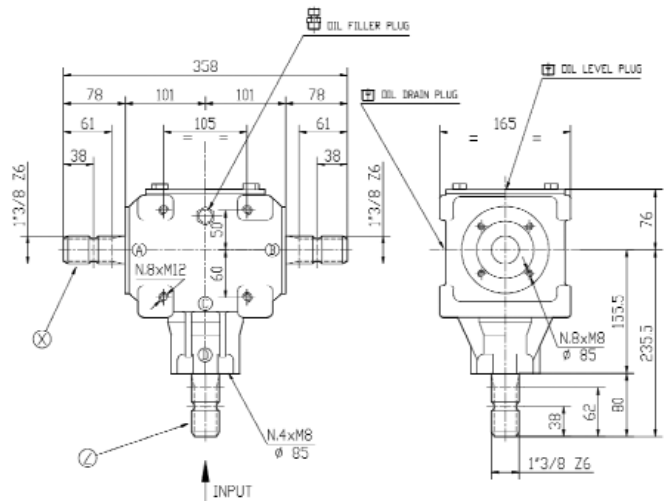


COMER NUMBER	OLD PART NUMBER	RATIO	RPM	HP	kW	NM TORQUE	SHAFTS		
							X	Y	Z INPUT
9.259.007.20	AL01933	1:1	540	36	26.5	41.6	1 3/8 Z6	1 3/8 Z6	1 3/8 Z6
9.259.016.30	AL01938	1:1	540	36	26.5	41.6	30mm	30mm	30mm
9.259.032.30	AL01947	1:1	540	36	26.5	41.6	30mm	30mm	1 3/8 Z6
9.259.871.20		1.46:1	540	23	16.9	42.3	36mm Fem/Hex	36mm Fem/Hex	1 3/8 Z6
9.259.013.00	AL01934	1.84:1	540	17	12.5	34.8	1 3/8 Z6	1 3/8 Z6	1 3/8 Z6
9.259.021.00	AL01941	1.84:1	540	17	12.5	34.8	30mm	30mm	30mm
9.259.037.00	AL01948	1.84:1	540	17	12.5	34.8	30mm	30mm	1 3/8 Z6

## TYPE: T-27

### APPLICATIONS SPECIFICATIONS

Bearings: Tapered Roller  
 Lubrication: SAE 90EP Gear Oil  
 Approx Weight: 21 kg

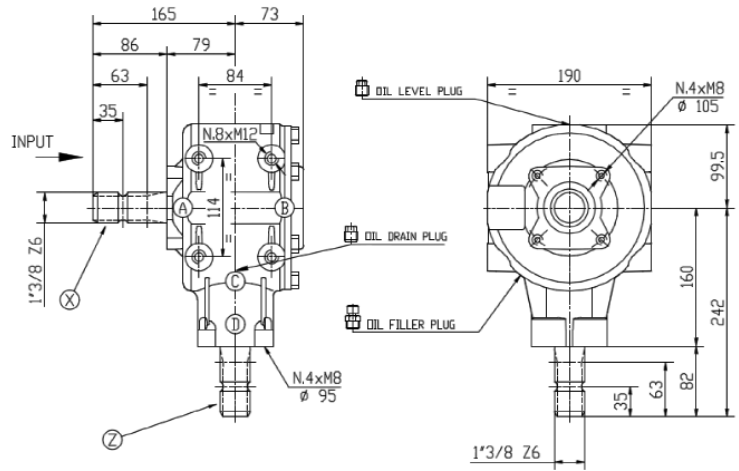


COMER NUMBER	OLD PART NUMBER	RATIO	RPM	HP	kW	NM TORQUE	SHAFTS		
							X	Y	Z INPUT
9.267.042.00	AL01953	1:1.46	540	52	38.3	41.6	1 3/8 Z6	1 3/8 Z6	1 3/8 Z6
9.267.023.00	AL01955	1:1.92	540	30	22.1	22.1	1 3/8 Z6	1 3/8 Z6	1 3/8 Z6
9.267.034.10		1:1.92	540	30	22.1	22.1	35mm	35mm	1 3/8 Z6
9.267.806.10	AL01952	1:1	540	55	40.4	40.4	1 3/8 Z6	1 3/8 Z6	1 3/8 Z6
9.267.507.00		1:1	540	55	40.5	40.5	36.2mm Fem/Hex	36.2mm Fem/Hex	1 3/8 Z6
9.267.872.20		1.46:1	540	40	29.4	29.4	41.25mm Fem/Hex	41.25mm Fem/Hex	1 3/8 Z6
9.267.248.00	AL01956	1.92:1	540	22	16.2	16.2	1 3/8 Z6	1 3/8 Z6	1 3/8 Z6

## TYPE: T-304A

### SPECIFICATIONS

Bearings: Tapered Roller  
 Lubrication: SAE 90EP Gear Oil  
 Approx Weight: 19 kg

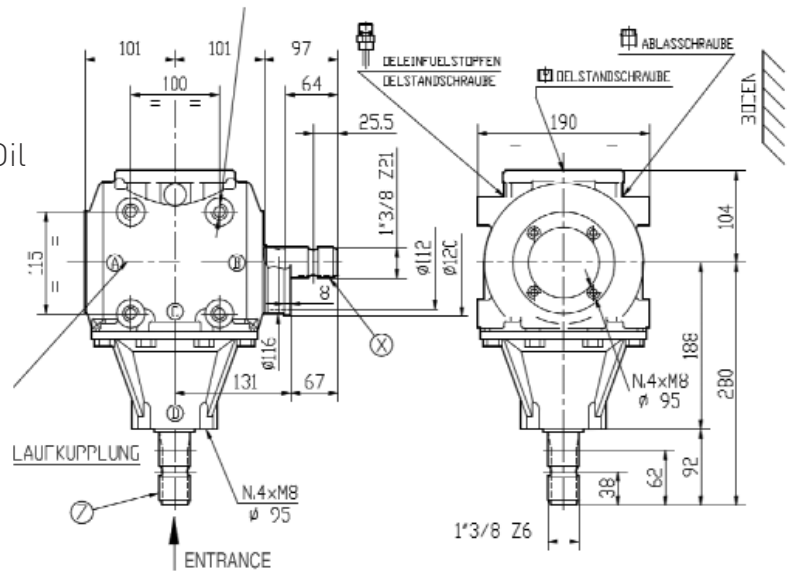


COMER NUMBER	RATIO	RPM	HP	kW	X	SHAFTS Y	Z INPUT
9.304.013.00	1:3	540	50	36.8	1 3/8 Z6	1 3/8 Z6	X
9.304.359.00	1:5.33	540	27	19.9	35mm	1 3/8 Z6	X
9.304.013.00	3:1	540	25	18.4	1 3/8 Z6	1 3/8 Z6	Z
9.304.359.00	5.33:1	540	13.5	9.9	35mm	1 3/8 Z6	Z
9.304.722.20	1:3	540	50	36.8	35mm EXT	1 3/8 Z6	1 3/8 Z6

## TYPE: T-278A

### SPECIFICATIONS

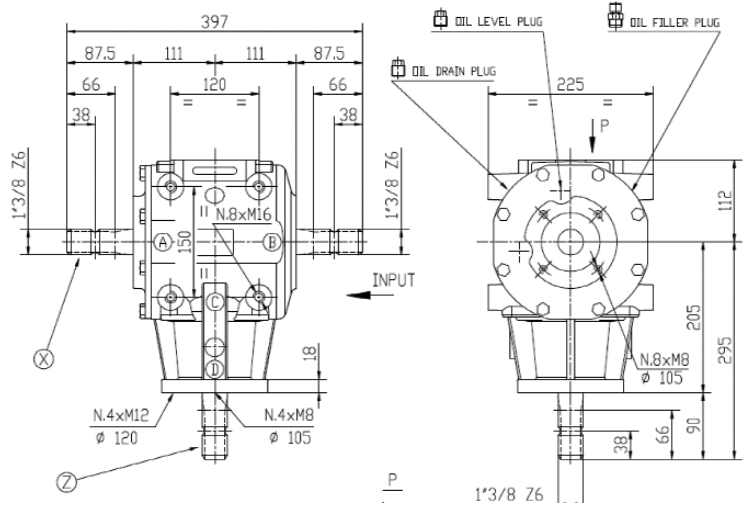
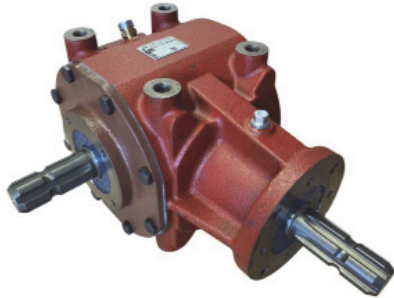
Bearings: Tapered Roller  
 Lubrication: SAE 90EP Gear Oil  
 Approx Weight: 24 kg



COMER NUMBER	RATIO	RPM	HP	kW	X	SHAFTS Y	Z INPUT
9.278.002.00	1:1	540	55	40.5	1 3/8 Z6	1 3/8 Z6	1 3/8 Z6
9.278.713.00	1:1	1000	80	59	1 3/8 Z21	-	1 3/8 Z6
9.278.007.10	1:9.1	540	45	33	1 3/8 Z6	-	1 3/8 Z6
9.278.013.10	2.91:1	540	45	33	1 3/8 Z6	-	1 3/8 Z6
9.278.014.10	2.91:1	540	45	33	1 3/8 Z6	1 3/8 Z6	1 3/8 Z6

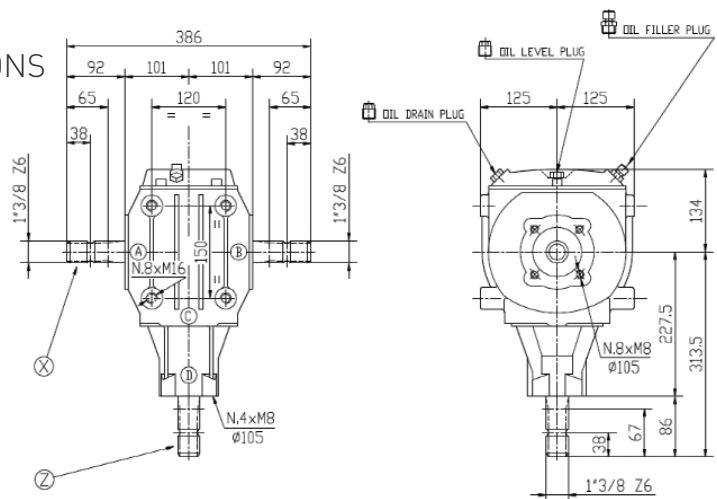


**TYPE:** T-290A  
**APPLICATIONS:** ROTARY TILLERS  
**SPECIFICATIONS:** Bearings: Tapered Roller  
 Lubrication: SAE 90EP Gear Oil  
 Approx Weight: 30 kg Gearbox Only



COMER NUMBER	RATIO	RPM	HP	kW	X	SHAFTS Y	Z
9.290.025.50	1:1	540	90	66.2	1 3/8 Z6	—	1 3/8 Z6
9.290.026.50	1:1	540	84	61.8	1 3/8 Z6	1 3/8 Z6	1 3/8 Z6
9.290.007.50	1.86:1	540	75	55.1	1 3/8 Z6	1 3/8 Z6	1 3/8 Z6
9.290.023.50	3:1	540	45	33	1 3/8 Z6	1 3/8 Z6	1 3/8 Z6

**TYPE:** T-22A  
**APPLICATIONS:** GENERAL APPLICATIONS  
**SPECIFICATIONS:** Bearings: Tapered Roller  
 Lubrication: SAE 90EP Gear Oil  
 Approx Weight: 29 kg



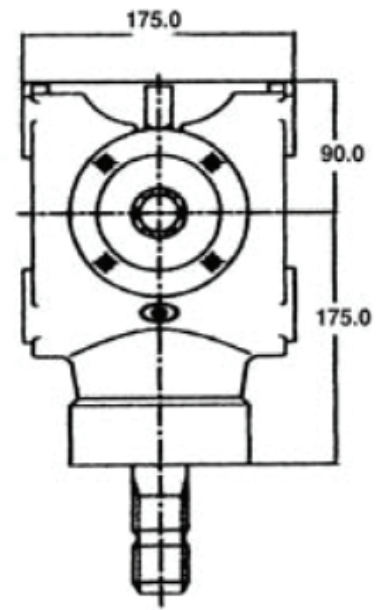
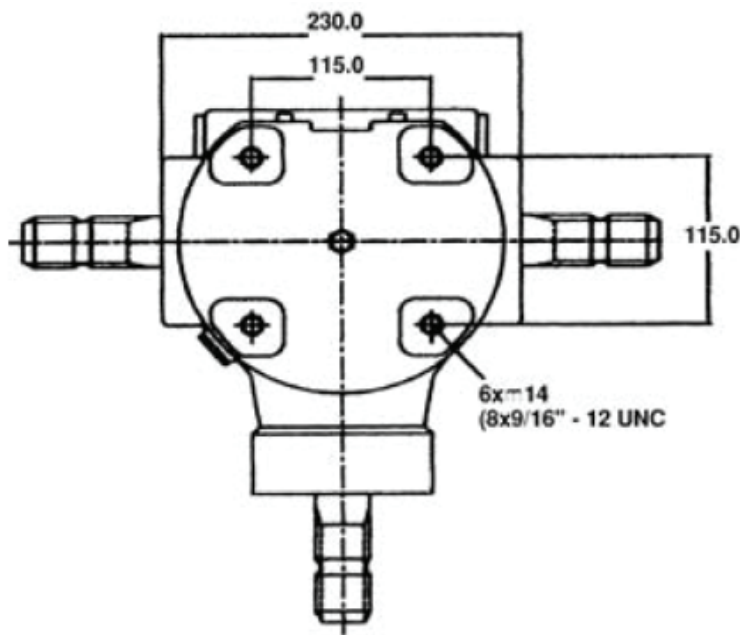
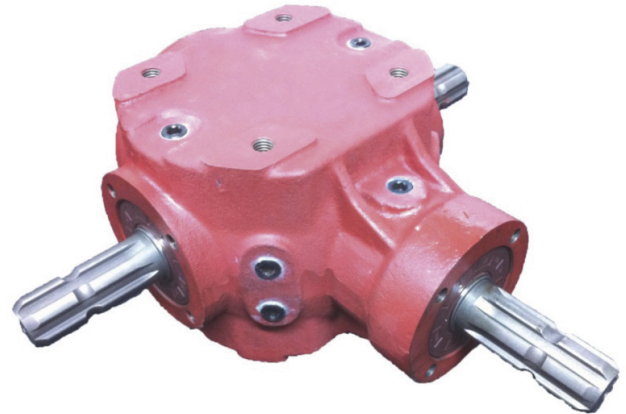
COMER NUMBER	RATIO	RPM	HP	kW	X	SHAFTS Y	Z
9.262.051.00	1.6:1	540	90	66.18	1 3/8 Z6	1 3/8 Z6	1 3/8 Z6
9.262.007.00	1.93:1	540	82	60.3	1 3/8 Z6	1 3/8 Z6	1 3/8 Z6
9.262.205.00	1.93:1	540	82	60.3	1 3/8 Z20	—	1 3/8 Z6
9.262.008.00	3:1	540	53	39	1 3/8 Z6	1 3/8 Z6	1 3/8 Z6
9.262.009.00	4.11:1	540	37	27.2	1 3/8 Z6	1 3/8 Z6	1 3/8 Z6
9.262.000.00	6.14:1	540	20	14.7	1 3/8 Z6	1 3/8 Z6	1 3/8 Z6

# GEARBOXES

## TYPE: SD 11 SERIES

**APPLICATIONS**  
 AUGERS  
 MOWERS  
 CHASER BINS

**SPECIFICATIONS**  
 Bearings: Tapered Roller  
 Lubrication: SAE 90EP Gear Oil  
 Approx Weight: 25 kg

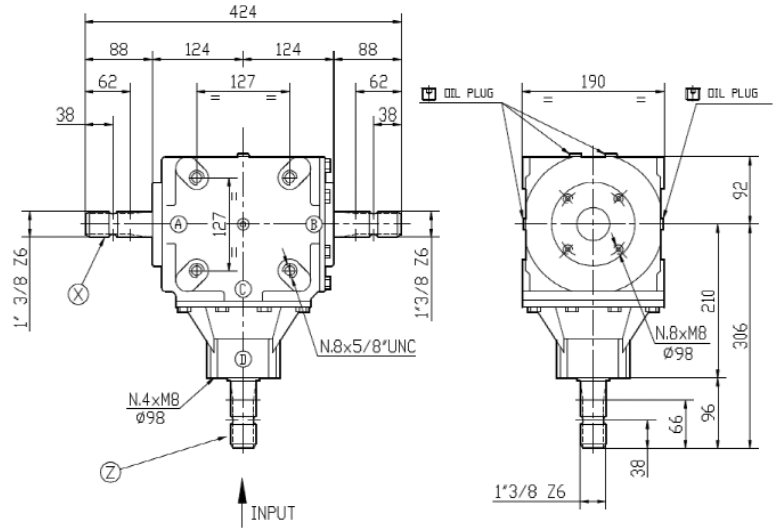
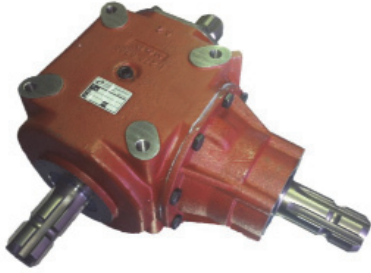


PART NUMBER	INPUT				OUTPUT			SHAFTS		
	RATIO	RPM	HP	Nm	Nm	RPM	OUTPUT	OUTPUT	OUTPUT	
AL01924	1:1	540	90	1171	1171	540	1 3/8 Z6	1 3/8 Z6	1 3/8 Z6	
		1000	135	948	948	1000	1 3/8 Z6	1 3/8 Z6	1 3/8 Z6	
AL01925	1:1.92	540	58	755	393	1037	1 3/8 Z6	1 3/8 Z6	1 3/8 Z6	
		1000	90	632	329	1920	1 3/8 Z6	1 3/8 Z6	1 3/8 Z6	
AL01926 4 SHAFTS	1:1.92	540	58	755	393	1037	1 3/8 Z6	1 3/8 Z6	1 3/8 Z6	
		1000	90	632	329	1920	1 3/8 Z6	1 3/8 Z6	1 3/8 Z6	

## TYPE: T-279A

### SPECIFICATIONS

Bearings: Tapered Roller  
 Lubrication: SAE 90EP Gear Oil  
 Approx Weight: 37 kg

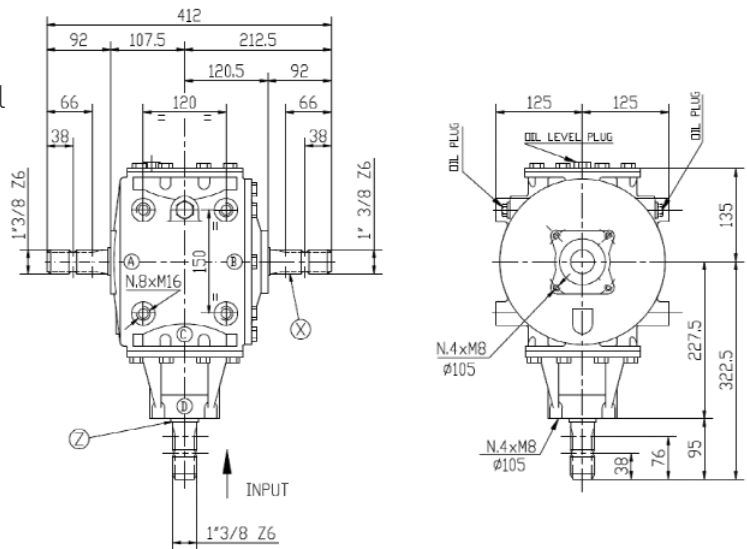
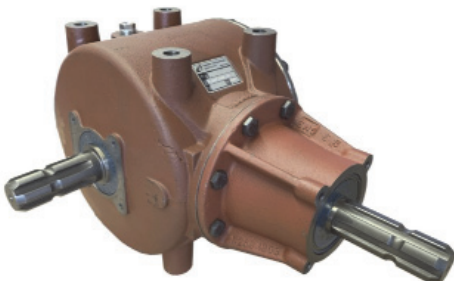


COMER NUMBER	RATIO	RPM	HP	kW	X	SHAFTS Y	Z INPUT
9.279.018.00	1:1.5	540	90	66.2	1 3/8 Z6	1 3/8 Z6	1 3/8 Z6
9.279.013.00	1:1	540	100	73.6	1 3/8 Z6	1 3/8 Z6	1 3/8 Z6
9.279.201.00	1:1	1000	140	101.5	1 3/4 Z6	1 3/4 Z6	1 3/4 Z6
9.279.015.00	1.5:1	540	80	58.9	1 3/8 Z6	1 3/8 Z6	1 3/8 Z6

## TYPE: T-269A

### SPECIFICATIONS

Bearings: Tapered Roller  
 Lubrication: SAE 90EP Gear Oil  
 Approx Weight: 48 kg

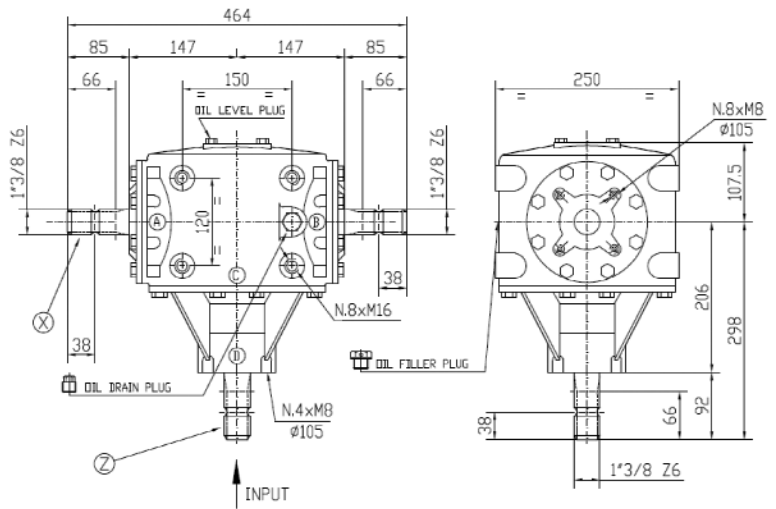
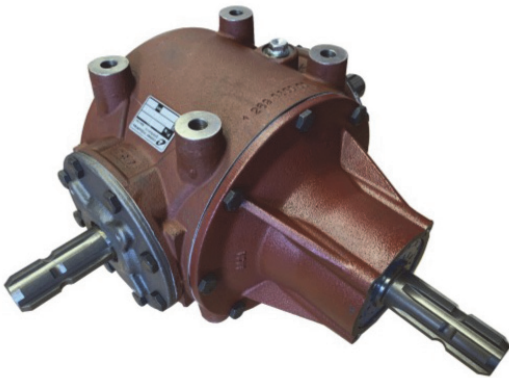


COMER NUMBER	RATIO	RPM	HP	kW	X	SHAFTS Y	Z INPUT
9.269.001.00	1:1	540	100	73.5	1 3/8 Z6	1 3/8 Z6	1 3/8 Z6

## TYPE: T-269B

### SPECIFICATIONS

Bearings: Tapered Roller  
 Lubrication: SAE 90EP Gear Oil  
 Approx Weight: 40 kg



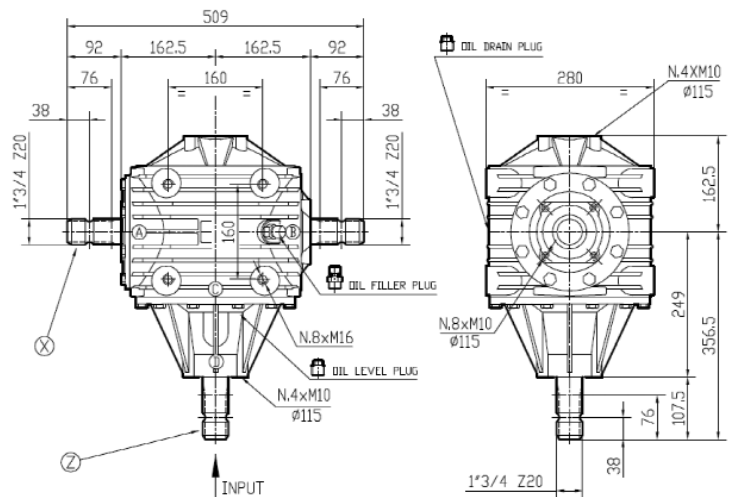
COMER NUMBER	RATIO	RPM	HP	kW	X	SHAFTS Y	Z INPUT
9.269.010.20	1:3	540	85	62.6	1 3/8 Z6	1 3/8 Z6	1 3/8 Z6
9.269.008.00	1:1.93	540	98	72.1	1 3/8 Z6	1 3/8 Z6	1 3/8 Z6
9.269.249.00	1:1.63	540	105	77.3	1 3/8 Z6	1 3/8 Z6	1 3/4 Z6*
9.269.032.20	1:1	540	100	73.5	1 3/8 Z6	1 3/8 Z6	1 3/8 Z6

\*FREE WHEEL ON INPUT SHAFT

## TYPE: T-301B

### SPECIFICATIONS

Bearings: Tapered Roller  
 Lubrication: SAE 90EP Gear Oil  
 Approx Weight: 61.5 kg

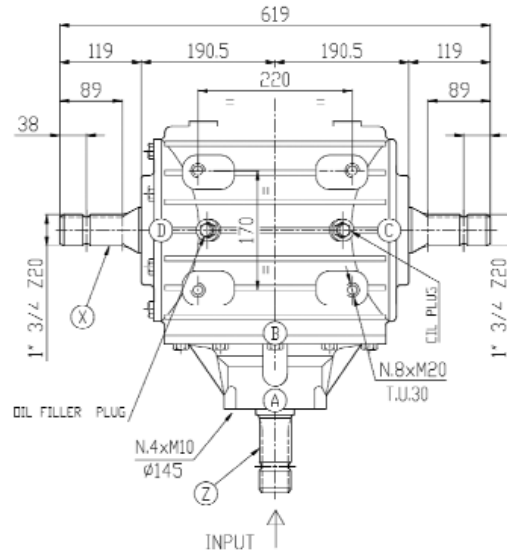


COMER NUMBER	RATIO	RPM	HP	kW	X	SHAFTS Y	Z INPUT
9.301.000.00	1:1	540	150	110	1 3/4 Z20	1 3/4 Z20	1 3/4 Z20
9.301.015.10	1:1.35	540	140	102.9	1 3/4 Z20	1 3/4 Z20	1 3/4 Z20
9.301.006.00	1:1.6	540	130	95	1 3/4 Z6	1 3/4 Z6	1 3/4 Z6
9.301.236.10	1:1.6	540	130	95	1 3/4 Z6	1 3/4 Z6	1 3/4 Z6 FREE WHEEL
9.301.024.00	1:1.93	1000	145	106	1 3/4 Z6	1 3/4 Z6	1 3/4 Z20
9.301.061.10	1.9:1	1000	145	106	1 3/4 Z20	1 3/4 Z20	1 3/4 Z20

## TYPE: T-331A

### SPECIFICATIONS

Bearings: Tapered Roller  
 Lubrication: SAE 90EP Gear Oil  
 Approx Weight: 105 kg

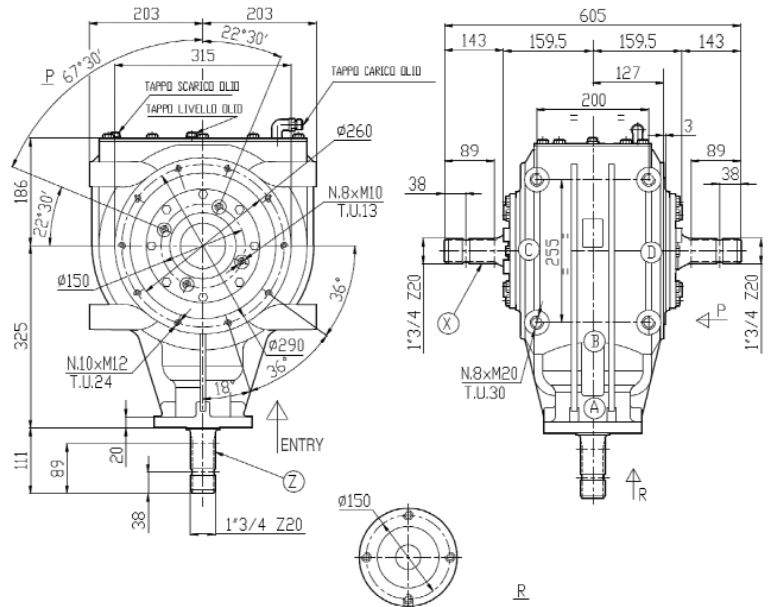


COMER NUMBER	RATIO	RPM	HP	kW	SHAFTS		
					X	Y	Z INPUT
9.331.019.00	1:1	540	240	176.5	1 3/4 Z20	1 3/4 Z20	1 3/4 Z20
9.331.006.00	1:1.53	1000	330	242	1 3/4 Z20	1 3/4 Z20	1 3/4 Z20

## TYPE: T-332A

### SPECIFICATIONS

Bearings: Tapered Roller  
 Lubrication: SAE 90EP Gear Oil  
 Approx Weight: 118 kg

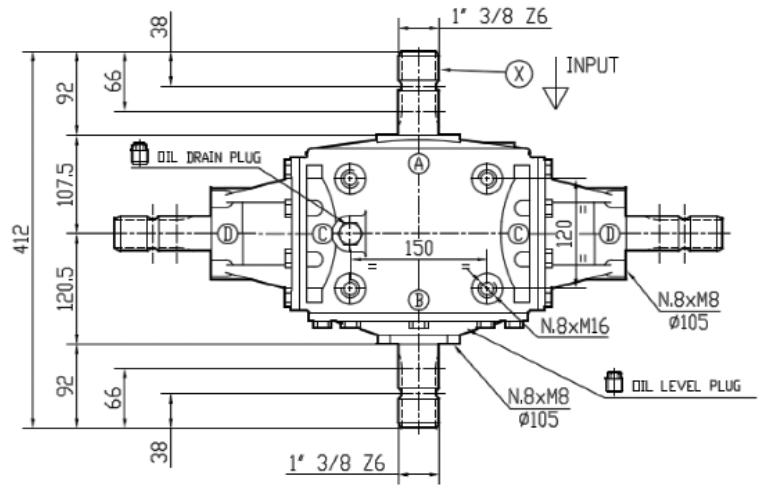
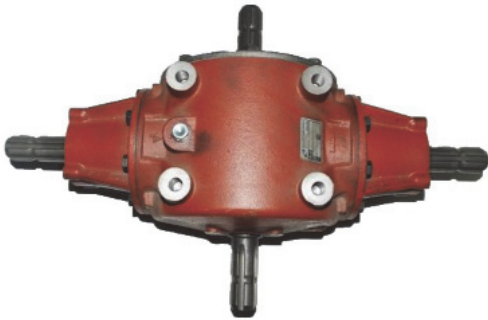


COMER NUMBER	RATIO	RPM	HP	kW	SHAFTS		
					X	Y	Z INPUT
9.332.000.20	1.94:1	540 1000	250 350	183.8 257.3	1 3/4 Z20	1 3/4 Z20	1 3/4 Z20
9.332.003.00	3.00:1	540 1000	170 240	125 176.4	1 3/4 Z20	1 3/4 Z20	1 3/4 Z20
9.332.002.00	4.25:1	540 1000	105 155	77.2 114	1 3/4 Z20	1 3/4 Z20	1 3/4 Z20

## TYPE: T-269A

### SPECIFICATIONS

Bearings: Tapered Roller  
 Lubrication: SAE 90EP Gear Oil  
 Approx Weight: 48 kg

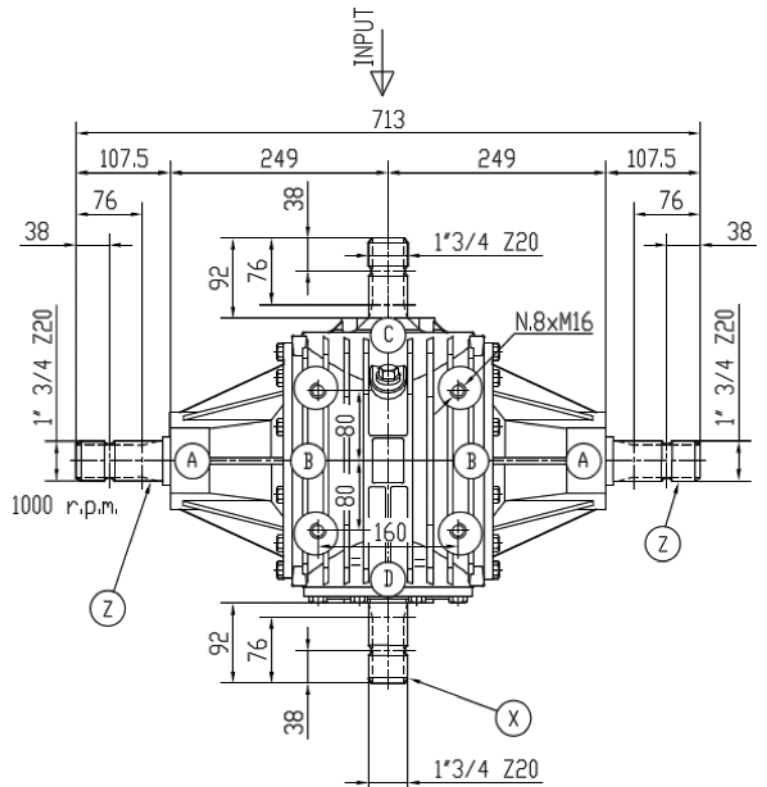


COMER NUMBER	RATIO	RPM	HP	KW	INPUT	SHAFTS Y	Z
9.269.040.10	1:1	540	105	77.2	1 3/8 Z6	1 3/8 Z6	1 3/8 Z6

## TYPE: T-301A

### SPECIFICATIONS

Bearings: Tapered Roller  
 Lubrication: SAE 90EP Gear Oil

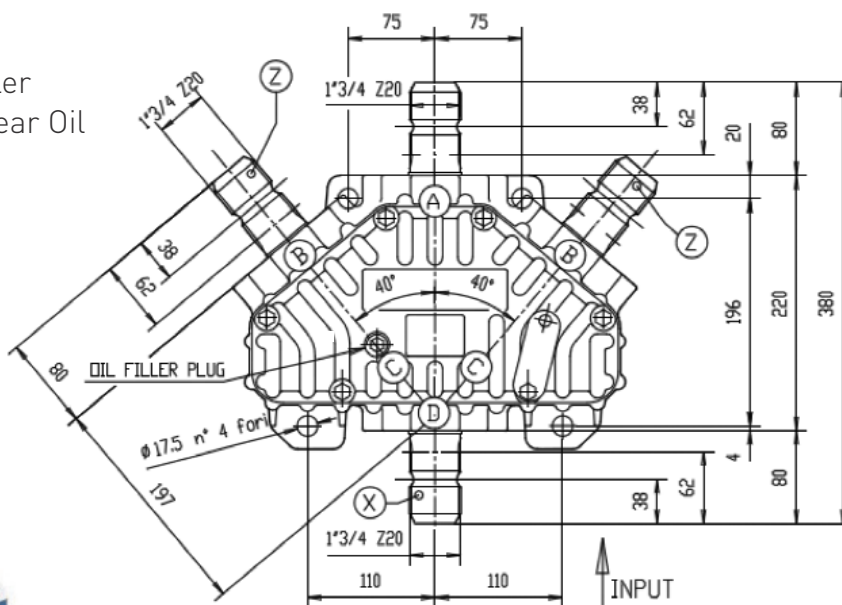


COMER NUMBER	RATIO	RPM	HP	KW	INPUT	SHAFTS Y	Z
9.301.287.00	1:1	1000	207	152	1 3/4 Z20	1 3/4 Z20	1 3/4 Z20

## TYPE: T-25A

### SPECIFICATIONS

Bearings: Tapered Roller  
 Lubrication: SAE 90EP Gear Oil  
 Approx Weight: 35.7 kg

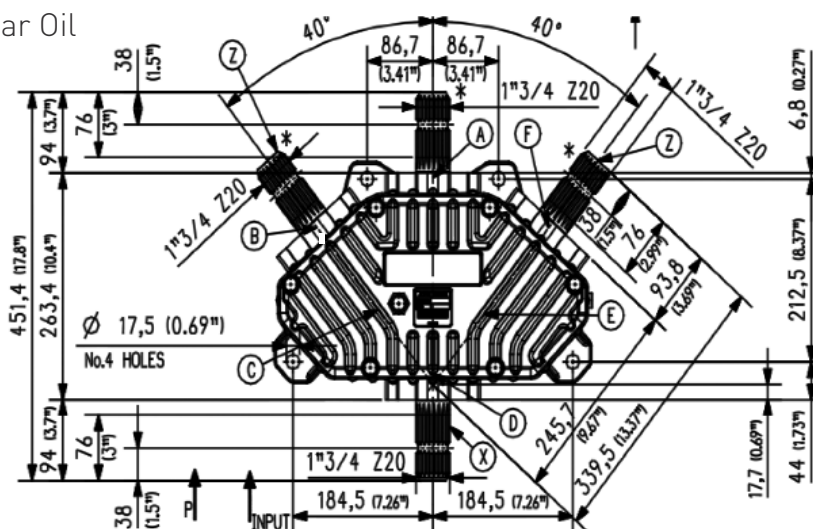


COMER NUMBER	RATIO	RPM	HP	kW	SHAFTS	
					X	Z
9.265.801.00	1:1.15	540	120	88	1 3/4 Z20	1 3/4 Z20

## TYPE: T-305J

### SPECIFICATIONS

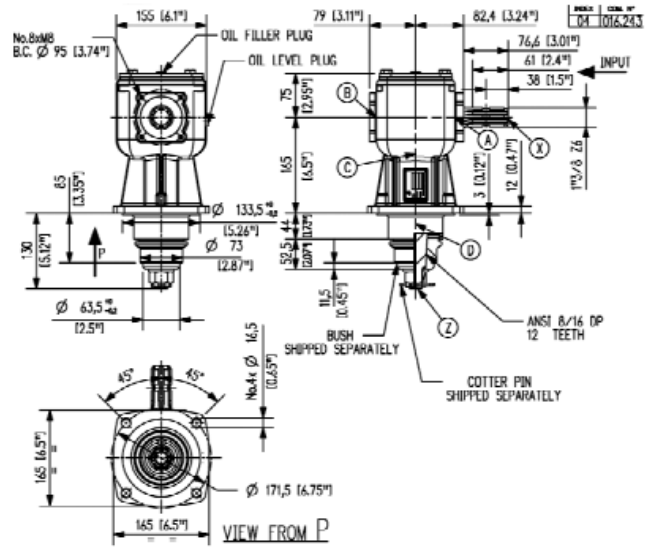
Bearings: Tapered Roller  
 Lubrication: SAE 90EP Gear Oil  
 Approx Weight: 46.5 kg



COMER NUMBER	RATIO	RPM	HP	kW	SHAFTS	
					X	Z
9.305.814.10	1:1.2	540	250	183.8	1 3/4 Z20	1 3/4 Z20

**TYPE:** **LF-205J**  
**APPLICATIONS** ROTARY CUTTERS  
 ROTARY SLASHERS  
 CHASER BINS

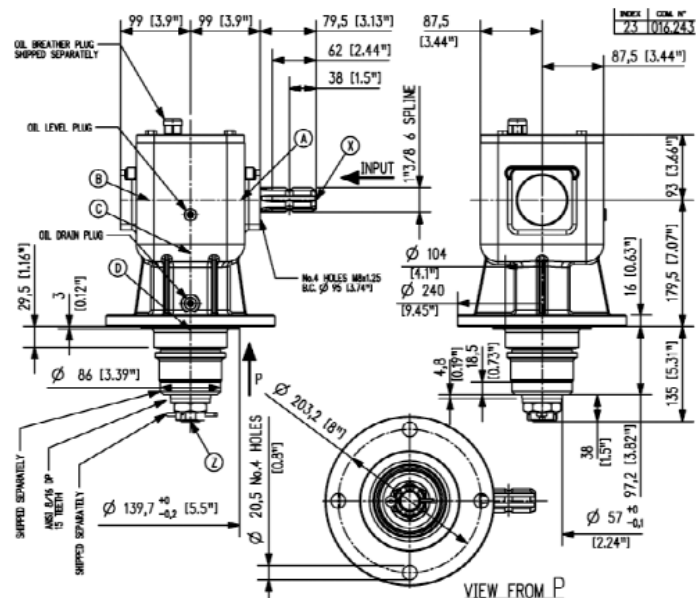
**SPECIFICATIONS**  
 Lubrication: SAE 90EP Gear Oil  
 Approx Weight: 16 kg



COMER NUMBER	RATIO	540 RPM		ROTATION	INPUT SHAFT
		HP	TORQUE		
9.205.805.00	1:1.92	30	**	Opposite	1 3/8" Z6
9.205.809.00	1:1.92	30	**	Dual	1 3/8" Z6, STRAIGHT THROUGH T/BOX

**TYPE:** **LF-140J**  
**APPLICATIONS** ROTARY CUTTERS  
 ROTARY SLASHERS  
 CHASER BINS

**SPECIFICATIONS**  
 Bearings: Tapered Roller  
 Lubrication: SAE 90EP Gear Oil  
 Approx Weight: 28 kg

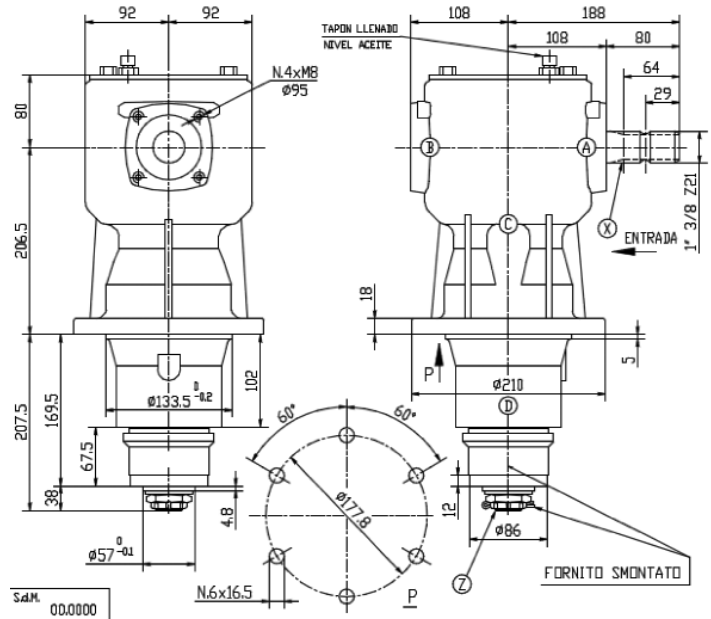


COMER NUMBER	RATIO	540 RPM		ROTATION	INPUT SHAFT
		HP	TORQUE		
9.140.804.20	1:1.92	60	**	Opposite	1 3/8" Z6
9.140.872.00	1:1.92	60	**	Dual	1 3/8" Z6, STRAIGHT THROUGH T/BOX
9.140.811.10	1:1.5	60	**	Opposite	1 3/8" Z6



**TYPE:** **LF-149B**  
**APPLICATIONS** ROTARY CUTTERS  
 ROTARY SLASHERS  
 CHASER BINS

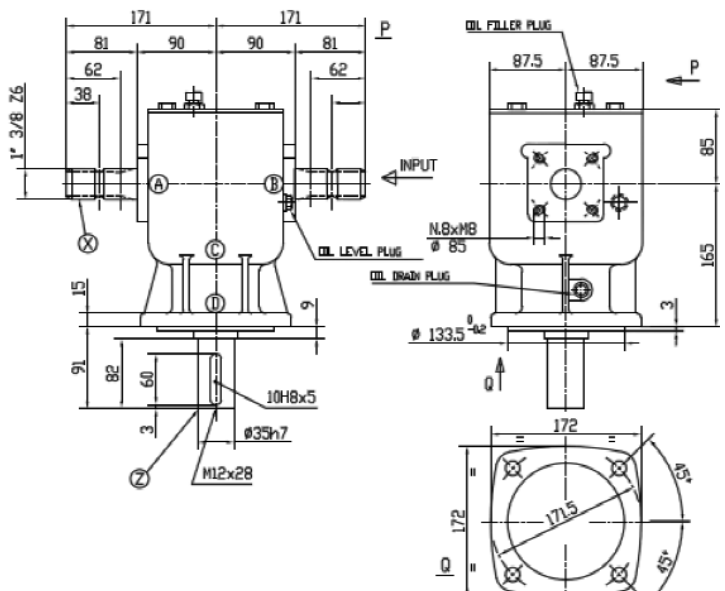
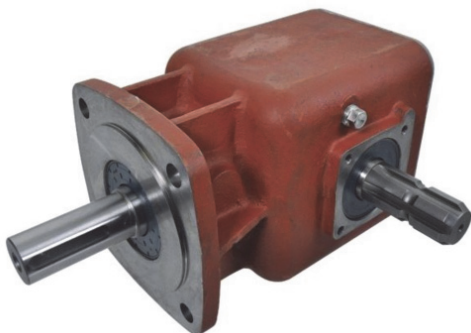
**SPECIFICATIONS**  
 Bearings: Tapered Roller  
 Lubrication: SAE 90EP Gear Oil  
 Approx Weight: 32 kg



COMER NUMBER	RATIO	RPM	HP	kW	INPUT SHAFT
9.149.033.00	1:1	540	55	41	1 3/8 Z21
9.149.008.10	1:1.5	540	70	51.5	1 3/8 Z6
9.149.016.00	1:1.83	540	75	55.1	1 3/8 Z6

**TYPE:** **LF-151A**  
**APPLICATIONS** ROTARY CUTTERS  
 ROTARY SLASHERS  
 CHASER BINS

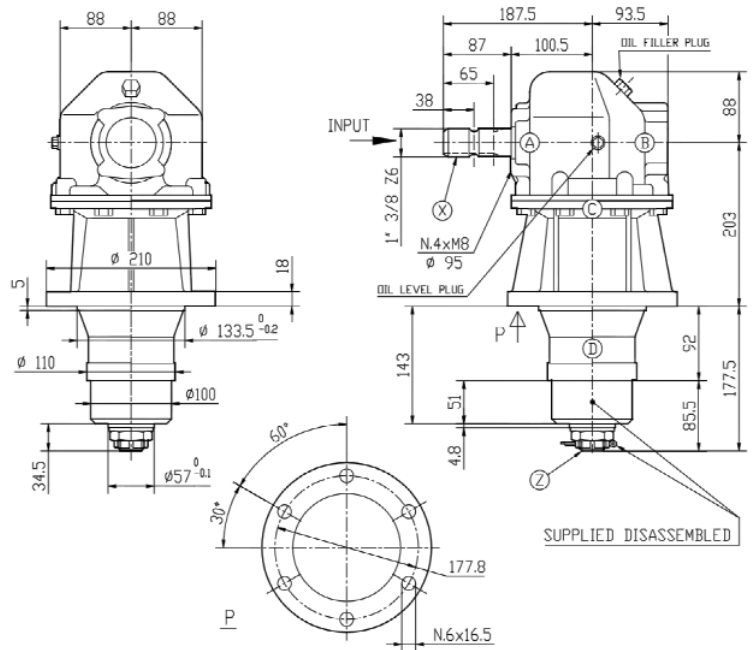
**SPECIFICATIONS**  
 Bearings: Tapered Roller  
 Lubrication: SAE 90EP Gear Oil  
 Approx Weight: 21.5 kg



COMER NUMBER	RATIO	RPM	HP	kW	X	SHAFTS Y	INPUT
9.151.012.00	1:3	540	48	35.3	1 3/8 Z6	35mm	1 3/8 Z6

**TYPE:** LF-32A  
**APPLICATIONS:** ROTARY CUTTERS  
 ROTARY SLASHERS  
 CHASER BINS

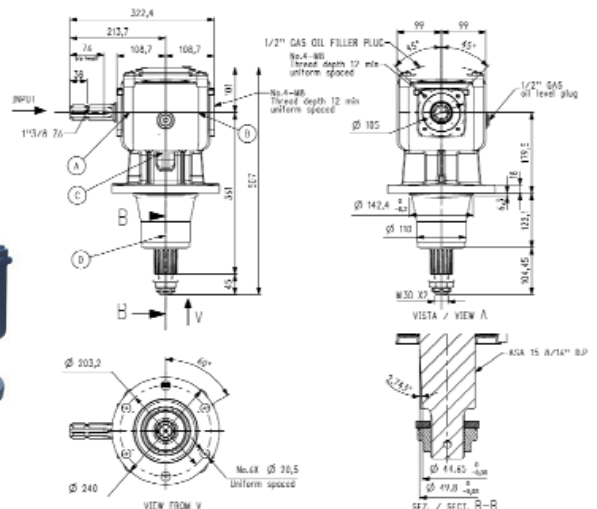
**SPECIFICATIONS:**  
 Bearings: Tapered Roller  
 Lubrication: SAE 90EP Gear Oil  
 Approx Weight: 30 kg



COMER NUMBER	RATIO	RPM	HP	kW	ROTATION	SHAFTS X
9.132.007.20	1:1	540	60	44.1	Opposite	1 3/8 Z6
9.132.010.00	1:1	540	60	44.1	Dual	1 3/8 Z6 THROUGH SHAFT
9.132.002.20	1:1.5	540	60	44.1	Opposite	1 3/8 Z6
9.132.003.00	1:1.93	540	60	44.1	Opposite	1 3/8 Z6

**TYPE:** LF-227J  
**APPLICATIONS:** ROTARY CUTTERS  
 ROTARY SLASHERS  
 CHASER BINS

**SPECIFICATIONS:**  
 Bearings: Tapered Roller  
 Lubrication: SAE 90EP Gear Oil  
 Approx Weight: 39.3 kg



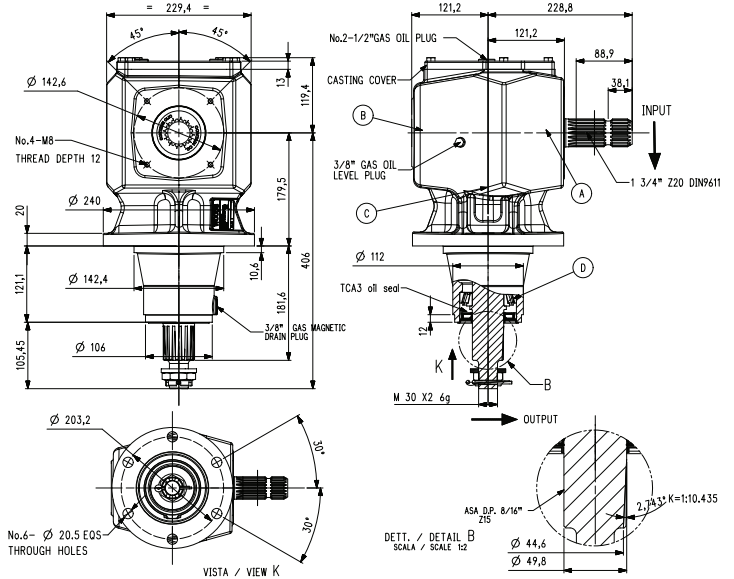
COMER NUMBER	RATIO	540 RPM		ROTATION	INPUT SHAFT
		HP	OUTPUT TORQUE		
9.227.803.00	1:1	75	94.6	Opposite	1 3/8" Z6
9.227.801.00	1:1.46	75	65.6	Opposite	1 3/8" Z6
9.227.804.00	1:1.83	75	51.7	Opposite	1 3/8" Z6

**TYPE:**  
APPLICATIONS

**U-100J**  
ROTARY CUTTERS  
ROTARY SLASHERS  
CHASER BINS

**SPECIFICATIONS**

Bearings: Tapered Roller  
Lubrication: SAE 90EP Gear Oil  
Approx Weight: 45.3 kg



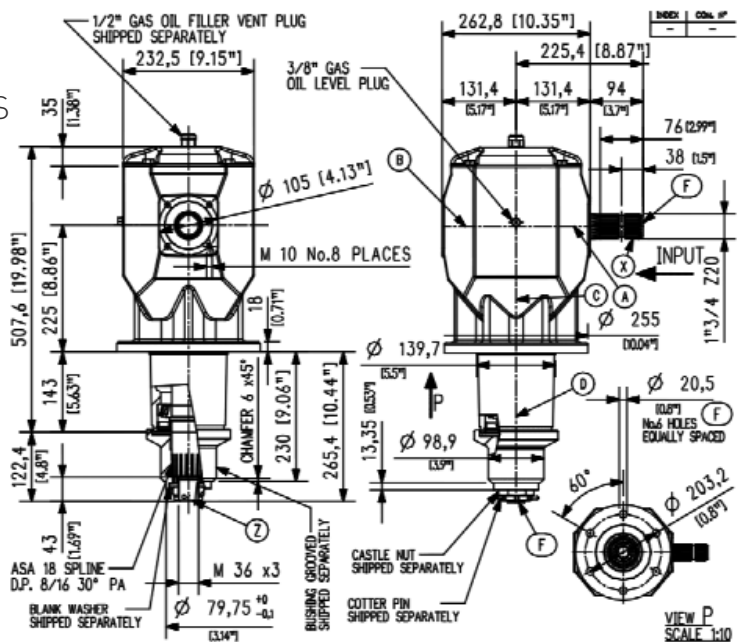
COMER NUMBER	RATIO	HP	ROTATION	INPUT SHAFT
9.100.805.10	1:1.83	100 @ 540 r.p.m.	Opposite	1 3/4" Z20
9.100.811.10	1:1	100 @ 740 r.p.m.	Opposite	1 3/4" Z20

**TYPE:**  
APPLICATIONS

**U-125**  
ROTARY CUTTERS  
ROTARY SLASHERS  
CHASER BINS

**SPECIFICATIONS**

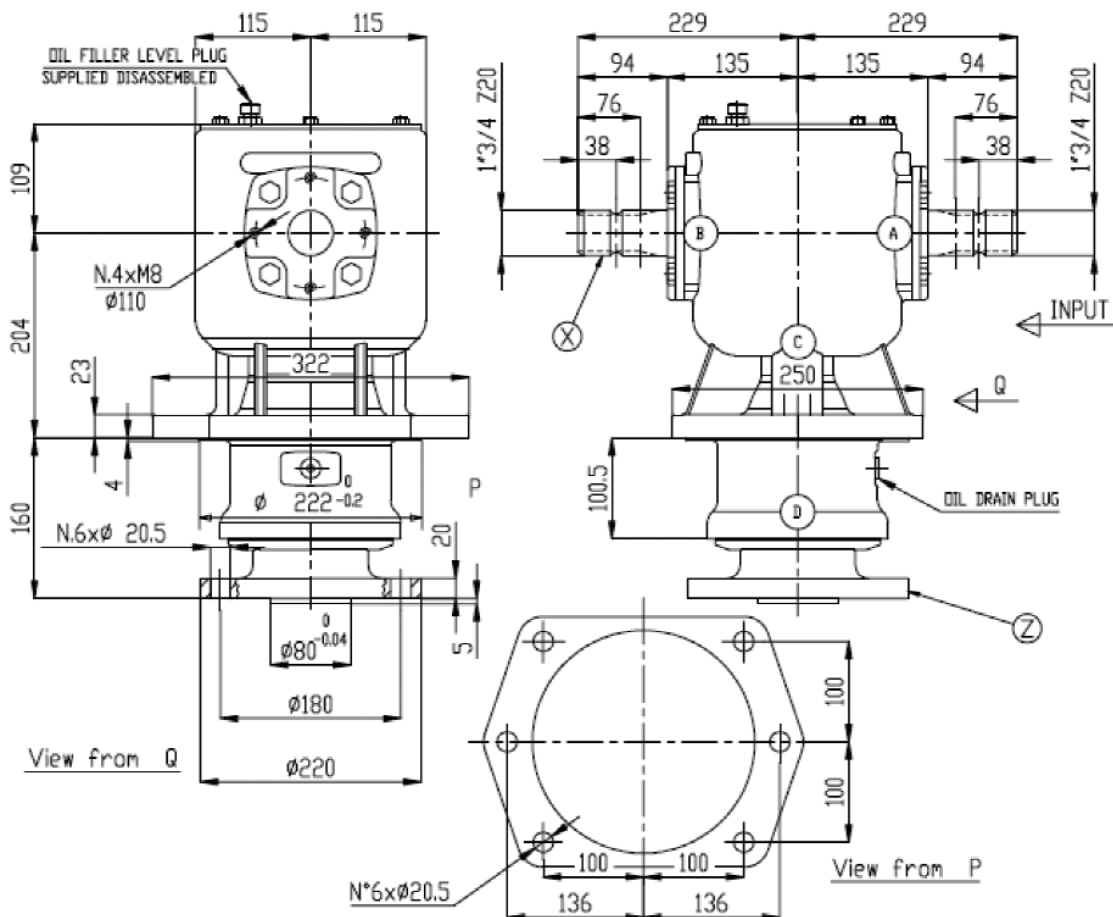
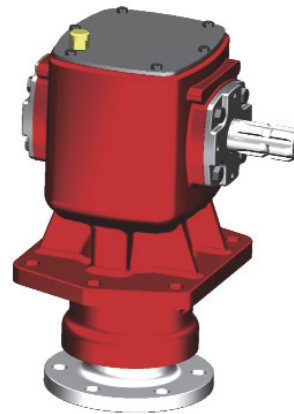
Bearings: Tapered Roller  
Lubrication: SAE 90EP Gear Oil  
Approx Weight: 65 kg



COMER NUMBER	RATIO	RPM	HP	kW	ROTATION	INPUT Z
9.125.872.00	1:1	540	125	92	Opposite	1 3/4" Z20
9.125.873.00	1:1.375	540	125	92	Opposite	1 3/4" Z20
9.125.874.00	1:1.77	540	125	92	Opposite	1 3/4" Z20

**TYPE:** LF-171A  
**APPLICATIONS:** ROTARY CUTTERS  
 ROTARY SLASHERS  
 CHASER BINS

**SPECIFICATIONS:**  
 Bearings: Tapered Roller  
 Lubrication: SAE 90EP Gear Oil  
 Approx Weight: 72.5 kg

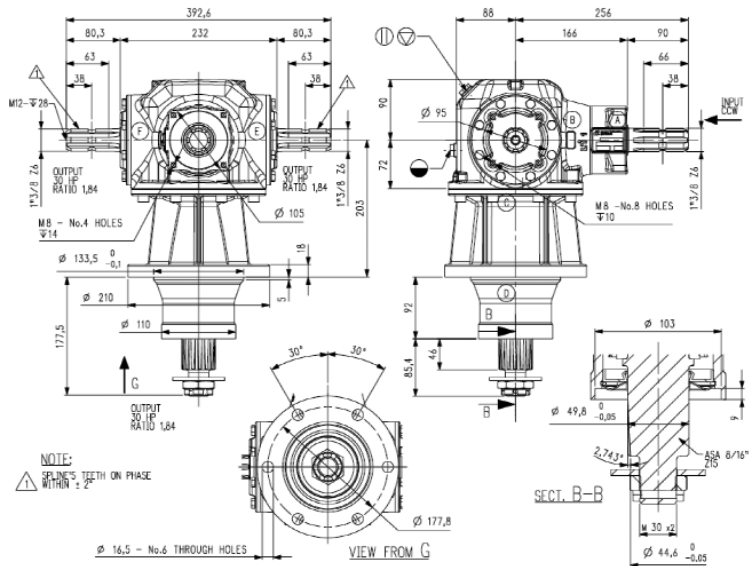


COMER NUMBER	RATIO	540 RPM		TYPE	ROTATION	INPUT SHAFT
		HP	OUTPUT			
			TORQUE			
9.171.004.00	1:1	150	102.1	L BOX	Opposite	1 3/4 Z20
9.171.006.00	1:1	150	102.1	THRU SHAFT	Dual	1 3/4 Z20
9.171.005.00	1:1.42	120	99.8	L BOX	Opposite	1 3/4 Z20
9.171.007.00	1:1.42	120	99.8	THRU SHAFT	Dual	1 3/4 Z20
9.171.003.00	1:1.93	110	80.9	L BOX	Opposite	1 3/4 Z6

**TYPE:** TF-26A  
**APPLICATIONS** ROTARY CUTTERS  
 ROTARY SLASHERS

**SPECIFICATIONS**

Bearings: Tapered Roller  
 Lubrication: SAE 90EP Gear Oil  
 Approx Weight: 34 kg

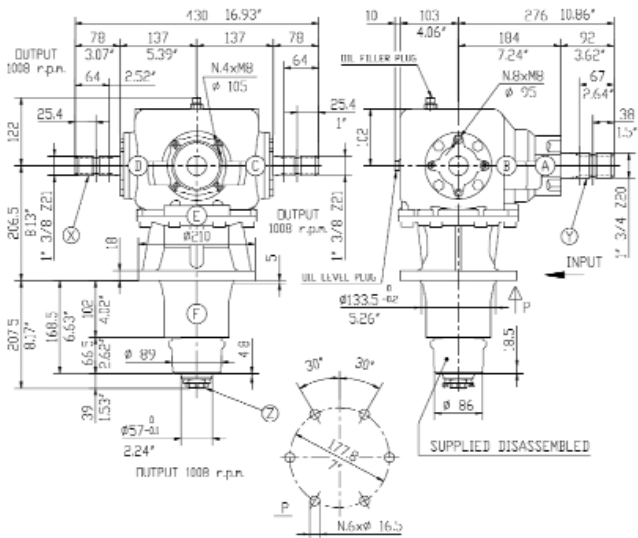


COMER NUMBER	RATIO	540 RPM		TYPE	ROTATION	INPUT SHAFT
		HP	OUTPUT TORQUE			
9.266.012.10	1:1.84	90		4 WAY	Opposite	1 3/8 Z6
* Matching outer gearbox LF32A						

**TYPE:** TF-285A  
**APPLICATIONS** ROTARY CUTTERS  
 ROTARY SLASHERS

**SPECIFICATIONS**

Bearings: Tapered Roller  
 Lubrication: SAE 90EP Gear Oil  
 Approx Weight: 49.8 kg



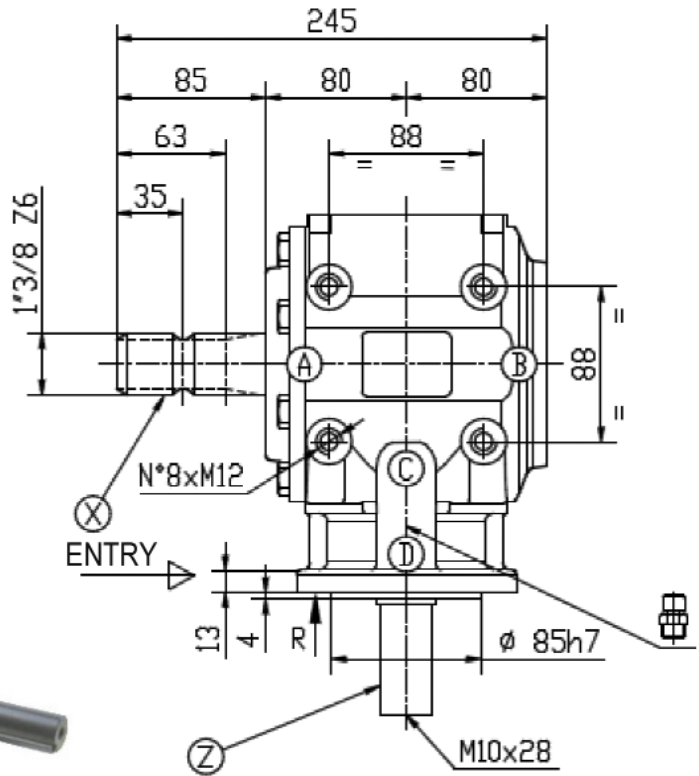
COMER NUMBER	RATIO	540 RPM		TYPE	ROTATION	INPUT SHAFT
		HP	OUTPUT TORQUE			
9.285.013.10	1:1.86	125		4 WAY	Opposite	1 3/4 Z20
* Matching outer gearbox LF149B						

## TYPE: T-310A

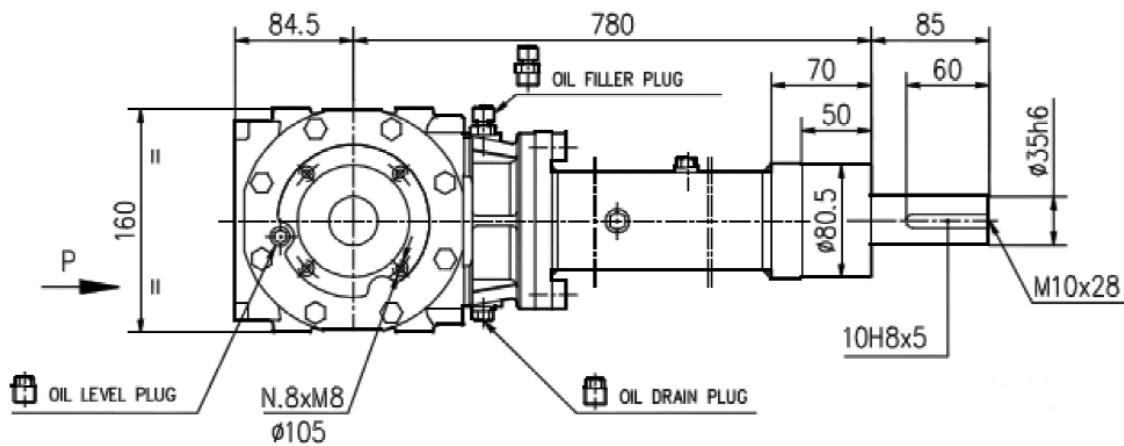
### APPLICATIONS SPECIFICATIONS

Lubrication: SAE 90EP Gear Oil  
 Approx Weight: 18 kg Gearbox

GEARBOXES

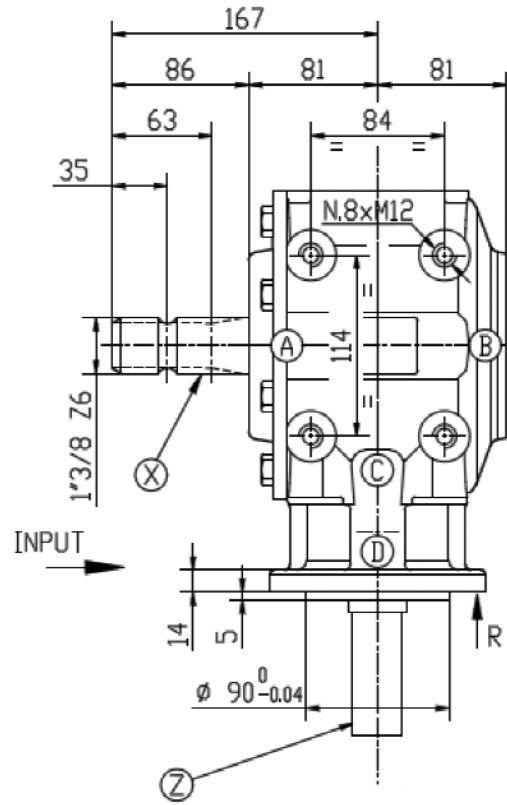


COMER NUMBER	RATIO	RPM	HP	kW	X	SHAFTS Z	INPUT
9.310.701.00	1:1.93	540	40	29.4	1 3/8 Z6	33mm	X
9.310.870.10	1:3	540	30	22.1	1 3/8 Z6	33mm	X Through-Shaft



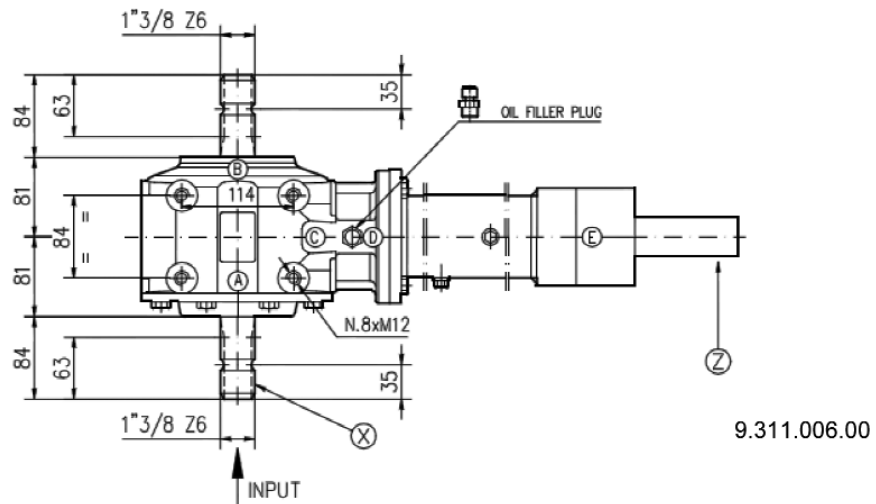
ASSEMBLED COMER NUMBER	GEARBOX CODE	EXTENSION CODE	EXTENSION LENGTH (L)	OUTPUT SHAFT
9.310.033.10	9.310.701.00	9.310.500.00	430mm	35mm

**TYPE:** T-311J  
**APPLICATIONS:** ROTARY TILLERS  
**SPECIFICATIONS:**  
 Lubrication: SAE 90EP Gear Oil  
 Approx Weight: 20.2 kg Gearbox Only



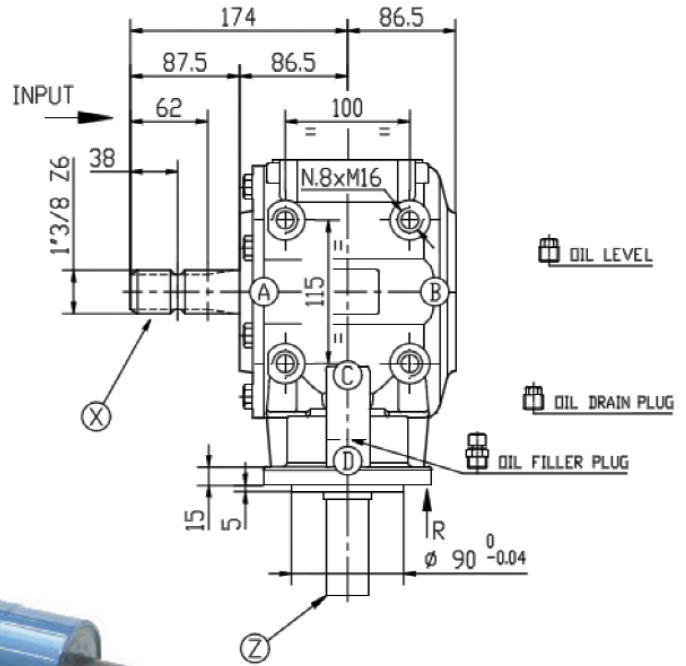
COMER NUMBER	RATIO	RPM	HP	kW	X	SHAFTS Z	INPUT
9.311.703.00	1:1.93	540	55	44.4	1 3/8 Z6	33mm	X THROUGH SHAFT
9.311.704.00	1:3	540	50	36.8	1 3/8 Z6	33mm	X THROUGH SHAFT
9.311.874.20 *	1:3	540	50	36.8	1 3/8 Z6	33mm	X
9.311.753.00	1:3	540	50	36.8	1 3/8 Z6	33mm	X

\* FREE WHEEL GEARBOX

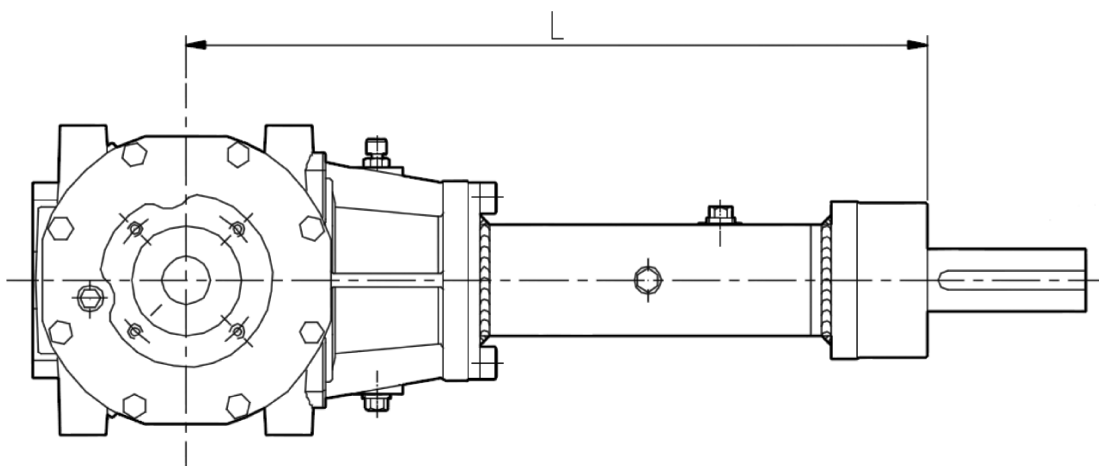


ASSEMBLED COMER NUMBER	GEARBOX CODE	EXTENSION CODE	EXTENSION LENGTH	OUTPUT SHAFT
9.311.006.00	9.311.704.00	9.312.500.00	615mm	40mm
9.311.016.00	9.311.703.00	9.312.503.00	780mm	40mm

**TYPE:** T-312A  
**APPLICATIONS:** ROTARY TILLERS  
**SPECIFICATIONS:**  
 Lubrication: SAE 90EP Gear Oil  
 Approx Weight: 27 kg Gearbox Only



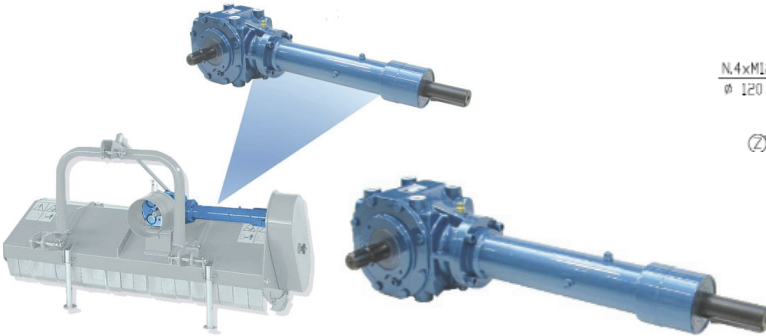
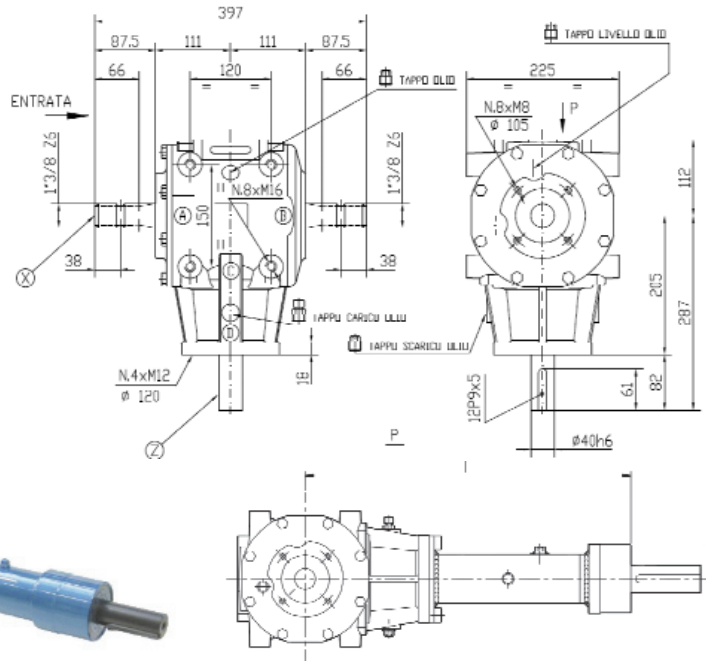
COMER NUMBER	RATIO	RPM	HP	kW	SHAFTS	
					X	Z
9.312.700.00	1:1.9	540	73	53.7	1 3/8 Z6	33mm
9.312.702.00	1:3	540	62	45.6	1 3/8 Z6	33mm



ASSEMBLED COMER NUMBER	GEARBOX CODE	EXTENSION CODE	EXTENSION LENGTH (L)	OUTPUT SHAFT
9.312.025.00	9.312.700.00	312.500.00	615mm	40mm
9.312.026.00	9.312.700.00	312.503.00	780mm	40mm
9.312.027.00	9.312.700.00	312.502.00	1060mm	40mm



**TYPE:** T-290A  
**APPLICATIONS** ROTARY TILLERS  
**SPECIFICATIONS**  
 Lubrication: SAE 90EP Gear Oil  
 Approx Weight: 30 kg Gearbox Only

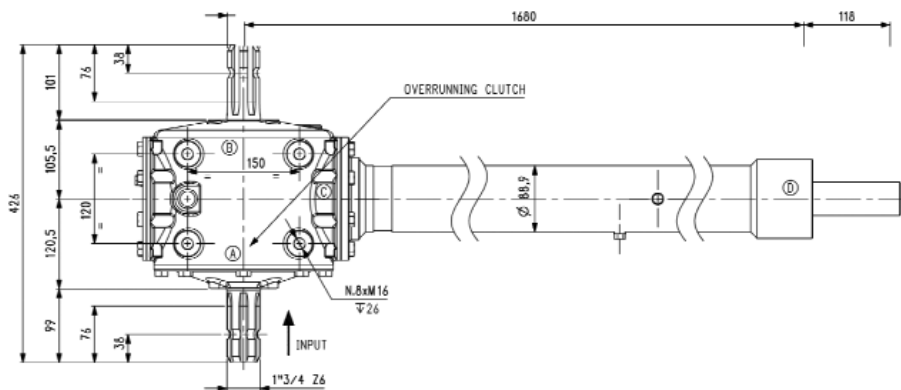


COMER NUMBER	RATIO	RPM	HP	kW	SHAFTS	
					X	Z
9.290.025.50	1:1	540	90	66.2	1 3/8 Z6	1 3/8 Z6
9.290.702.00	1:1.86	540	85	62.5	1 3/8 Z6	40mm
9.290.704.00	1:3	540	78	57.3	1 3/8 Z6	40mm
9.290.717.30	1:3	540	78	57.3	1	

ASSEMBLED COMER NUMBER	GEARBOX CODE	EXTENSION CODE	EXTENSION LENGTH	OUTPUT SHAFT
9.290.306.50	9.290.702.00	9.290.504.00	1365mm	45mm

**TYPE:** TL-269E  
**APPLICATIONS** ROTARY TILLERS  
**SPECIFICATIONS**  
 Lubrication: SAE 90EP Gear Oil  
 Approx Weight: 27 kg Gearbox Only



COMER NUMBER	RATIO	RPM	HP	kW	SHAFTS		INPUT
					X	Z	
9.269.395.00	1:1.42	1000	145	106.5	1 3/4 Z6	45mm	

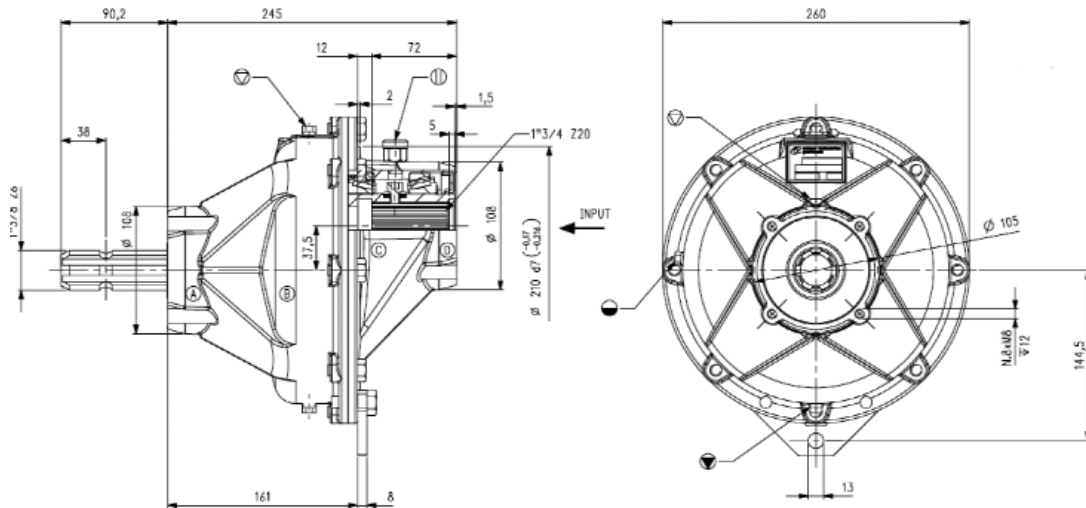
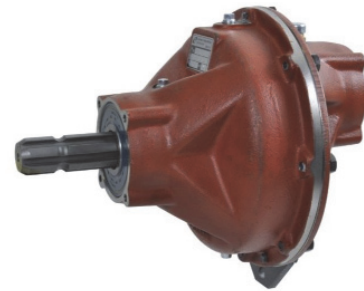
## TYPE: A-20A

### APPLICATIONS SPECIFICATIONS

VARIOUS

Lubrication: SAE 90EP Gear Oil

Approx Weight: 26 kg



COMER NUMBER	RATIO	RPM	HP	kW	SHAFTS	
					INPUT	OUTPUT
9.620.002.00	1.88:1	540	75	55	1 3/8 Z6	1 3/8 Z6
9.620.011.00	1.88:1	1000	75	55	1 3/4 Z20	1 3/8 Z6

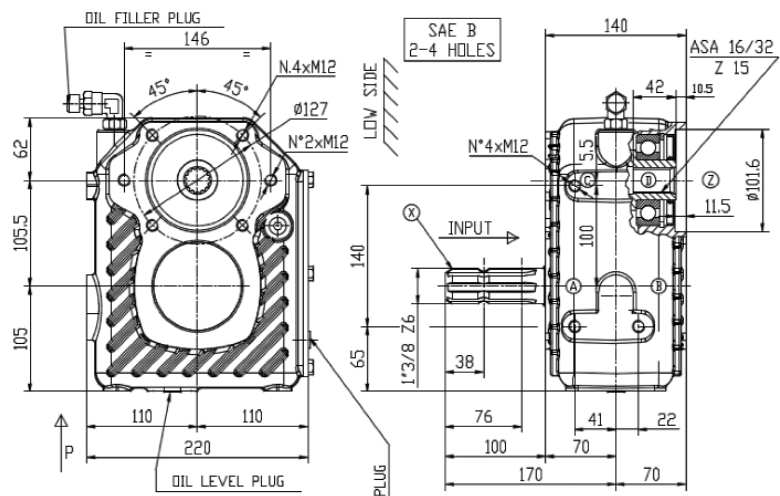
## TYPE: A-649A

### APPLICATIONS SPECIFICATIONS

HYDRAULIC PUMP DRIVE

Lubrication: SAE 90EP Gear Oil

Approx Weight: 38 kg

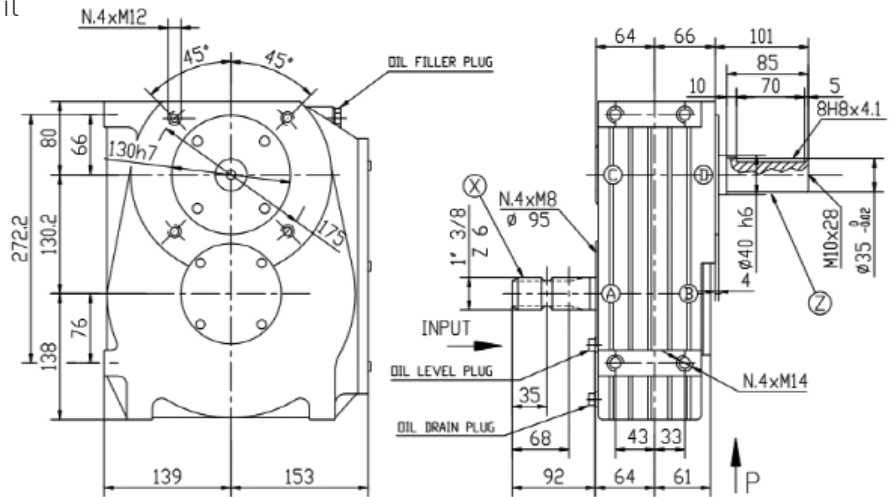


COMER NUMBER	RATIO	RPM	HP	kW	SHAFTS	
					INPUT	OUTPUT
9.649.003.00	1:3.8	540	76	55.9	1 3/8 Z6	1 16/32 Z15

## TYPE: A-4A

APPLICATIONS: VARIOUS  
SPECIFICATIONS

Lubrication: SAE 90EP Gear Oil  
Approx Weight: 26 kg

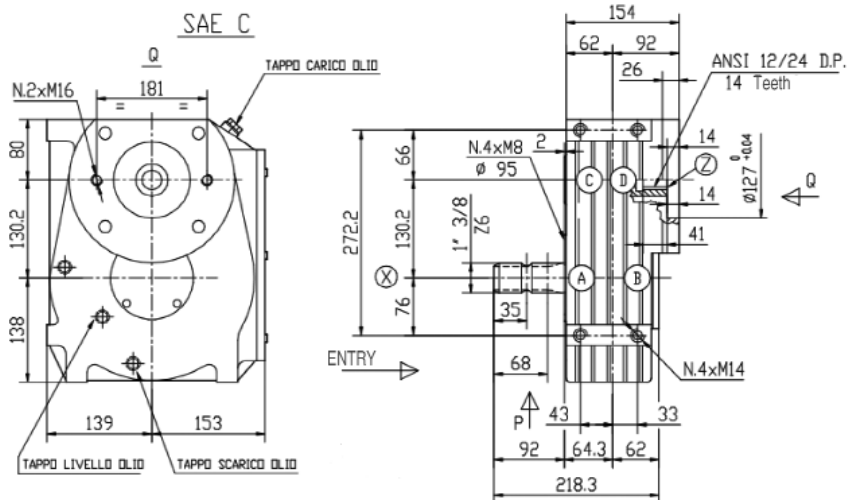


COMER NUMBER	RATIO	RPM	HP	kW	SHAFTS	
					INPUT	OUTPUT
9.620.002.00	1:1	540	85	62.5	1 3/8 Z6	1 3/8 Z6
9.620.011.00	1:1.48	540	90	66.2	1 3/8 Z6	35mm
9.603.011.00	1:3	540	81	59.6	1 3/8 Z6	35mm
9.603.000.00	1:5	540	75	55.2	1 3/8 Z6	40mm

## TYPE: A-649A

APPLICATIONS: HYDRAULIC PUMP DRIVE  
SPECIFICATIONS

Lubrication: SAE 90EP Gear Oil  
Approx Weight: 38 kg

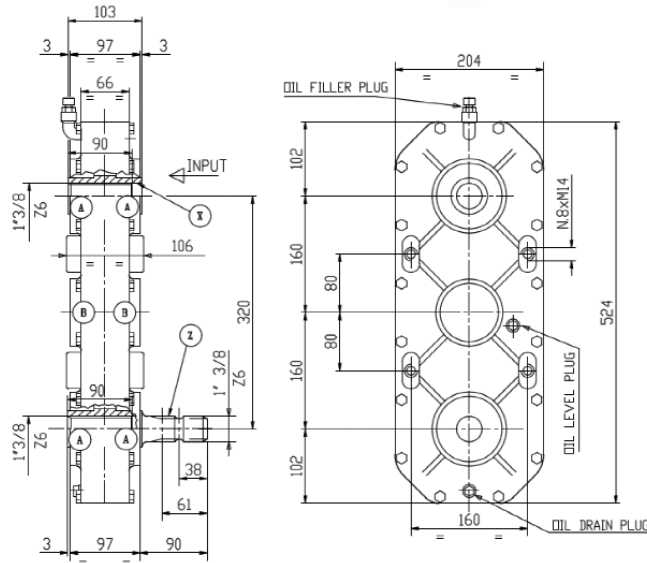


COMER NUMBER	RATIO	RPM	HP	kW	SHAFTS	
					INPUT	OUTPUT
9.603.367.00	1:3.8	540	79	58.1	1 3/8 Z6	12/24 Z14

## TYPE: A-16A

### APPLICATIONS SPECIFICATIONS

Lubrication: SAE 90EP Gear Oil  
 Approx Weight: 40 kg

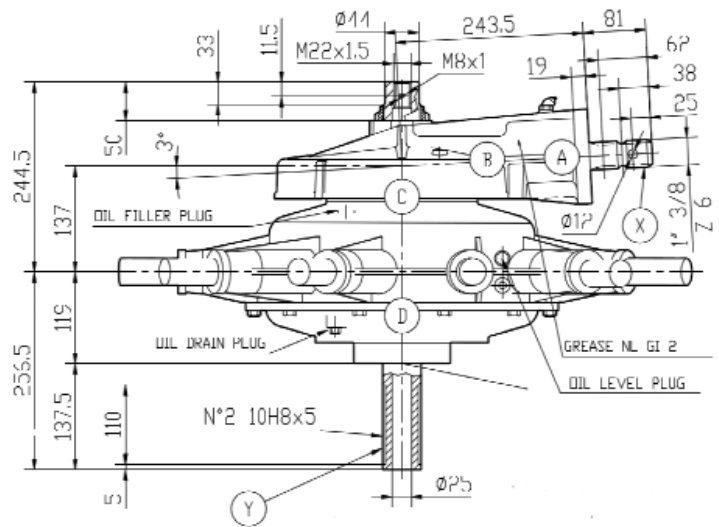
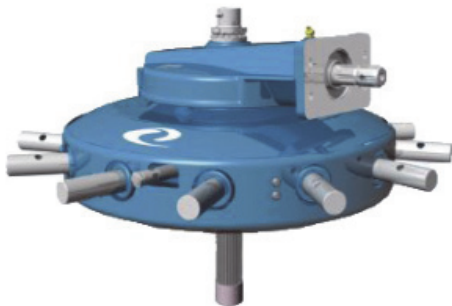


COMER NUMBER	RATIO	RPM	HP	kW	SHAFTS	
					INPUT	OUTPUT
9.615.000.02	1:1	540	85	62.6	1 3/8 Z6 FEMALE	1 3/8 Z6 MALE
9.615.001.00	1:1	540	85	62.6	1 3/8 Z6 FEMALE	1 3/8 Z6 FEMALE

## TYPE: K-794A

### APPLICATIONS SPECIFICATIONS

Lubrication: SAE 90EP Gear Oil  
 Approx Weight: 114 kg

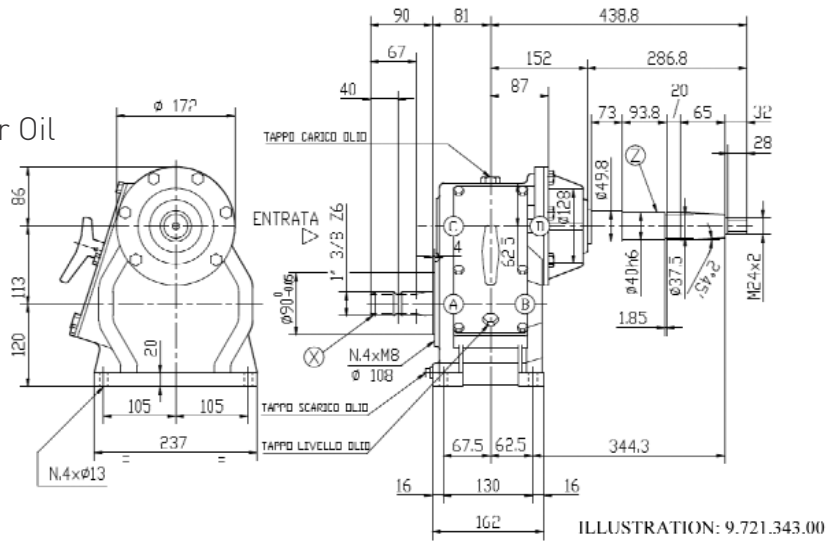
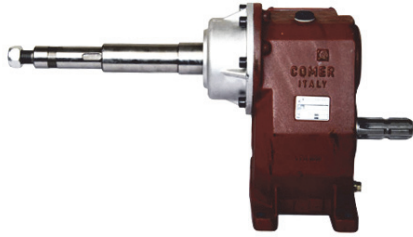


COMER NUMBER	RATIO	RPM	RATED TORQUE INPUT	ROTATION	SHAFTS	
					X	Y
9.794.001.00	8.2:1	540	Da Nm 21	Left Hand	1 3/8 Z6	25mm
9.794.002.00	8.2:1	540	Da Nm 21	Right Hand	1 3/4 Z6	25mm

## TYPE: D-21

### APPLICATIONS SPECIFICATIONS

Lubrication: SAE 90EP Gear Oil  
 Approx Weight: 31 kg

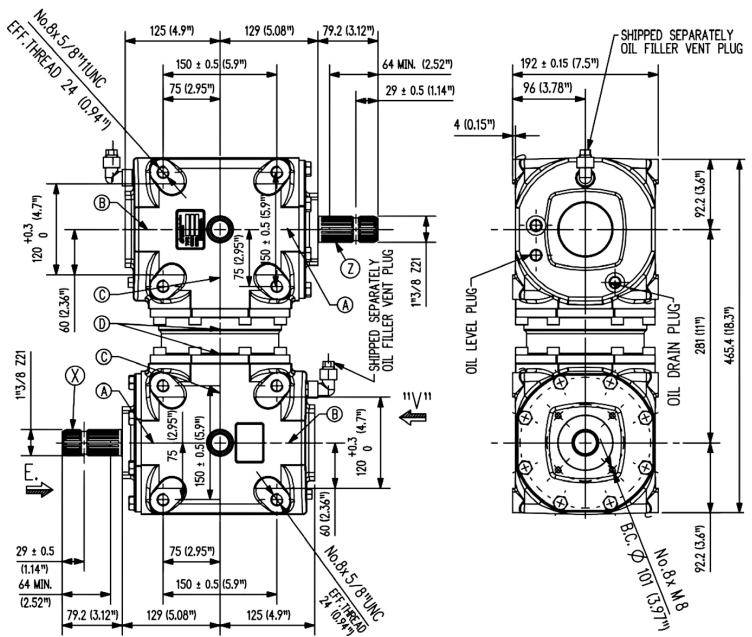


COMER NUMBER	RATIO	RPM	HP	kW	INPUT	
					X	Z
9.721.006.20	1:2.9 / 1:3.9	540	56	41.2	1 3/8 Z6	35mm
9.721.329.30	1:4.5 / 1:3.6	540	55	40.5	1 3/8 Z6	40mm
9.721.433.00	1:4.5 / 1:3.6	540	65	47.8	1 3/8 Z6	40mm
9.721.434.00	1:4.75 / 1:4.17	540	65	47.8	1 3/8 Z6	40mm
9.721.454.00	1:4.9 / 1:3.9	540	55	40.5	1 3/8 Z6	30mm

## TYPE: T-279J

### APPLICATIONS SPECIFICATIONS

Lubrication: SAE 90EP Gear Oil  
 Approx Weight: 37 kg



COMER NUMBER	RATIO	RPM	HP	KW	INPUT	
					X	Z
9.279.871.10	1:1	1000	138	101.5	1 3/8 Z21	1 3/8 Z21

## TYPE: D-744A

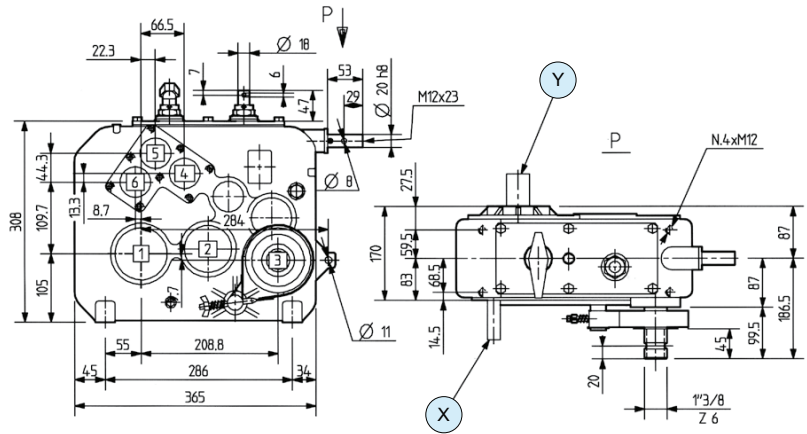
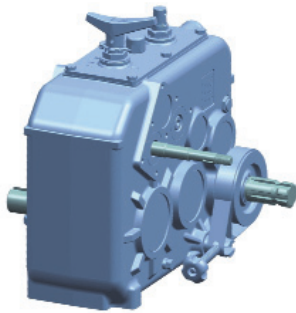
### APPLICATIONS SPECIFICATIONS

IRRIGATION

Lubrication: SAE 90EP Gear Oil

Volume: 7.0L

Approx Weight: 50 kg



COMER NUMBER	Nm	PTO	INPUT	
			X	Y
9.744.059.10	1100	1 3/8 Z6	15mm	35mm
9.744.061.10	1100	1 3/8 Z6	15mm	35mm
9.744.071.10	1100	1 3/8 Z6	15mm	35mm

## TYPE: D-745A

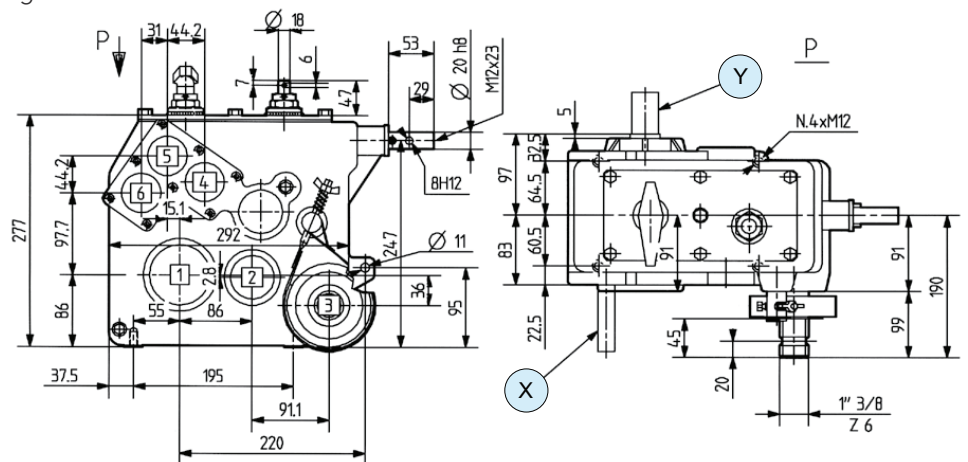
### APPLICATIONS SPECIFICATIONS

IRRIGATION

Lubrication: SAE 90EP Gear Oil

Volume: 7.0L

Approx Weight: 38.7 kg



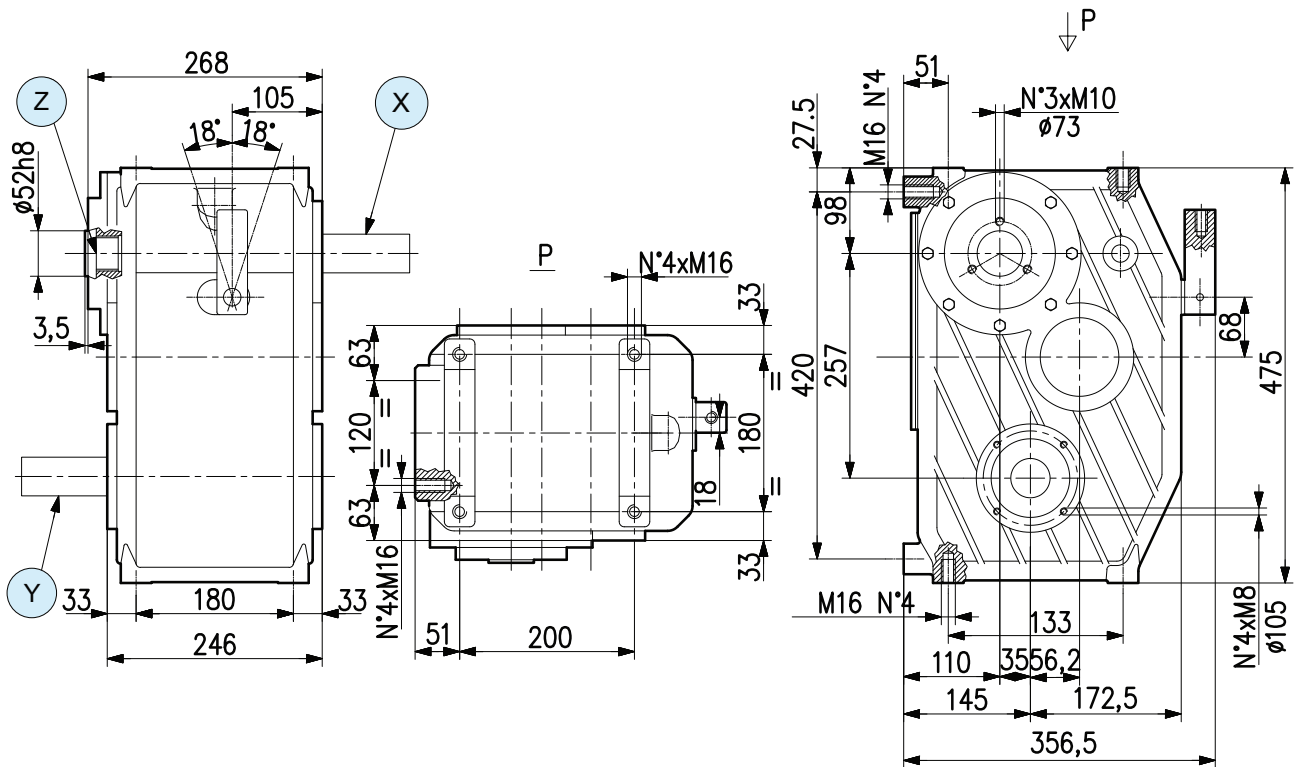
COMER NUMBER	Nm	PTO	INPUT	
			X	Y
9.745.000.60	700	1 3/8 Z6	19mm	32mm
9.745.054.00	700	1 3/8 Z6	19mm	32mm

## TYPE: C-3A

### APPLICATIONS SPECIFICATIONS

FEED MIXER

Lubrication: SAE 90EP Gear Oil  
 Approx Weight: 100 kg

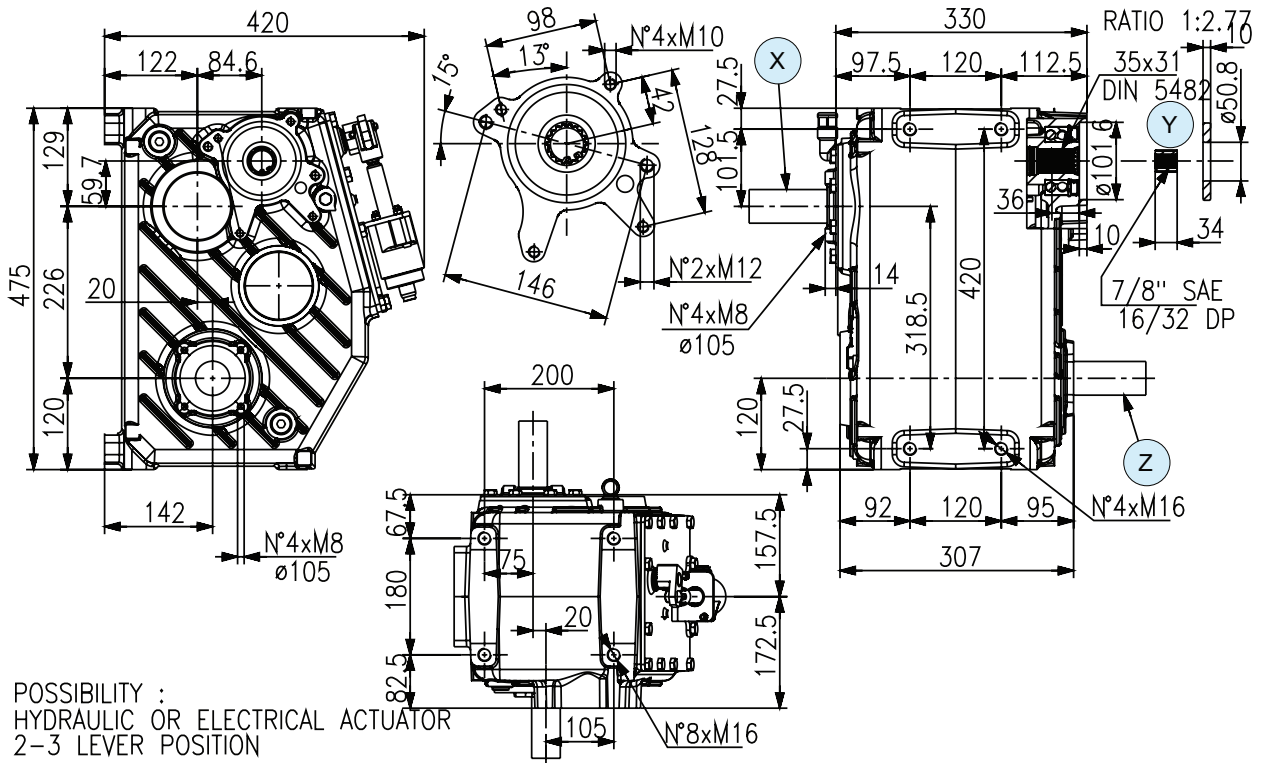


COMER NUMBER	RATIO	RPM	kW	INPUT	X	FLANGE Y	Z
5367.005.013	1.00 1.28	540	92	X	1 3/4 Z20	1 3/4 Z20	A.P. APH-36 x 40DIN
5367.008.015	1.00 1.50	540	92	X	1 3/4 Z20	1 3/4 Z20	A.P. APH-36 x 40DIN
5367.001.018	1.00 1.80	540	92	X	1 3/4 Z20	1 3/4 Z20	A.P. APH-36 x 40DIN
5367.101.032	1.57 3.26	1000	110.3	X	1 3/4 Z20	1 3/4 Z6	-
5367.054.032	1.57 3.26	1000	110.3	X	1 3/4 Z20	1 3/4 Z20	A.P. APH-36 x 40DIN
5367.069.027	1.80 2.73	540	110.3	X	1 3/4 Z20	1 3/4 Z20	A.P. APH-36 x 40DIN

## TYPE: A-613R

APPLICATIONS: FEED MIXER  
SPECIFICATIONS

Lubrication: SAE 90EP Gear Oil  
Approx Weight: 105 kg



COMER NUMBER	RATIO	RPM	kW	INPUT	X	FLANGE Y	Z
9.613.006.00	1.00 1.30	540	132	X	1 3/4 Z20	SAE B/GR3-35 x 31 DIN	1 3/4 Z20
9.613.003.00	1.00 1.50	540	132	X	1 3/4 Z20	SAE B/GR3-35 x 31 DIN	1 3/4 Z20
	1.00 1.50	1000	180	X	1 3/4 Z20	SAE B/GR3-35 x 31 DIN	1 3/4 Z20
9.613.001.00	1.00 1.80	540	132	X	1 3/4 Z20	SAE B/GR3-35 x 31 DIN	1 3/4 Z20
	1.00 1.80	1000	180	X	1 3/4 Z20	SAE B/GR3-35 x 31 DIN	1 3/4 Z20
9.613.004.00	1.80 2.70	1000	150	X	1 3/4 Z20	SAE B/GR3-35 x 31 DIN	1 3/4 Z20



## TYPE: PGA-1602

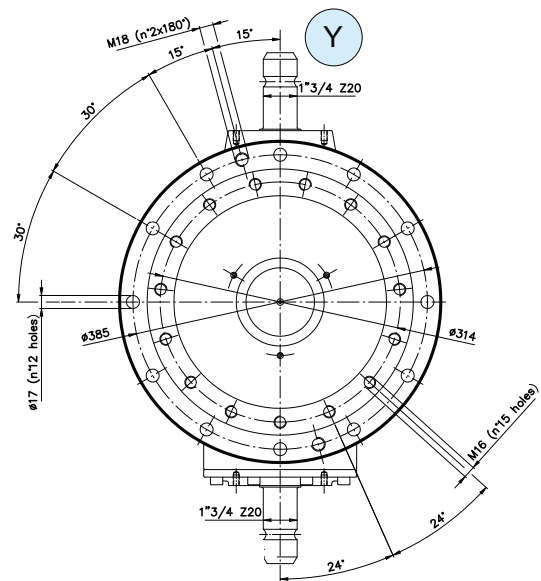
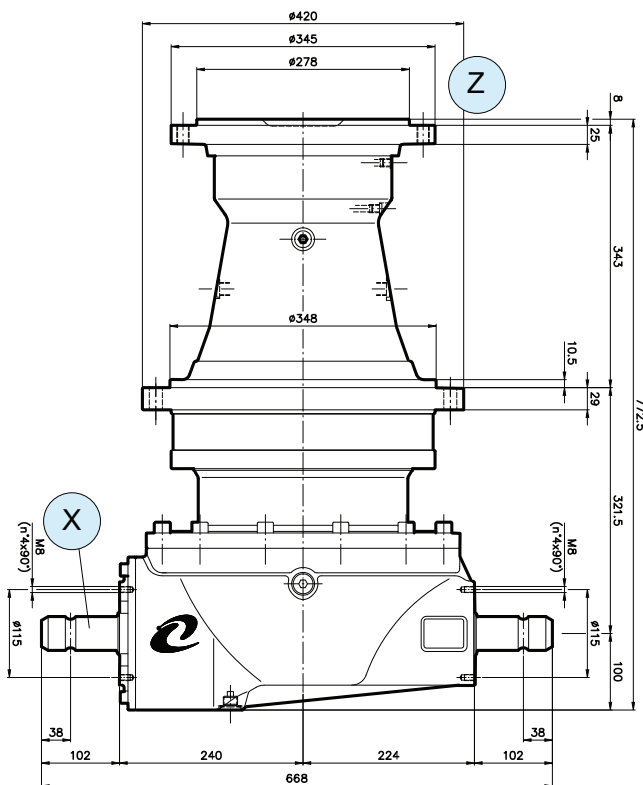
### APPLICATIONS SPECIFICATIONS

FEED MIXER

Lubrication: SAE 90EP Gear Oil

Volume: 19.7

Approx Weight: 265 kg

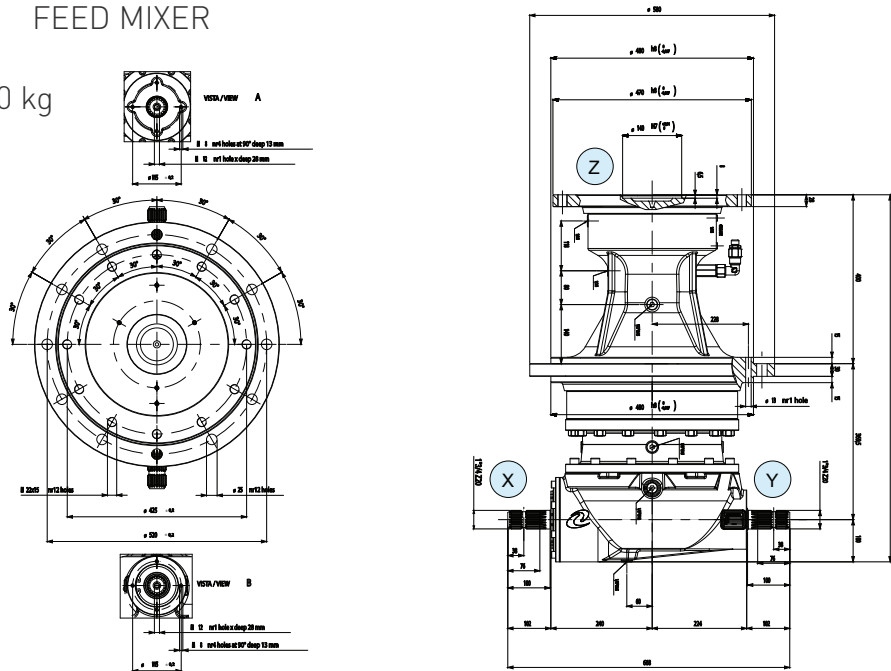


COMER NUMBER	RATIO	Nm	X	SHAFTS Y	Z
5717.004.8550.C	13.40	16500	1 3/4 Z20	1 3/4 Z20	FLANGED
5717.004.8541.C	16.13	15700	1 3/4 Z20	1 3/4 Z20	FLANGED
5717.004.8542.C	18.20	13500	1 3/4 Z20	1 3/4 Z20	FLANGED
5717.004.8543.C	21.10	12010	1 3/4 Z20	1 3/4 Z20	FLANGED

## TYPE: PGA-2502

APPLICATIONS FEED MIXER  
SPECIFICATIONS

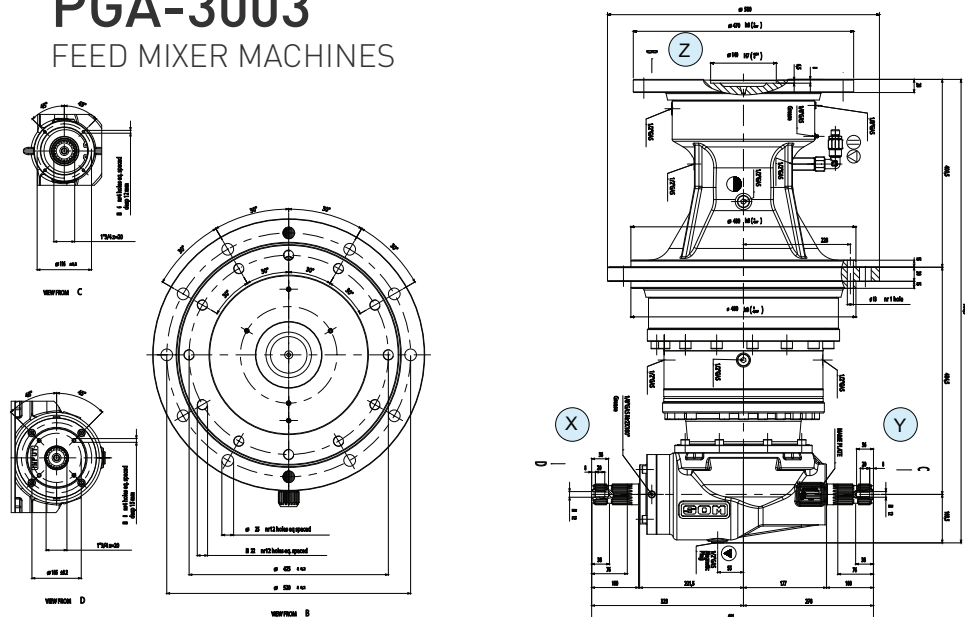
Approx Weight: 420 kg



COMER NUMBER	RATIO	RPM	Nm	INPUT	FLANGE		
					X	Y	Z
5718.000.0539	13.60	540	23780	X	1 3/4 Z20	1 3/4 Z20	Flanged
5718.000.0533	15.20	540	22000	X	1 3/4 Z20	1 3/4 Z20	Flanged
5718.000.0530	19.60	540	21000	X	1 3/4 Z20	1 3/4 Z20	Flanged

## TYPE: PGA-3003

APPLICATIONS FEED MIXER MACHINES

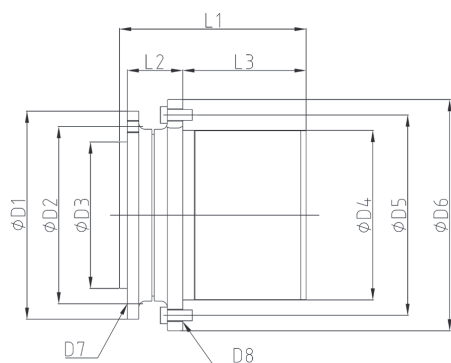
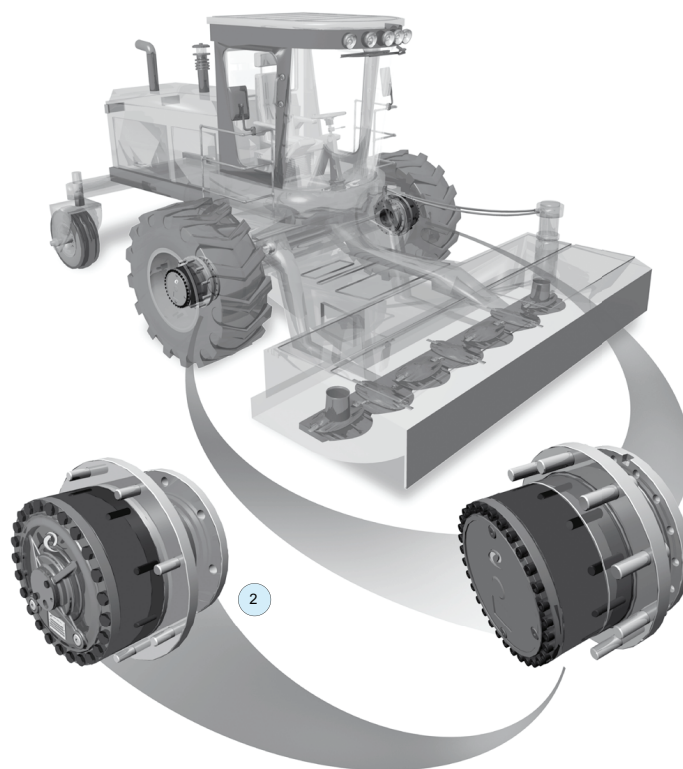


COMER NUMBER	RATIO	RPM	Nm	INPUT	FLANGE		
					X	Y	Z
5718.800.0564	29.34	540	30760	X	1 3/4 Z20	1 3/4 Z20	Flanged
5718.800.0563	35.40	540	30760	X	1 3/4 Z20	1 3/4 Z20	Flanged

## WHEEL DRIVES

The **compact design**, the **enhanced performances** and the **high load tapered roller bearings** of PGR W series will deliver the requested **travel speed** and the desired mobility necessary to succeed in the wheeled applications, such as paving, agricultural or forestry machines. By incorporating a disconnect device, available as an option, PGR W series allows a vehicle to be towed in case of hydraulic system failure.

Equipped with internal parking brake and suitable for SAE and cartridge hydraulic motors.



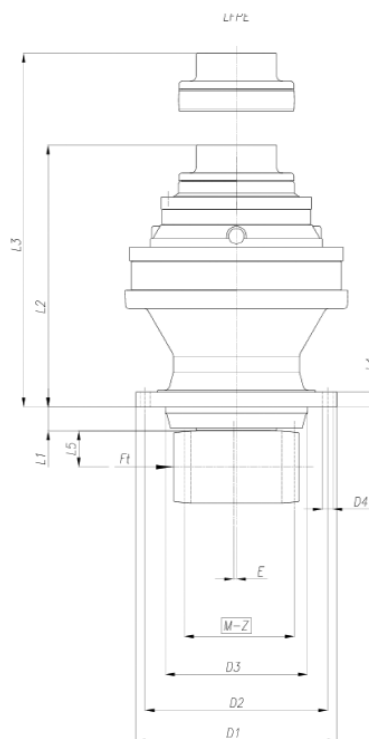
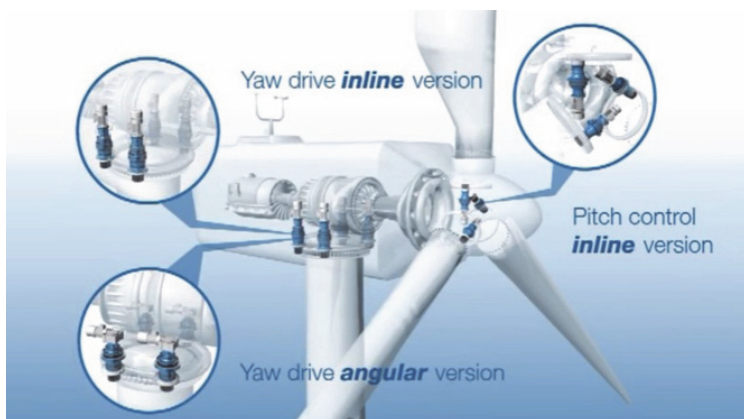
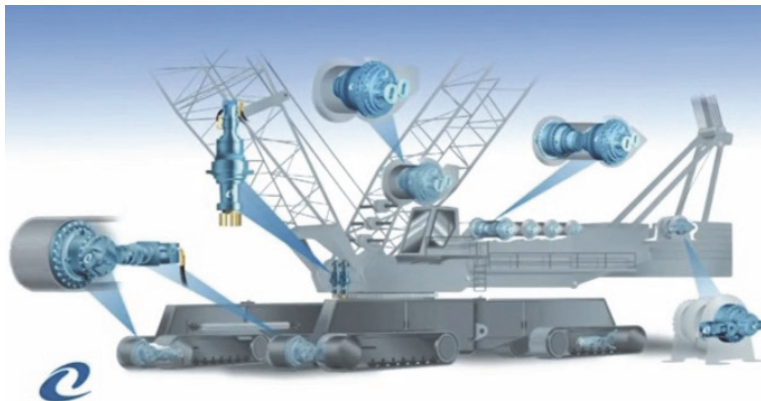
SIZE	TRANSMISSION RATIO <i>i</i>	MAXIMUM TORQUE Nm	BRAKING TORQUE Nm	MAXIMUM INPUT SPEED RPM	MINIMUM OPENING PRESSURE BAR	WEIGHT KG
PGR-802 W	270	230	190	220	275	310
PGR-1702/3 W	330	300	270	280	335	372
PGR-2502/3 W	320(*)	285(*)	240(*)	300	355	400
PGR-3602/3 W	350(*)	310(*)	270(*)	320	380	420
PGR-4802/3 W	350(*)	310(*)	270(*)	350	400	435
PGR-6003 W	410	370	330	400	450	490
PGR-8003 W	410	370	330	400	150	490
PGR-9003 W	500	460	420	460	510	550
PGR-11003 W	500	460	420	460	510	550

(\*) Dimensions may change according to the selected hydraulic motors.

SIZE	D1	D2	D3	D4	D5	D6	L1	L2	L3	D7	D8
							2/3 Stages		2/3 Stages		
PGR-802 W	270	230	190	220	275	310	270	72	161	M16 x 16	M20 x 1.5 x 8
PGR-1702/3 W	330	300	270	280	335	372	287/332	96	161/203	M16 x 18	M22 x 1.5 x 10
PGR-2502/3 W	320(*)	285(*)	240(*)	300	355	400	324/342(*)	82	220/240	M20 x 20	M18 x 1.5-n°20
PGR-3602/3 W	350(*)	310(*)	270(*)	320	380	420	340/361(*)	90	220/241	M20 x 16	M22 x 1.5-n°16
PGR-4802/3 W	350(*)	310(*)	270(*)	350	400	435	350/370(*)	91	229/249	M20 x 16	M22 x 1.5-n°16
PGR-6003 W	410	370	330	400	450	490	413	90	297	M20 x 20	M22 x 1.5-n°16
PGR-8003 W	410	370	330	400	150	490	413	90	297	M20 x 20	M22 x 1.5-n°16
PGR-9003 W	500	460	420	460	510	550	490	165	305	M24 x 24	M22 x 1.5-n°24
PGR-11003 W	500	460	420	460	510	550	490	165	305	M24 x 24	M22 x 1.5-n°24

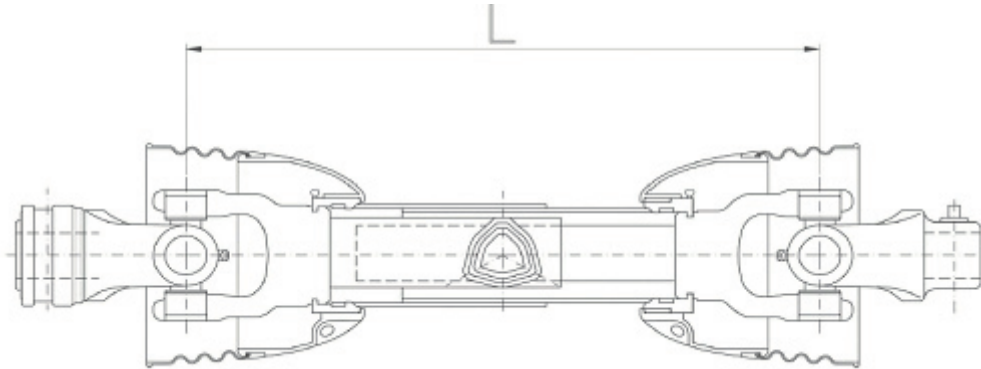
(\*) Dimensions may change according to the selected hydraulic motors.

## PLANETARY DRIVE



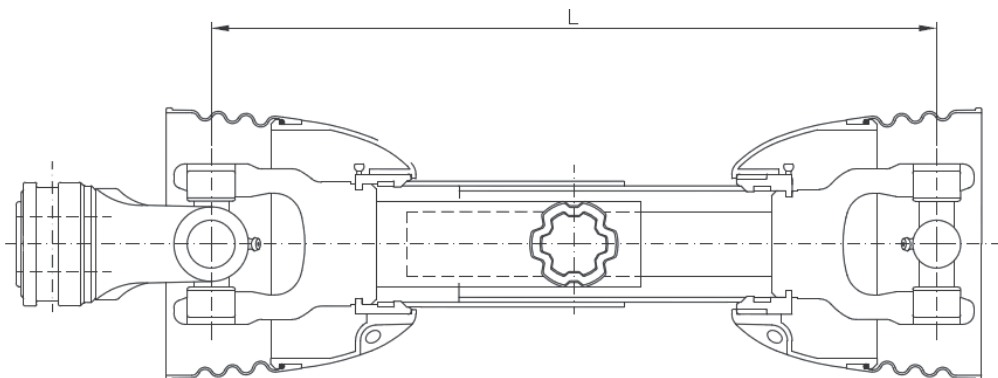
TYPE	SUPPORT	Ft FEM (N)	Ft MAX (N)	D1	D2	D3	D4	L1	L2	L3	L4	L5
PG100	LFP	30500	35500	185	165	110	8 x 10.5	7	244.5	292.5	14	35
	LFP	53200	64700	218	194	155	10 x 11	17	238	286	12	22.5
	LFP	54400	88000	218	195	150	10 x 13.5	31	241	279	12	27
PG160	LFP	30500	35500	185	165	110	8 x 10.5	7	257.5	305.5	14	35
	LFP	53200	64700	218	194	155	10 x 11	17	251	299	12	22.5
	LFP	54400	88000	218	195	150	10 x 13.5	31	254	302	12	27
PG200	LFP	60600	76050	220	195	150	10 x 13	15	275.5	323.5	14	41
	LFP	36900	42950	220	195	150	10 x 13	20	275.5	323.5	14	67.5
PG500	LFP	80800	101750	272	245	175	10 x 13	39.5	307.5	355.5	19	47

## PTO SHAFTS TRIANGLE PROFILE



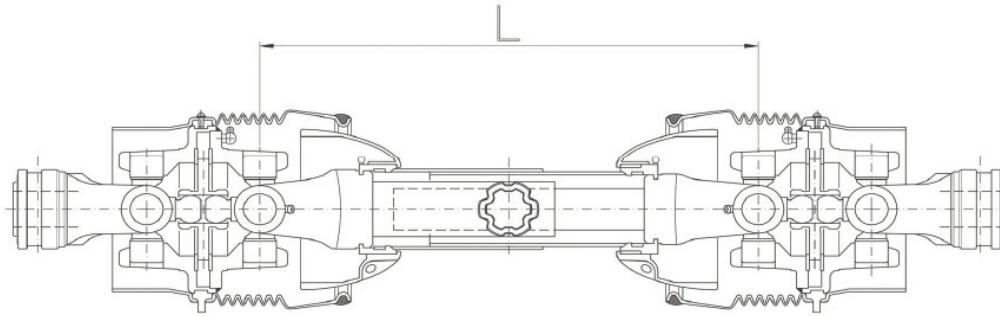
COMER NUMBER	SERIES	UNI-CROSS	DIMENSION CLOSED (L)	TRACTOR END	IMPLEMENT	RATED HP @540 RPM
T400760ENC12112	4	180.014.625	760mm	1 3/8 Z6 COLLAR	1 3/8 Z6 PIN	35
T401010ENC12112	4	180.014.625	1010mm	1 3/8 Z6 COLLAR	1 3/8 Z6 PIN	35
T401510ENC12112	4	180.014.625	1510mm	1 3/8 Z6 COLLAR	1 3/8 Z6 PIN	35
T401910ENC12112	4	180.014.625	1910mm	1 3/8 Z6 COLLAR	1 3/8 Z6 PIN	35
T601010ENC12112	6	180.016.780	1010mm	1 3/8 Z6 COLLAR	1 3/8 Z6 PIN	65
T601510ENC12112	6	180.016.780	1510mm	1 3/8 Z6 COLLAR	1 3/8 Z6 PIN	65
T601910ENC12112	6	180.016.780	1910mm	1 3/8 Z6 COLLAR	1 3/8 Z6 PIN	65
T801010ENC12112	8	180.018.574	1010mm	1 3/8 Z6 COLLAR	1 3/8 Z6 PIN	95

## PTO SHAFTS STAR PROFILE NO END YOKE



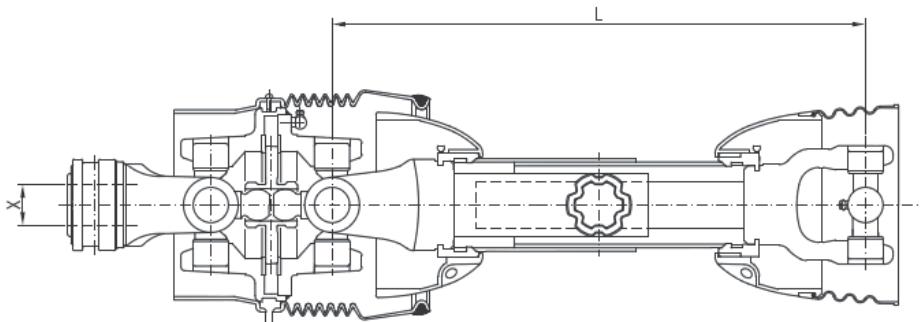
COMER NUMBER	SERIES	UNI-CROSS	DIMENSION CLOSED (L) mm	TRACTOR END	IMPLEMENT	RATED HP @540 RPM
V601010ENC12	6	180.016.780	1010	1 3/8 Z6 COLLAR	NA	65
V601510ENC12	6	180.016.780	1510	1 3/8 Z6 COLLAR	NA	65
V601910ENC12	6	180.016.780	1910	1 3/8 Z6 COLLAR	NA	65
V801010ENC12	8	180.018.574	1010	1 3/8 Z6 COLLAR	NA	100
V801510ENC12	8	180.018.574	1510	1 3/8 Z6 COLLAR	NA	100
V801910ENC12	8	180.018.574	1910	1 3/8 Z6 COLLAR	NA	100
V901010ENC15	9	180.019.392	1010	1 3/4 Z20 COLLAR	NA	120
V901510ENC15	9	180.019.392	1510	1 3/4 Z20 COLLAR	NA	120

## CvJ WIDE ANGLE PTO SHAFT WIDE ANGLE BOTH ENDS



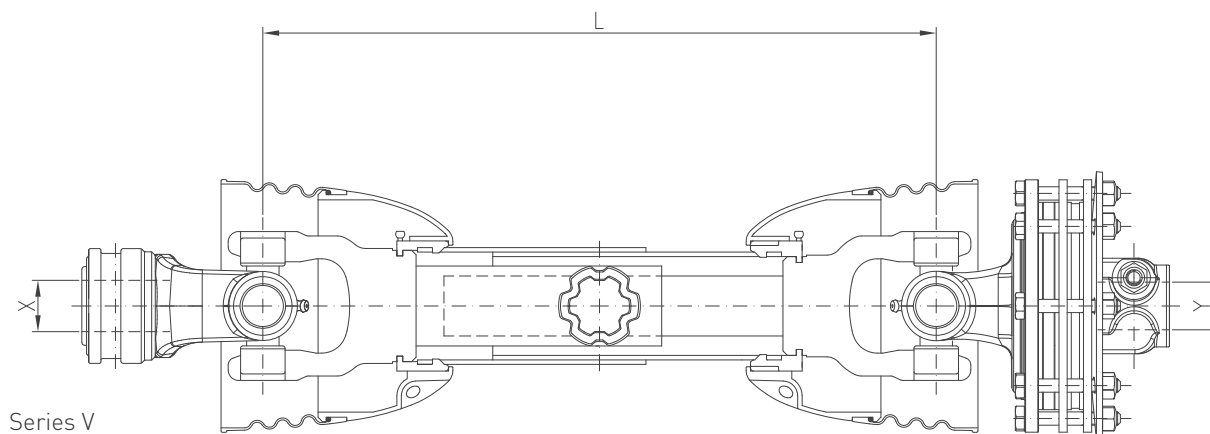
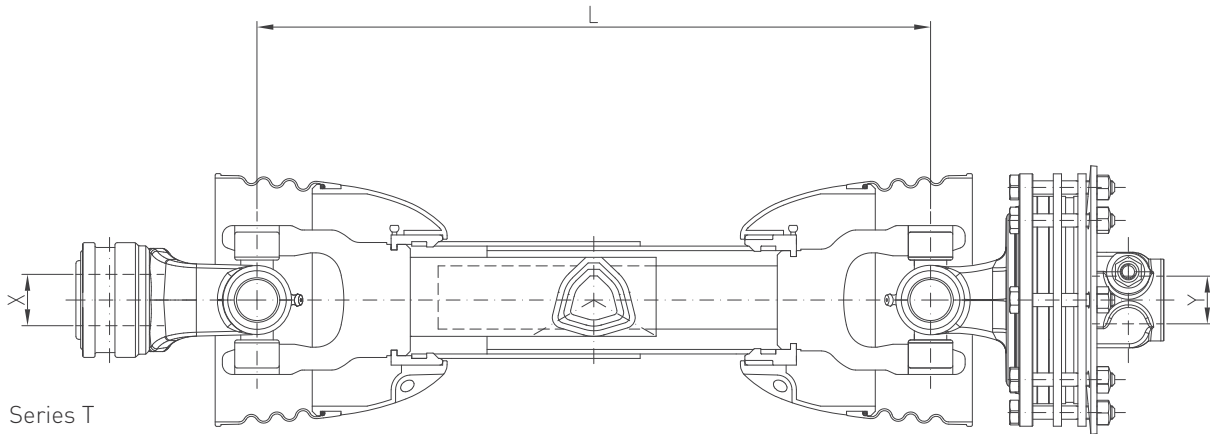
COMER NUMBER	SERIES	UNI-CROSS	DIMENSION CLOSED (L)	TRACTOR END	IMPLEMENT	RATED HP @540 RPM
V601510ENC02C02 *	6	180.016.775	1510	1 3/8 Z6	1 3/8 Z6	68
V601910ENC02C02 *	6	180.016.775	1910	1 3/8 Z6	1 3/8 Z6	68
V801510ENC02C02 *	8	180.018.580	1510	1 3/8 Z6	1 3/8 Z6	100
V801910ENC02C02 *	8	180.018.580	1910	1 3/8 Z6	1 3/8 Z6	100
* Wide angle options available (X) C03 = 1 3/8 Z21 C05 = 1 3/4 Z20 C07 = 1 3/4 Z6						

## CvJ WIDE ANGLE PTO SHAFT NO END YOKE



COMER NUMBER	SERIES	UNI-CROSS	DIMENSION CLOSED (L)	TRACTOR END COLLAR (X)	IMPLEMENT	RATED HP @540 RPM
V601010ENC02 *	6	180.016.775	1010	1 3/8 Z6	N/A	68
V601510ENC02 *	6	180.016.775	1510	1 3/8 Z6	N/A	68
V601910ENC02 *	6	180.016.580	1910	1 3/8 Z6	N/A	68
V801010ENC02 *	8	180.016.580	1010	1 3/8 Z6	N/A	100
V801510ENC02 *	8	180.016.580	1510	1 3/8 Z6	N/A	100
V801910ENC02 *	8	180.016.580	1910	1 3/8 Z6	N/A	100
* Wide angle options available (X) C03 = 1 3/8 Z21 C05 = 1 3/4 Z20 C07 = 1 3/4 Z6						

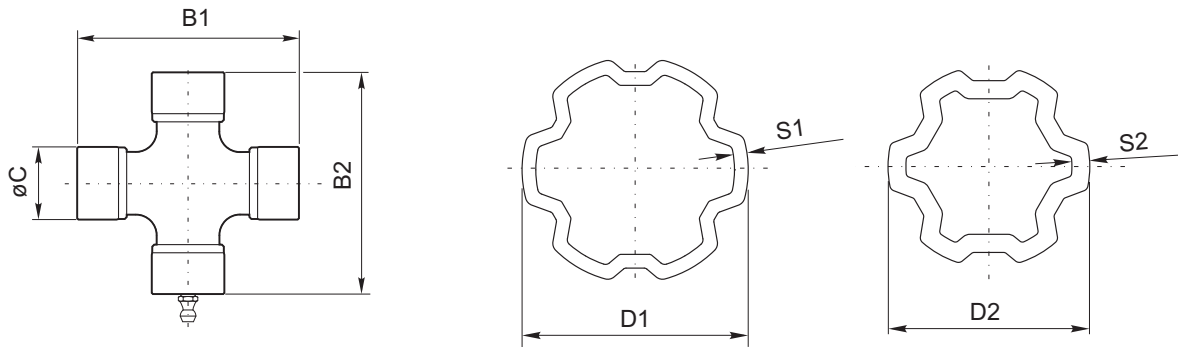
## PTO SHAFT V PROFILE WITH SAFETY CLUTCH



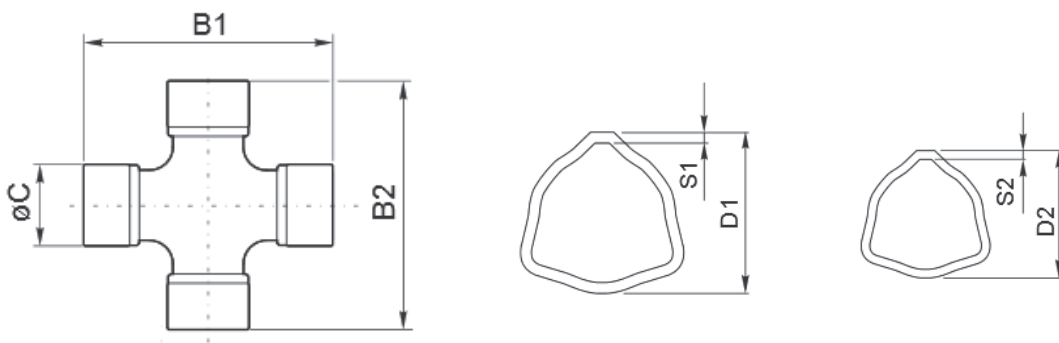
COMER NUMBER	SERIES	SHAFT PROFILE	UNI-CROSS	DIMENSION CLOSED (L)	TRACTOR END COLLAR	IMPLEMENT SLIP CLUTCH BOLT	RATED HP @540 RPM
T400760ENC12T16	4	TRIANGLE	180.014.625	760	1 3/8 Z6	1 3/8 Z6	35
T601010ENC12T16	6	TRIANGLE	180.016.780	1010	1 3/8 Z6	1 3/8 Z6	65
T601510ENC12T16	6	TRIANGLE	180.016.780	1510	1 3/8 Z6	1 3/8 Z6	65
T801010ENC12T46	8	TRIANGLE	180.018.574	1010	1 3/8 Z6	1 3/8 Z6	95
T801010ENC12T48	8	TRIANGLE	180.018.574	1010	1 3/8 Z6	1 3/4 Z6	95
T801010ENC12T49	8	TRIANGLE	180.018.574	1010	1 3/8 Z6	1 3/4 Z20	95
V601010ENC12T16	6	TRIANGLE	180.016.780	1010	1 3/8 Z6	1 3/8 Z6	65
V801010ENC12T46	8	STAR	180.018.574	1010	1 3/8 Z6	1 3/8 Z6	100
V801010ENC12T48	8	STAR	180.018.574	1010	1 3/8 Z6	1 3/4 Z6	100
V801010ENC12T49	8	STAR	180.018.574	1010	1 3/8 Z6	1 3/4 Z20	100
V901010ENC12T46	9	STAR	180.019.392	1010	1 3/8 Z6	1 3/8 Z6	120
V901010ENC12T48	9	STAR	180.019.392	1010	1 3/8 Z6	1 3/4 Z6	120
V901010ENC12T49	9	STAR	180.019.392	1010	1 3/8 Z6	1 3/4 Z20	120
V901510ENC12T46	9	STAR	180.019.392	1510	1 3/8 Z6	1 3/8 Z6	120

\* Tractor end options C12 = 1 3/8 Z6 C13 = 1 3/8 Z21 C15 = 1 3/4 Z20 C15 = 1 3/4 Z6

## UNI CROSS & TUBE PROFILE



TYPE		(mm)	B1 x B2 (mm x mm)	D1 x S1 (mm x mm)	D2 x S2	PART NO
20	STD	23.8	61.3 x 61.3	42 x 2.7	36.2 x 3.5	180.012.436
	CVLJ		82.1 x 74.1			180.012.431
40	STD	27.0	74.6 x 74.6	45.7 x 3.0	39.3 x 4.5	180.014.826
	CVJ		91.2 x 85.8			180.014.626
60	STD	30.2	92.0 x 92.0	57.6 x 3.5	50.2 x 4.5	180.016.774
	CVJ		102.4 x 95.4	57.6 x 3.2		180.016.775
80	STD	35.0	106.5 x 106.5	66.5 x 4.0	58.1 x 5.0	180.018.581
	CVJ		113.8 x 106.3	66.5 x 3.7		180.018.580
90	STD	41.0	108.0 x 108.0	66.5 x 4.0	58.1 x 5.0	180.019.392

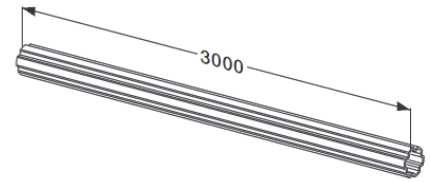


TYPE		(mm)	B1 x B2 (mm x mm)	D1 x S1 (mm x mm)	D2 x S2	PART NO
20	STD	23.8	61.3 x 61.3	36.0 x 3.2	29.0 x 4.0	180.012.436
	CVLJ		82.1 x 74.1	36.0 x 2.9		29.6 x 4.3
40	STD	27.0	74.6 x 74.6	43.5 x 3.4	36.0 x 4.5	180.014.826
	CVJ		91.2 x 85.8	43.5 x 3.1		36.6 x 4.8
60	STD	30.2	92.0 x 92.0	54.0 x 4.0	45.0 x 4.0	180.016.774
	CVJ		101.4 x 95.4	54.0 x 3.7		45.6 x 4.3
80	STD	35.0	106.5 x 106.5	63.0 x 4.0	54.0 x 5.0	180.018.581
	CVJ		113.8 x 106.3	63.0 x 3.7		54.6 x 5.3
90	STD	41.0	108.0 x 108.0	63.0 x 4.0	54.0 x 5.0	180.019.392

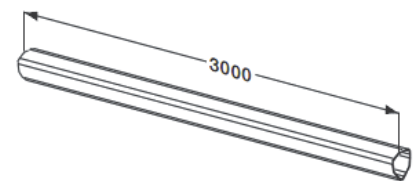


## TUBE PROFILE & END YOKES

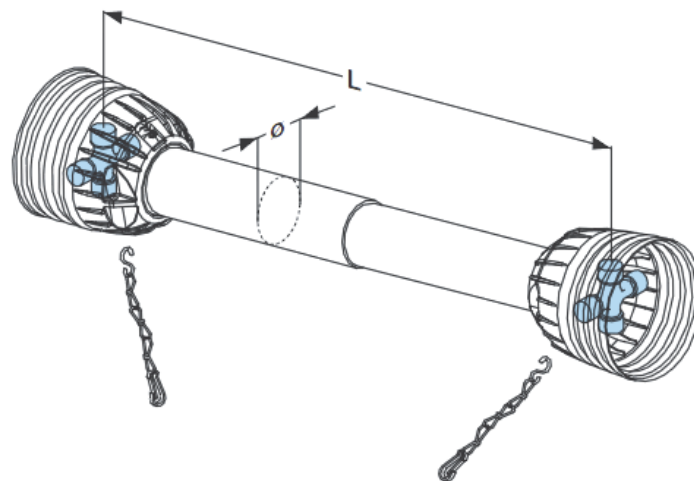
TYPE	TUBE PROFILE (V)	LENGTH (mm)	OUTER TUBE	INNER TUBE
20	STAR	2800	191.120.800	191.120.700
40	STAR	2800	191.140.800	191.140.700
60	STAR	2800	191.160.800	191.160.700
80	STAR	2800	191.190.800	191.190.700
90	STAR	2800	191.190.800	



TYPE	TUBE PROFILE (V)	LENGTH (mm)	OUTER TUBE	INNER TUBE
20	TRIANGLE	2800	191.120.200	191.120.100
40	TRIANGLE	2800	191.130.200	191.140.100
60	TRIANGLE	2800	191.160.200	191.150.100
80	TRIANGLE	2800	191.198.850	191.190.300
90	TRIANGLE	2800	191.198.850	191.190.300



## REPLACEMENT PTO SHAFT COVERS





40 SERIES O = 66.5 mm		60 SERIES O = 81.2 mm		80 SERIES O = 96 mm	
L (mm)	PART NO	L (mm)	PART NO	L (mm)	PART NO
751	142.340.009.9450	1010	142.360.012.9650	1090	142.380.012.9850
1451	142.340.016.9450	1410	142.360.016.9650	1490	142.380.016.9850



## TYPE: 9 SERIES PTO

APPLICATIONS: BIG SQUARE BALER PTO'S

COMER NUMBER	SERIES	DIMENSION (L)	TRACTOR END	IMPLEMENT END	RATED HP @ 1000 RPM
E900660NC15135	9	660mm	1 3/4 Z20 COLLAR	1 3/4 BOLT	190
E901010NC15132	9	1010mm	1 3/4 Z20 COLLAR	1 3/8 Z6 BOLT	190

COMER NUMBER	SERIES	DESCRIPTION	DIMENSIONS
180.019.130	9	UNI CROSS	
141.029.345	9	YOKE 1 3/4 Z20 CLAMP STYLE	

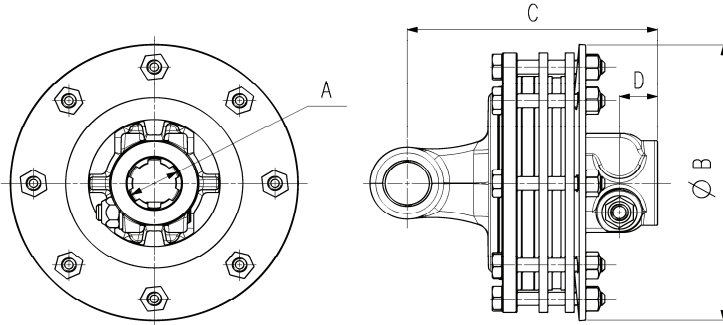




comer industries

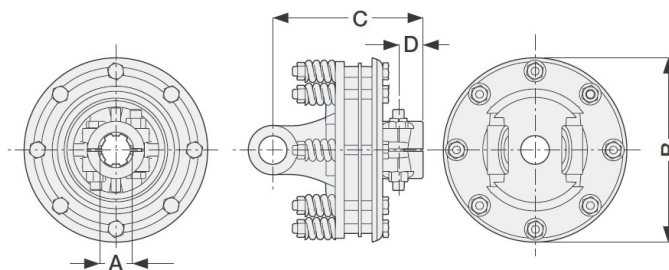
# Friction clutch type T - codes list -

Code:	Tab_0647
N° page :	1 / 5
Date:	11-12-18
Index:	--



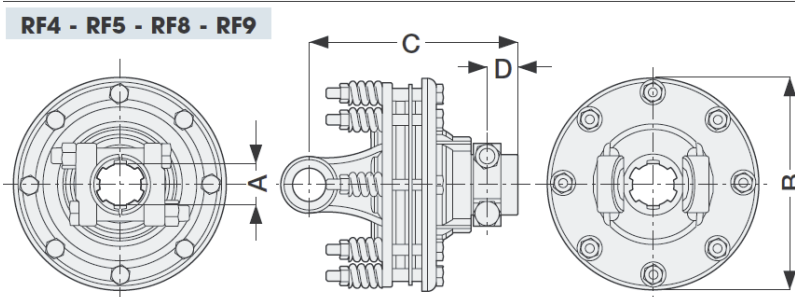
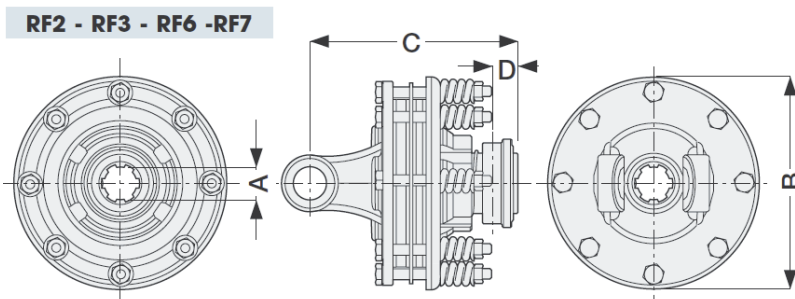
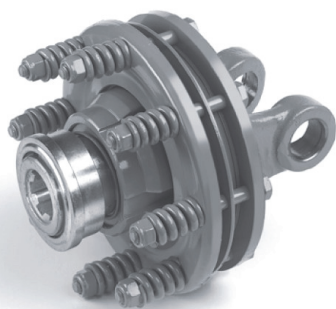
Type	Ref.	A	ØB		C		D		Max. torque		Code
			[ mm ]	[ inch ]	[ mm ]	[ inch ]	[ mm ]	[ inch ]	[ Nm. ]	[ in.lb ]	
40	T06	1 3/8" Z6	155	6 7/64"	151	5 15/16"	26	1 1/32"	650	5750	146.241.107.1
	T07	1 3/8" Z21	155	6 7/64"	151	5 15/16"	26	1 1/32"	650	5750	146.241.108.1
	T16	1 3/8" Z6	180	7 3/32"	150	5 29/32"	26	1 1/32"	900	7950	146.241.113.1
	T17	1 3/8" Z21	180	7 3/32"	150	5 29/32"	26	1 1/32"	900	7950	146.241.114.1
60	T16	1 3/8" Z6	180	7 3/32"	150	5 29/32"	26	1 1/32"	900	7950	146.261.107.1
	T17	1 3/8" Z21	180	7 3/32"	150	5 29/32"	26	1 1/32"	900	7950	146.261.108.1
	T26	1 3/8" Z6	196	7 23/32"	156	6 9/64"	26	1 1/32"	1200	10600	146.262.125.1
	T27	1 3/8" Z21	196	7 23/32"	156	6 9/64"	26	1 1/32"	1200	10600	146.262.126.1
	T28	1 3/4" Z6	196	7 23/32"	157	6 3/16"	26	1 1/32"	1200	10600	146.262.127.1
	T29	1 3/4" Z20	196	7 23/32"	157	6 3/16"	26	1 1/32"	1200	10600	146.262.128.1
	T46	1 3/8" Z6	196	7 23/32"	171	6 47/64"	26	1 1/32"	1600	14150	146.264.130.1
	T47	1 3/8" Z21	196	7 23/32"	171	6 47/64"	26	1 1/32"	1600	14150	146.264.131.1
	T48	1 3/4" Z6	196	7 23/32"	175	6 57/64"	26	1 1/32"	1600	14150	146.264.132.1
	T49	1 3/4" Z20	196	7 23/32"	175	6 57/64"	26	1 1/32"	1600	14150	146.264.133.1
80	T26	1 3/8" Z6	196	7 23/32"	169	6 21/32"	26	1 1/32"	1200	10600	146.282.116.1
	T27	1 3/8" Z21	196	7 23/32"	169	6 21/32"	26	1 1/32"	1200	10600	146.282.117.1
	T28	1 3/4" Z6	196	7 23/32"	170	6 45/64"	26	1 1/32"	1200	10600	146.282.118.1
	T29	1 3/4" Z20	196	7 23/32"	170	6 45/64"	26	1 1/32"	1200	10600	146.282.119.1
	T46	1 3/8" Z6	196	7 23/32"	184	7 1/4"	26	1 1/32"	2000	17700	146.284.122.1
	T47	1 3/8" Z21	196	7 23/32"	184	7 1/4"	26	1 1/32"	2000	17700	146.284.123.1
	T48	1 3/4" Z6	196	7 23/32"	188	7 27/64"	26	1 1/32"	2000	17700	146.284.124.1
90	T49	1 3/4" Z20	196	7 23/32"	188	7 27/64"	26	1 1/32"	2000	17700	146.284.125.1
	T46	1 3/8" Z6	196	7 23/32"	184	7 1/4"	26	1 1/32"	2000	17700	146.294.116.1
	T47	1 3/8" Z21	196	7 23/32"	184	7 1/4"	26	1 1/32"	2000	17700	146.294.117.1
	T48	1 3/4" Z6	196	7 23/32"	188	7 27/64"	26	1 1/32"	2000	17700	146.294.118.1
	T49	1 3/4" Z20	196	7 23/32"	188	7 27/64"	26	1 1/32"	2000	17700	146.294.119.1

## SAFETY CLUTCH



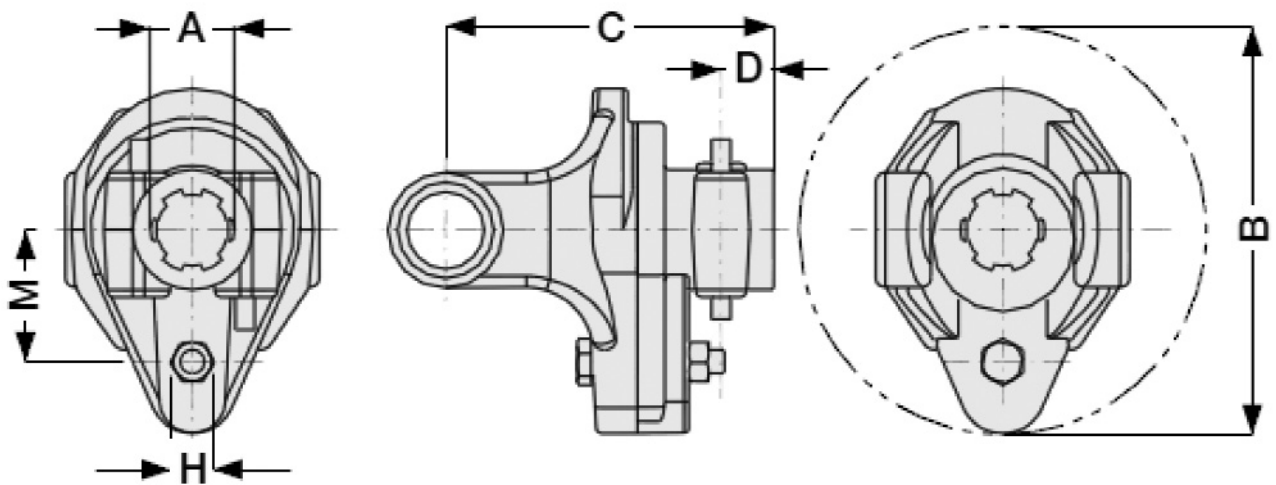
COMER NUMBER	REF	SERIES	A	B mm	C mm	D mm	TORQUE MAX Nm
146.262.001	F22	6	1 3/8 Z6	195	146	26	1200
146.264.011	F42	6	1 3/8 Z6	195	156	26	1600
146.264.014	F45	6	1 3/4 Z20	195	156	26	1600
146.284.011	F42	8	1 3/8 Z6	195	169	26	2000
146.284.013	F44	8	1 3/4 Z6	195	169	26	2000
146.284.014	F45	8	1 3/4 Z20	195	169	26	2000

## COMBINATION OF OVER RUN & SAFETY CLUTCH



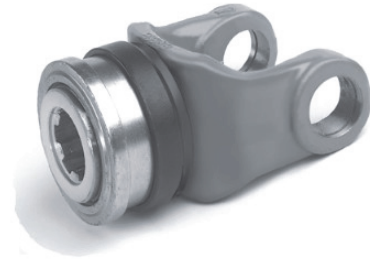
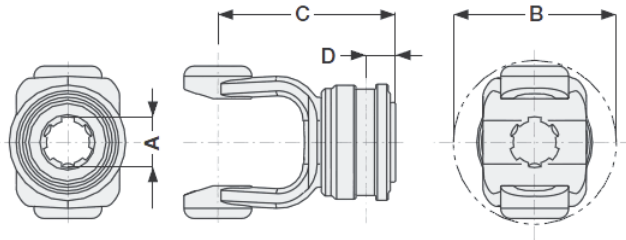
COMER NUMBER	REF	SERIES	A	B mm	C mm	D mm	TORQUE MAX Nm
146.342.001	RF2	4	1 3/8 Z6	195	175	26	900
146.364.001	RF6	6	1 3/8 Z6	195	190	26	1400
146.364.004	RF9	6	1 3/4 Z20	195	190	26	1400
146.384.002	RF7	8	1 3/8 Z21	195	203	26	1400
146.384.003	RF8	8	1 3/4 Z6	195	203	26	1400
146.384.004	RF8	8	1 3/4 Z20	195	203	26	1400

# SHEAR BOLT TORQUE LIMITER



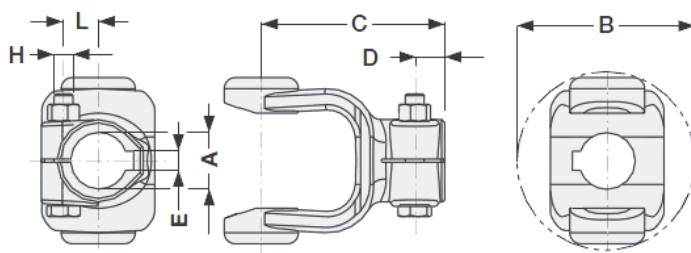
COMER NUMBER	REF	SERIES	A	B mm	C mm	D mm	TORQUE MAX Nm
143.206.001	B02	6	1 3/8 Z6	162	137	22	2500
143.260.002	B04	6	1 3/4 Z6	162	137	22	2500
143.260.004	B05	6	1 3/4 Z20	162	137	22	2500
143.280.001	B02	8	1 3/8 Z6	162	146	22	3500
143.280.003	B03	8	1 3/8 Z21	162	146	22	3500
143.280.002	B04	8	1 3/4 Z6	162	146	22	3500
143.280.004	B05	8	1 3/4 Z20	162	146	22	3500

## YOKE COLLAR



COMER NUMBER	REF	SERIES	A	B mm	C mm	D mm
141.024.430	C12	4	1 3/8 Z6	94	111	26
141.024.437	C13	4	1 3/8 Z21	94	111	26
141.026.544	C12	6	1 3/8 Z6	115	123	26
141.026.553	C13	6	1 3/8 Z21	115	123	26
141.026.555	C15	6	1 3/4 Z20	115	131	29.5
141.028.423	C12	8	1 3/8 Z6	132	137	26
141.028.426	C13	8	1 3/8 Z21	132	137	26
141.028.428	C15	8	1 3/4 Z20	132	142	29.5

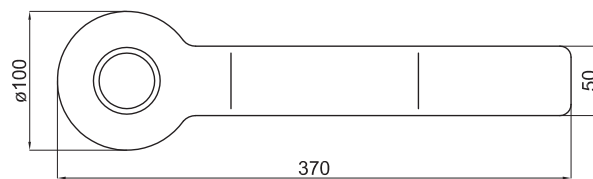
## YOKE NON INTERFERING CLAMP BOLT



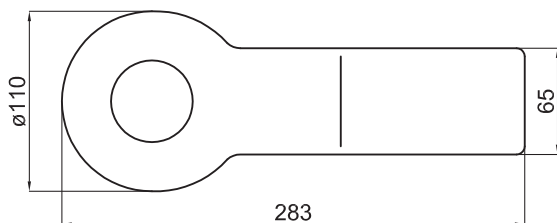
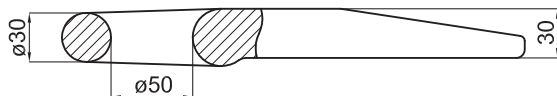
COMER NUMBER	REF	SERIES	A	B mm	C mm	D mm
141.024.032	443	4	1 1/4	94	107	19
141.024.080	444	4	1 3/8	94	107	19
141.026.059	443	6	1 1/4	115	116	19
141.028.042	344	8	35 mm	132	124	19



PART NUMBER	7930
OLD NUMBER	AL02767
TYPE	RIGID
EYE DIAMETER	40 mm
SHANK DIAMETER	50 mm X 50 mm
LENGTH	370 mm
PULL LOAD	7,000 KG
VERTICAL LOAD	1,000 daN

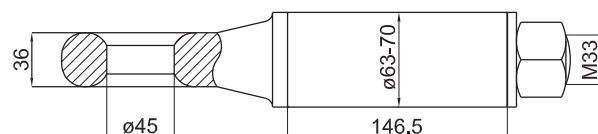


COD. 7930  
COD. 7974

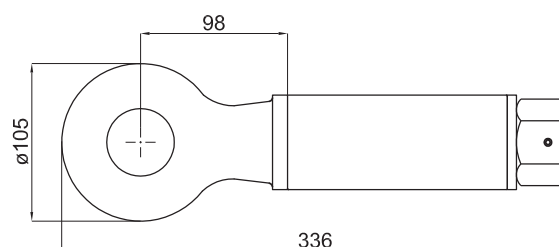


COD. 7935

PART NUMBER	7935
OLD NUMBER	AL02766
TYPE	RIGID
EYE DIAMETER	50 mm
SHANK DIAMETER	65 mm
LENGTH	283 mm
PULL LOAD	20,000 KG
VERTICAL LOAD	1,000 daN



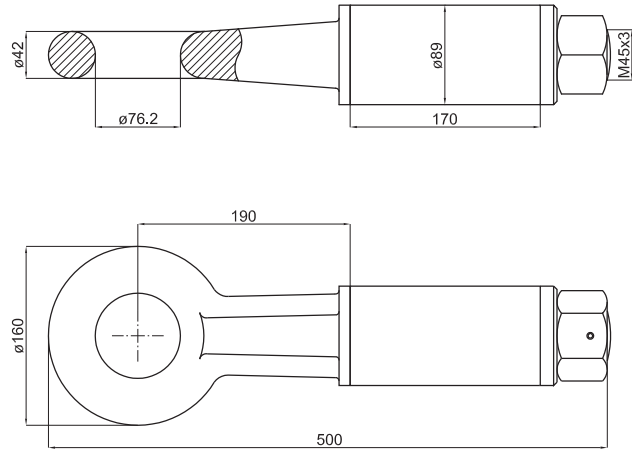
PART NUMBER	7906
OLD NUMBER	AL02763
TYPE	SWIVEL
EYE DIAMETER	45 mm
SHANK DIAMETER	63 mm
LENGTH	340 mm
PULL LOAD	6,000 KG
VERTICAL LOAD	2,300 daN



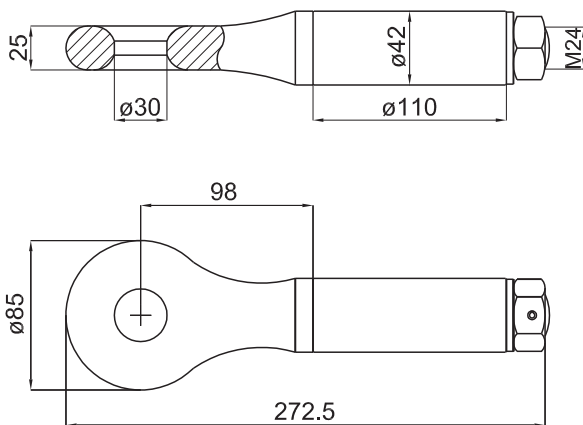
COD. 7906  
COD. 7907



PART NUMBER	7959
OLD NUMBER	AL02768
TYPE	SWIVEL
EYE DIAMETER	76.2 mm
SHANK DIAMETER	89 mm
LENGTH	503 mm
PULL LOAD	20,000 KG
VERTICAL LOAD	2,500 daN



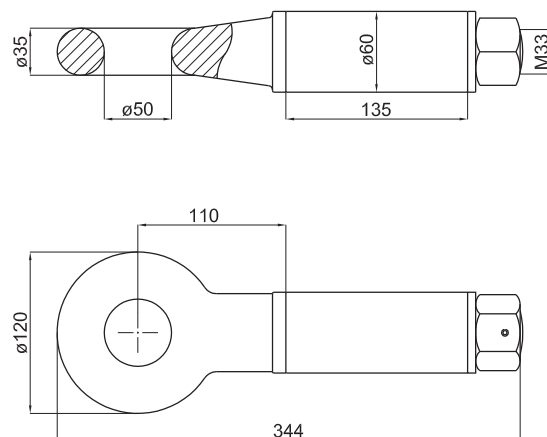
COD. 7959



COD. 7902

PART NUMBER	7902
OLD NUMBER	AL02765
TYPE	SWIVEL
EYE DIAMETER	30 mm
SHANK DIAMETER	42 mm
LENGTH	275 mm
PULL LOAD	3,000 KG
VERTICAL LOAD	200 daN

PART NUMBER	7926
OLD NUMBER	AL02764
TYPE	SWIVEL
EYE DIAMETER	50 mm
SHANK DIAMETER	60 mm
LENGTH	326 mm
PULL LOAD	14,000 KG
VERTICAL LOAD	1,700 daN

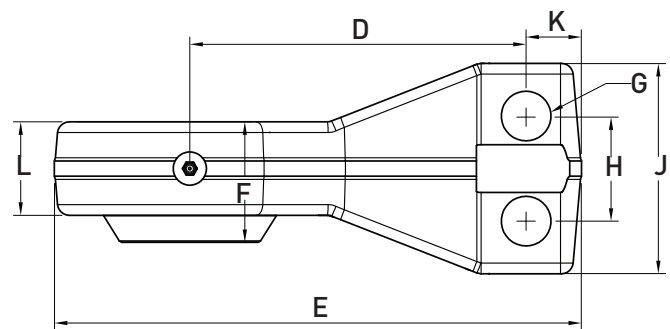
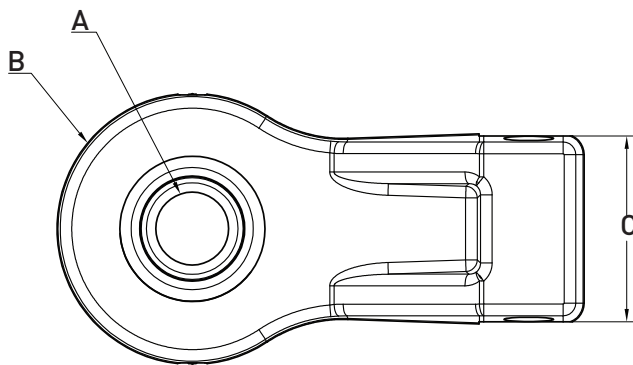


COD. 7926





## STANDARD MOUNT



CATEGORY	PART NO	DRAW PIN SIZE	BALL HOUSING DIA.	RECEIVER WIDTH	DRAW PIN TO HOLE MTG	OVERALL LENGTH	HEIGHT (FOR DRAWBAR STRAP)	BOLT HOLE SIZE	BOLT HOLE DISTANCE	#OF BOLT HOLES IN RECEIVER	RECEIVER HEIGHT	HOLE CENTRE TO BACK RECEIVER	BALL HOUSING THICKNESS	WEIGHT KG
		A	B	C	D	E	F	G	H	I	J	K	L	
	BPF-CAT 3	1-1/4"	5-1/2"	4"	7-1/2"	11"	2-3/4"	1" BOLT	2-1/4"	2	4-1/2"	1-1/4"	2"	14.06
	BPF-CAT 4	1-1/2" OR 2"	5-1/2"	4"	7-1/4"	11"	2-3/4"	1" BOLT	2-1/4"	2	4-1/2"	1-1/4"	2"	14.06
	BPF-CAT 4Z	1-1/2" OR 2"	6-3/8"	4"	7-1/2"	11-3/8"	2-3/4"	1" BOLT	2-1/4"	3	6-3/4"	1-1/8"	2"	17.69
	BPF-CAT 45	2-3/4"	6-3/8"	4"	7-3/8"	11-3/8"	3-3/8"	1" BOLT	2-1/4"	2	6-3/4"	1-1/8"	2"	17.24
	BPF CAT 5	2-3/4"	6-3/8"	4"	7-3/8"	11-3/8"	3-3/8"	1" BOLT	2-1/4"	3	6-3/4"	1-1/4"	2-3/8"	16.78

# TOWING

AUTO-LOCK couplings lock automatically when ball enters coupling jaws. All couplings come with a manual pin lock, which must be engaged prior to moving vehicle. If you are using a ball coupling for towing on Australian roads, it must be A.D.R. approved. SM300 and GP300 have been fully tested and certified by a Government approved testing authority.

## On-Road Couplings

- 3 inch (76.2mm) ball couplings
- 2 types complete with fully machined steel ball
- Use for on or off-road applications
- Approved and tested to ADR62/02
- Only complies with ADR when used with approved matching steel balls
- Fully Tested



GP-300AE



SM300AE

PART NUMBER	MODEL	WEIGHT	CAPACITY	TO SUIT
139.334.110	SM300AE	8.2KG	10,000KG	76.2mm BALL
139.334.120	GP-300AE	9.2KG	10,000KG	76.2mm BALL
139.334.010	BALL	5.0KG	10,000KG	COUPLERS

## Off-Road Couplings

- 2 5/16 (58.737mm)
- Approved coupling for off-road agricultural and industrial uses
- All steel, heavy duty coupling
- Well proven
- Back tractor into implement & coupling closes automatically
- For full safety, use manual pin lock



139.592.010



FB-2516AE

PART NUMBER	MODEL	WEIGHT	CAPACITY	TO SUIT
139.592.050	FB-2516AE	8.2KG	6,000KG	58.737mm BALL
139.592.010	BALL	2.5KG	6,000KG	FB-2516AE

## TURNTABLE / SLEWING RINGS

### Turntable Ball Bearings

#### Applications and use of ball turntable bearings

Our range of turntable ball bearings are used in several applications; amongst the most important we could mention are agricultural trailers, irrigation systems and airport luggage carriers.

In the applications on vehicles, ball turntable bearings transmit not only axial load, but also radial load and torque.

In other applications they transmit mostly axial load.

The turntable bearings in the L range are suitable for use on light vehicles with a speed of up to 25 km/h.

Turntable bearings in the N-P-T ranges can be used on vehicles with a speed of up to 40 km/h. The following information includes the limit values of axial load capacity for a speed of 25 km/h.

For applications with speeds above 25 km/h and up to 40 km/h, the load capacity decreases.

For applications with speeds of less than 25 km/h, the load capacity may increase up to a maximum of 40%, depending on the size and type of bearing.

In these cases further technical information may be required to determine the acceptable load capacity of the turntable bearing.

The values shown are valid for use on vehicles that circulate on the roads and under conditions of conventional transport in Europe.

#### Construction of ball turntable bearings

The turntable basically consists of two flange rings which have a semi-circular shaped rolling track. The two rings are securely assembled by inserting steel ball rollers. The units are then thoroughly greased before prime painting and final inspection.

#### Conditions and Supply of ball turntable bearings

The turntable bearings are supplied with a protective coating of black paint, this is to adequately protect the product until the end use. The turntable bearings leave the factory already greased and have greasers on the outside. The turntable bearings do not have holes for fixing bolts.

#### Assembly of ball turntable bearings

Turntable bearings must be fixed to the structure by using bolts.

For correct fixing of the turntable bearing, it is important that the supporting surfaces be as flat and rigid as possible. It should be ensured that the turntable bearing rests on the connecting structure with at least 50% of its surface and that the supporting areas are distributed symmetrically in regard to the direction of movement.

Holes in line with the ball loading plug are not permitted; this plug may be recognised by the welding on the raceway of the external ring.

The plug should be placed between 45° and 90° with regard to the direction of movement.

To fix the turntable bearing, at least 8.8 quality bolts must be used. The size of the bolts and the recommended tightening torque values are indicated in the table.

The addition of suitable steel locating blocks (at least four per side), welded to the supporting structure, allows the bolts to discharge the radial thrust that occurs due to acceleration and deceleration.

It is advisable to carry out a second greasing before assembly.

It is very important that at no time the small manufacturers plate on the outer circumference of the turn table is damaged during the drilling of the fixing holes. When fitting the turntable, position the manufacturers plate so it faces the direction of travel.



## TURNTABLE / SLEWING RINGS

TYPE OF TURNTABLE BEARING	MINIMUM NO. OF BOLTS	BOLTS		
		TYPE	QUALITY	NUT
L-300-400-500-600	4	M12	8.8 min.	Hexagonal or self blocking
N-600-650-700-750	6	M12-M14		
N-800-850-900-950 N-1000-1050	6	M14-M16		
P-900-1000-1100 T-1000-1100	8			

Level of resistance according to DIN/ISO 898	<b>8.8</b>
limit tensile strength Rp0.2 in N/mm <sup>2</sup>	<b>640</b>

METRIC THREAD ACCORDING TO	RESISTING SECTION	CORE SECTION	TENSIONING FORCE	ASSEMBLY AND TIGHTENING TORQUE	
DIN/ISO 13	As	A3	F <sub>N</sub>	M's	
	mm <sup>2</sup>	mm <sup>2</sup>	M	Nm	Kgm
M12	84.3	76.2	38500	78	8
M14	115	105	53000	126	13
M16	157	144	72000	193	20

### Maintenance of ball turntable bearings

It is good practise to carry out periodic lubrication of the turntable bearing.

The frequency of greasing must be programmed according to working conditions, on average once a month. The operation of pumping new grease should be carried out until the grease leaks out of the fissure between the two rings.

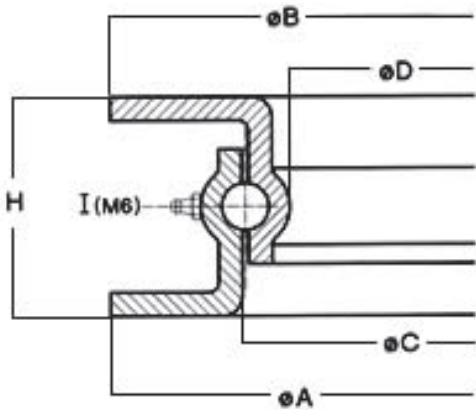
During the greasing operation, allow the turntable bearing to rotate.

Lithium grease designated with the marking EP2 or 2 by the leading manufacturers, may be used.

For bolts, we advise that you carry out inspections, once a month and depending on use, on the tightening force of the screws, according to the values indicated in the table.



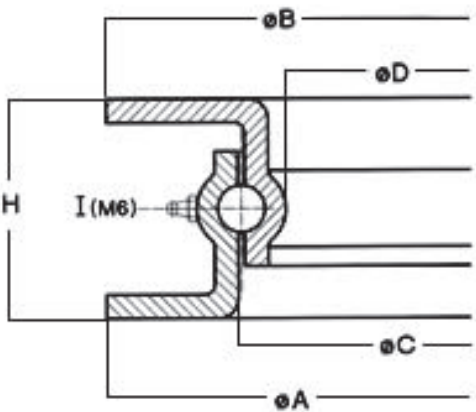
## L-RANGE TURNTABLE BEARINGS



Maximum Axial Load = 1000kg

Part Number	Measurements (mm)					Number of Greasers	Weight (kg)	Axial Load (tonnes)
	H	A	B	C	D			
AL02303	55	298	293	220	200	1	8	0.5
AL02304	55	400	400	320	300	1	5	0.75
AL02305	55	500	500	330	400	1	10	1

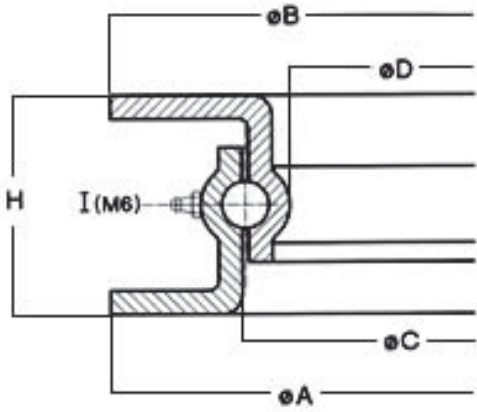
## N-RANGE TURNTABLE BEARINGS



Maximum Axial Load = 4500kg

Part Number	Measurements (mm)					Number of Greasers	Weight (kg)	Axial Load (tonnes)
	H	A	B	C	D			
AL02306	65	600	600	516	490	2	18	1.7
AL02307	65	650	650	568	543	2	20	1.7
AL02309	65	750	750	668	640	2	24	2.2
AL02310	65	800	800	718	690	2	26	2.5
AL02311	65	850	850	767	742	2	28	3
AL02312	65	900	900	820	793	2	30	3.5
AL02314	65	1000	1000	920	895	2	33	4
AL02315	65	1050	1050	970	945	2	35	4.5

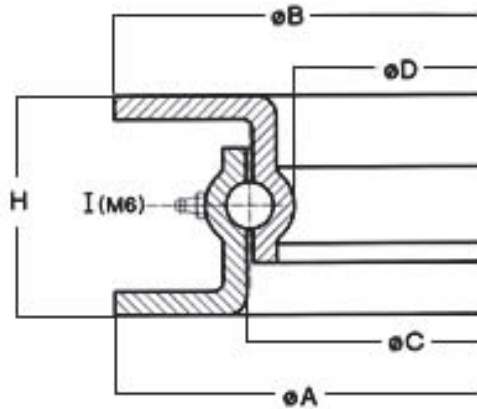
## P-RANGE TURNTABLE BEARINGS



Maximum Axial Load = 6500kg

Part Number	Measurements (mm)					Number of Greasers	Weight (kg)	Axial Load (tonnes)
	H	A	B	C	D			
AL02317	80	1100	1105	1005	976	2	45	6.5

## T-RANGE TURNTABLE BEARINGS



Maximum Axial Load = 10,000kg

Part Number	Measurements (mm)					Number of Greasers	Weight (kg)	Axial Load (tonnes)
	H	A	B	C	D			
AL02319	90	1100	1100	980	948	2	65	10

# TRAILER COMPONENTS

## TIPPER TRAILER KITS



### BRONZE

<p><b>TKBRONZESHORT</b> YBZ5-E2.5D1W2/WUCAERCA</p> <p>4TG-E90*800QZ</p> <p>THKSG2.0M</p>	<p><b>Short Bronze Kit</b> HPU 12V 2.5cc 10L SSH SLV RCA 12V Standard 1.5kW Motor 2.5cc Pump 10L Steel Square Horizontal Reservoir Solenoid Lowering Valve 3m Pendant Break Away</p> <p>Cylinder Telescopic UB C Ball 2B 4ST 110D 800STR 4 Stage 800mm Stroke</p> <p>Tipper Hose Kit Bronze 2M 2 x Nipple 3/8" BSPPM x 9/16" JICM Elbow Swivel 90° BSPPM x JICM 1/2" x 9/16" Hose Assembly 2m x 3/8" c/w Hose Ends 9/16" JICF</p>
<p><b>TKBRONZESHORT</b> YBZ5-E2.5D1W2/WUCAERCA</p> <p>4TG-E90*850QZ</p> <p>THKSG2.0M</p>	<p><b>Short Bronze Kit</b> HPU 12V 2.5cc 10L SSH SLV RCA 12V Standard 1.5kW Motor 2.5cc Pump 10L Steel Square Horizontal Reservoir Solenoid Lowering Valve 3m Pendant Break Away</p> <p>Cylinder Telescopic UB C Ball 2B 4ST 110D 800STR 4 Stage 850mm Stroke</p> <p>Tipper Hose Kit Bronze 2M 2 x Nipple 3/8" BSPPM x 9/16" JICM Elbow Swivel 90° BSPPM x JICM 1/2" x 9/16" Hose Assembly 2m x 3/8" c/w Hose Ends 9/16" JICF</p>
<p><b>TKBRONZELONG</b> YBZ5-E2.5D1W2/WUCAERCA 6TG-E105*1000QZ</p> <p>THKSG2.0M</p>	<p><b>Long Bronze Kit</b> HPU 12V 2.5cc 10L SSH SLV RCA Cylinder Telescopic UB C Ball 2B 6ST 125D 1000STR 6 Stage 1000mm Stroke</p> <p>Tipper Hose Kit Bronze 2M</p>
<p><b>TKBRONZEXLONG</b> YBZ5-E2.5D1W2/WUCAERCA 6TG-E120*1250QZ</p> <p>THKSG2.5M</p>	<p><b>Extra Long Bronze Kit</b> HPU 12V 2.5cc 10L SSH SLV RCA Cylinder Telescopic UB C Ball 2B 6ST 145D 1250STR 6 Stage 1250mm Stroke</p> <p>Tipper Hose Kit Bronze 2.5M Hose Assembly 2.5m x 3/8" c/w Hose Ends 9/16" JICF</p>

# TRAILER COMPONENTS

## TIPPER INSTALLATION KITS

BRONZE	
TIKB 160414 VH2-38/61	Kit Tipper Installation Bronze Hinge Trailer L&R Pair Cable Battery Black Pair 380 & 610mm
SILVER	
TIKS 160414 160130 VH2-38/61	Kit Tipper Installation Silver Hinge Trailer L&R Pair Pads Deck Trailer Pair Cable Battery Black Pair 380 & 610mm
GOLD	
TIKG 160414 160130 VH2-38/61 RCA-2B3LW	Kit Tipper Installation Gold Hinge Trailer L&R Pair Pads Deck Trailer Pair Cable Battery Black Pair 380 & 610mm Wireless Remote Control SA 2 Button
INDIVIDUAL COMPONENTS	
160414	Hinge Trailer L&R Pair
160130	Pads Deck Trailer Pair
VH2-38	Cable Battery Black 380mm
VH2-61	Cable Battery Black 610mm
RCA-2B3LW	Wireless Remote Control SA 2 Button





# TRAILER COMPONENTS

## HYDRAULIC POWER UNITS



Bronze YBZ5-E2.5D1W2/WUCAERCA	HPU 12V 2.5cc 10L SSH SLV RCA
Bronze – 6L Round Reservoir YBZ5-E2.5BC1W2/WUAAERCA	HPU 12V 2.5cc 6L SRH SLV RCA
Silver YBZ5-E2.5D1W2/WUCAERCABL-I3.2	HPU 12V 2.5cc 10L SSH SLV RCA 11lpm
Gold YBZ5-E2.5D1W2/WUCHETORCABL-I3.2	HPU 12V 2.5cc 10L SSH SLV MO TO RCA 11lpm
Gold – 15L Reservoir YBZ5-E2.5GA1W2/WUCHETORCABL-I3.2	HPU 12V 2.5cc 15L SSH SLV MO TO RCA 11lpm
Pendants RCA-2B3L3M-B RCA-2B3LW	Pendant SA 2 Button 3M Lead Wireless Remote Control SA 2 Button
Dust Cover YBZ-DJZK-01	Cover Dust Std DC Motors



## HOSE ASSEMBLY KITS

Bronze THKB2.0M THKB2.5M	Tipper Hose Kit Bronze 2M Tipper Hose Kit Bronze 2.5M
Silver / Gold THKSG2.0M THKSG2.5M	Tipper Hose Kit Silver / Gold 2M Tipper Hose Kit Silver / Gold 2.5M
Hose Burst Valve VUBA02 CFFVRD02	Valve Hose Burst Cartridge 3/8" Valve Inline Body for 3/8" VUBA Cartridge



## BOAT WINCHES

SUPPLIED WITH DYNEEMA ROPE



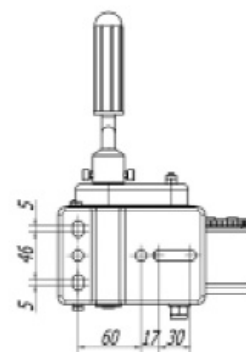
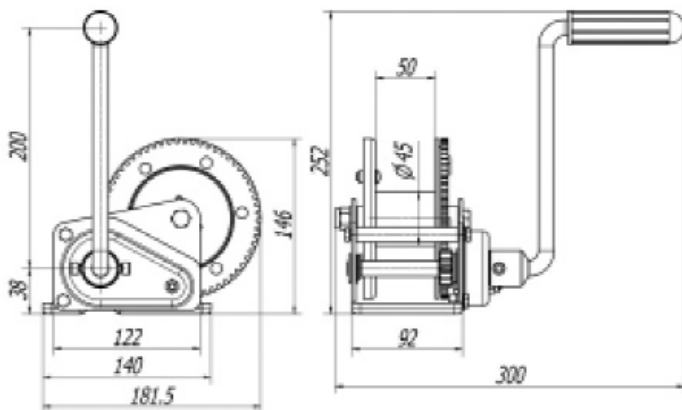
PART NUMBER	RATING LBS	RATING KG	RATIO	ROPE DIMENSION
RHW900WR	900	409	1:1	4.76 mm x 6m
RHW1200WR	1200	545	4.1:1	4.76 mm x 8m
RHW2000WR	2000	909	8.8:1	5.56 mm x 10m
PD25WR	2500	1136	5.1:1 12.1:1	5.56 mm x 10m

- \* Extremely compact, will fit in minimum space.
- \* Very low torque required for easy operation.
- \* Formed reinforcements in frame for added strength.
- \* Internally lubricated bushing and pinion shaft bearing for long life and ease of operation.
- \* Heat treated gears.
- \* Gear box and brake all sealed by strong steel cover to avoid dust and rain.
- \* Safety ratchet gear to prevent slipping.
- \* Load activated brake is standard.

## RBW 1500

PART NUMBER	DESCRIPTION
AL01572	Winch & cable, complete with safety hook
AL01572-Q	Winch & cable, with detachable handle
AL01566	Winch only

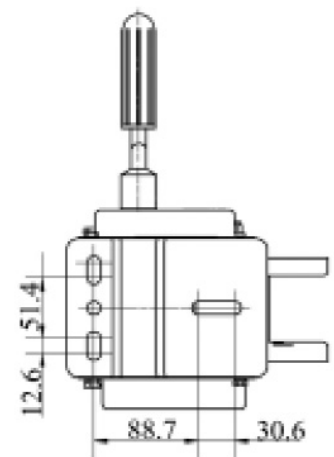
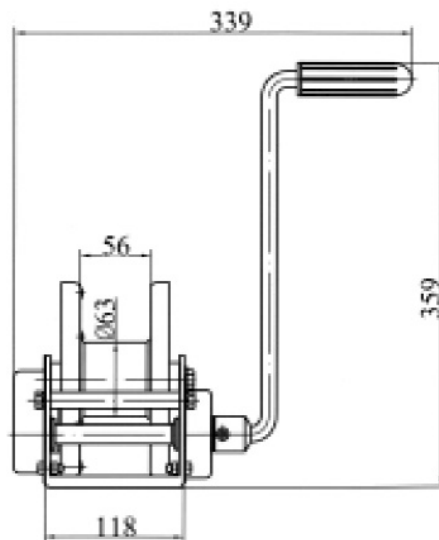
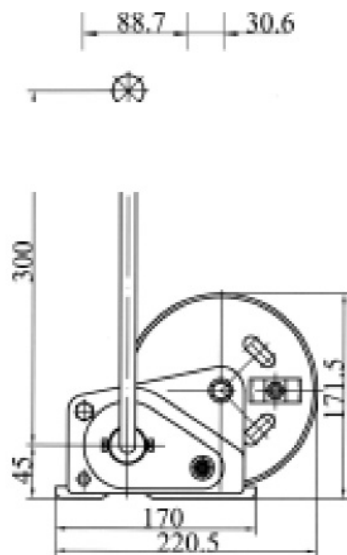
Capacity (lbs/kg)	1500/681
Hand Force Required (lbs)	16
Gear Ratio	4.25:1
Hub Diameter (mm)	45
Handle Length (mm)	205
Unit Weight (kg)	3.2
Gross Weight (kg)	26.5
Rope Diameter (mm)	4 5
Rope Storage Capacity (m)	18 15



## RBW 2500

PART NUMBER	DESCRIPTION
AL01576	Winch & cable, complete with safety hook
AL01576-Q	Winch & cable, with detachable handle
AL01574	Winch only

Capacity (lbs/kg)	2500/1136
Hand Force Required (lbs)	20
Gear Ratio	8.8:1
Hub Diameter (mm)	63
Handle Length (mm)	260
Unit Weight (kg)	6.8
Gross Weight (kg)	29
Rope Diameter (mm)	6 7
Rope Storage Capacity (m)	28 20

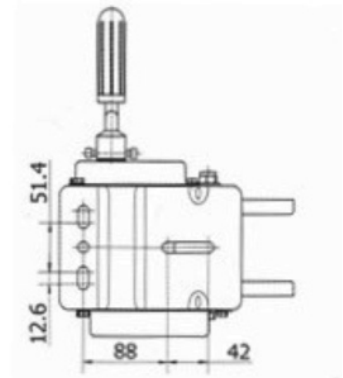
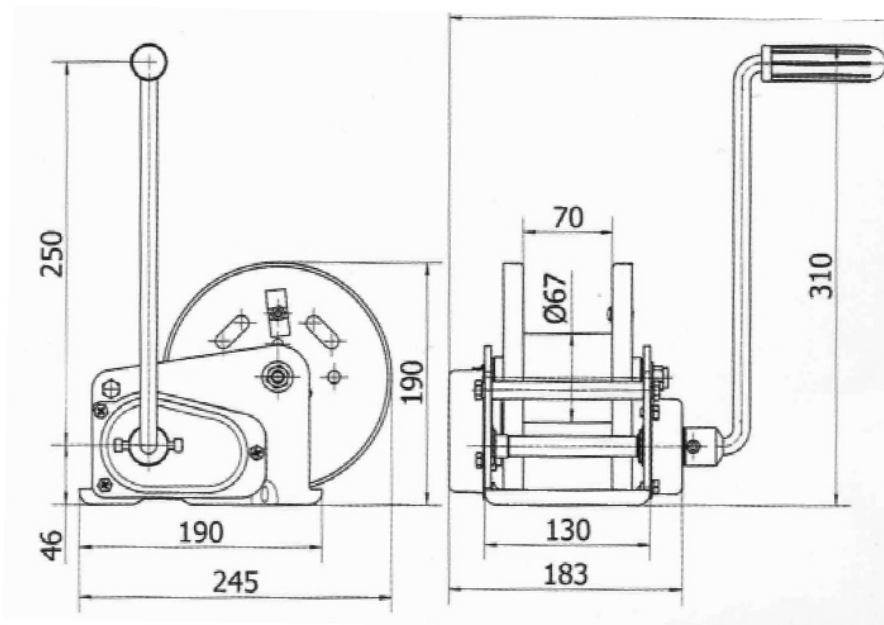


## RBW 3500

**PART NUMBER DESCRIPTION**

AL01577	Winch & cable, complete with safety hook
---------	--

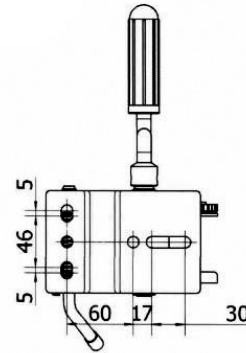
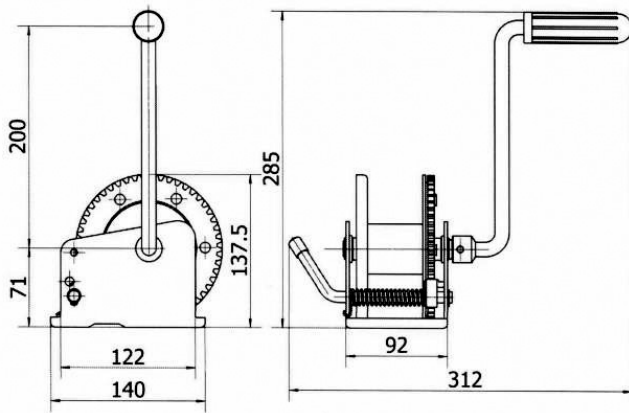
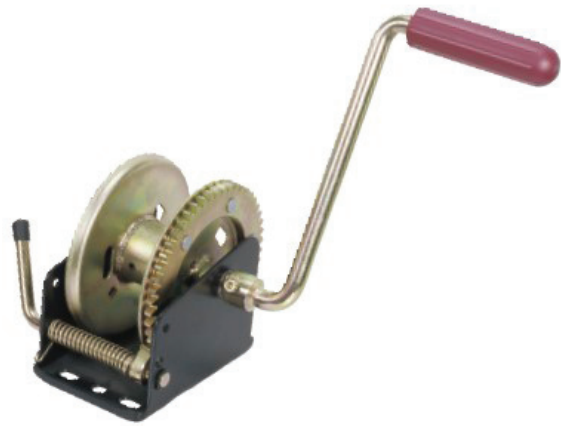
Capacity (lbs/kg)	3500/1588
Hand Force Required (lbs)	20
Gear Ratio	18.4:1
Hub Diameter (mm)	67
Handle Length (mm)	250
Unit Weight (kg)	8.15
Gross Weight (kg)	36
Rope Diameter (mm)	7
Rope Storage Capacity (m)	22



## RHW 450

PART NUMBER	DESCRIPTION
AL02637	Two way ratchet

Capacity (lbs/kg)	440/200
Gear Ratio	1:1
Hub Diameter(mm)	44.6
Spool O.D. (mm)	133

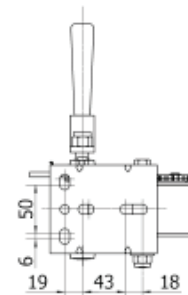
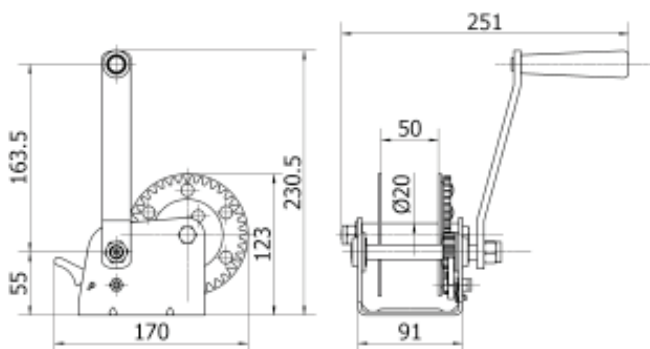


## RHW 900

One way ratchet. Free spool in OFF position.

PART NUMBER	DESCRIPTION
AL01646	Winch & cable, complete with safety hook
AL01650	Winch complete with strap and hook

Capacity (lbs/kg)	900/409
Gear Ratio	3:1
Hub Diameter (mm)	15
Spool O.D. (mm)	95

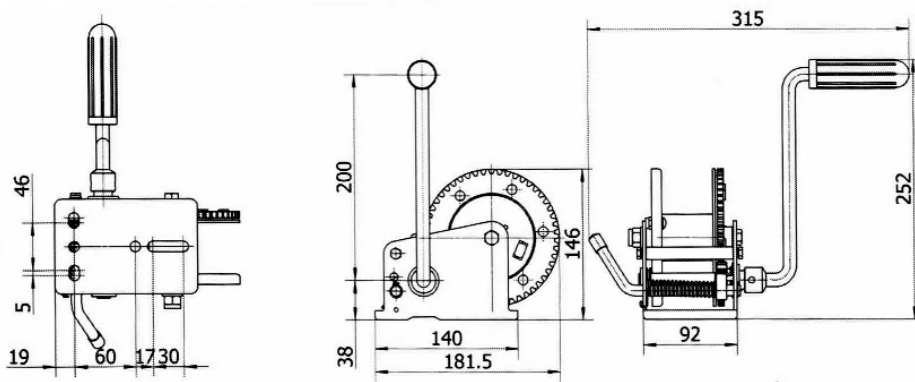


## RHW 1200

One way ratchet. Free spool in OFF position.

PART NUMBER	DESCRIPTION
AL01633	Winch & cable, complete with safety hook

Capacity (lbs/kg)	1200/545.45
Gear Ratio	4.1:1
Hub Diameter (mm)	45
Spool O.D. (mm)	133

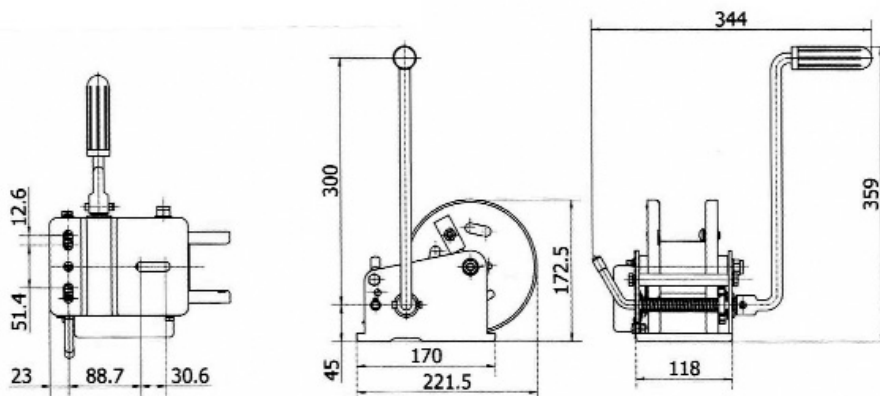
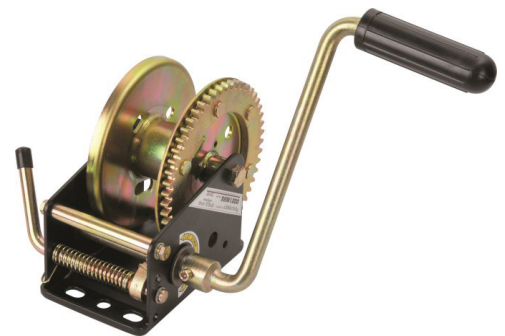


## RHW 2000

One way ratchet. Free spool in OFF position.

PART NO.	DESCRIPTION
AL01637	Winch & cable, complete with safety hook

Capacity (lbs/kg)	2000/909
Gear Ratio	8.8:1
Hub Diameter (mm)	63
Spool O.D. (mm)	160



## PD 25 (Two Speed)

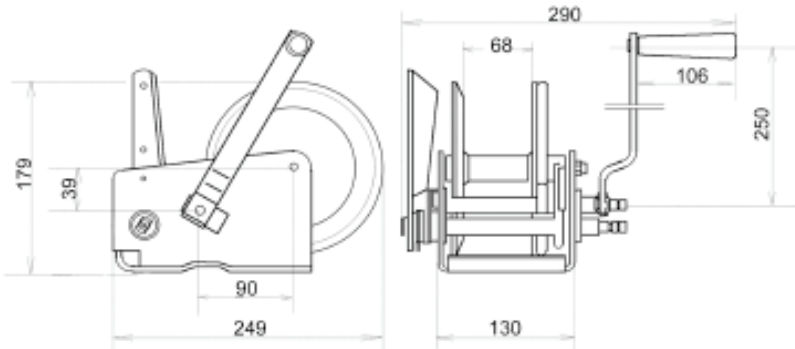
High quality steel hardened gears.  
Two speed, two way ratchet.

Light handle force.  
Manual handbrake.

**PART NUMBER    DESCRIPTION**

AL01511            Winch & cable, complete with safety hook

Capacity (lbs/kg)	2500/1136.36
Gear Ratio	5.1:1 & 12.1:1
Hub Diameter (mm)	26
Spool O.D. (mm)	165





## REW 2200W-12

Planetary gear system for fast line speed.  
Automatic load-holding brake.  
Free Spooling  
Power In and Power Out

1.1kW (1.5hp) heavy duty electric permanent magnetic motor  
Low electric current



### PART NUMBER DESCRIPTION

AL01620 Winch & cable, complete with safety hook

PERFORMANCE OF 1ST CABLE LAYER				
Line Pull		Line Speed		Current Amp 12V
lbs	kg	fpm approx	mpm	
0	0	8.8	2.7	7.5
800	363	6.5	2.0	80
1500	680	5.0	1.6	100
2200	1000	4.0	1.2	140

LINE PULL AND CABLE CAPACITY BY LAYER				
Layer of Cable	Rated line pull per layer			Cable capacity per layer
	lbs	kg	ft	m
1	2200	1000	6.2	2
2	1850	850	16.4	5
3	1400	635	26	8
4	1100	500	37.7	11.5
5	890	360	50	15

SPECIFICATIONS	
Rated line pull	2200lbs/1000kg Single line
Gear reduction ratio	153:1
Motor	12V, Permanent Magnet, 1.1kW (1.5hp/)
Drum size diameter	1.5"/34mm
Drum size length	3.2"/82mm
Cable diameter	3/16"/4.76mm
Cable length *	50'/15m
Weight net	17.5lbs/8kg
Dimensions LxWxH	321x115x110mm
Mounting bolt pattern	1.9x3"/48x76mm

## REW 3500W-12

Planetary gear system for fast line speed.  
Power In and Power Out

1.5kW (2hp) heavy duty electric permanent magnetic motor



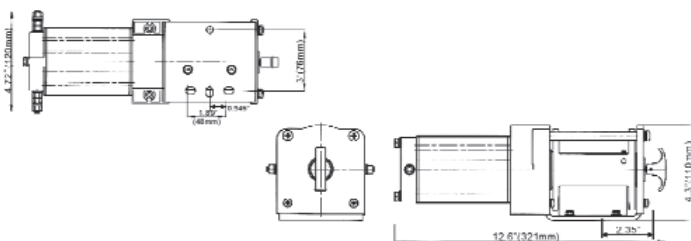
### PART NUMBER DESCRIPTION

AL01623 Winch & cable, complete with safety hook

PERFORMANCE OF 1ST CABLE LAYER				
Line Pull		Line Speed		Current Amp 12V
lbs	kg	fpm approx	mpm	
0	0	15	4.6	10
1000	454	9.2	2.8	40
2000	908	7.5	2.3	80
3000	1362	5	1.5	120
3500	1589	4	1.2	140

LINE PULL AND CABLE CAPACITY BY LAYER				
Layer of Cable	Rated line pull per layer			Cable capacity per layer
	lbs	kg	ft	m
1	3500	1590	6.5	2
2	2800	1270	14.7	4.5
3	2336	1060	25	7.5
4	2000	908	36	11
5	1750	795	45	13.7

SPECIFICATIONS	
Rated line pull	3500lbs/1589kg Single line
Gear reduction ratio	261.8:1
Motor	12V, Permanent Magnet, 1.5kW (2hp/)
Drum size diameter	1.5"/38mm
Drum size length	3.2"/82mm
Cable diameter	7/32"/5.56mm
Cable length *	45'/13.7m
Weight net	20lbs/9kg
Dimensions LxWxH	12.2x4.5x4.3" 334x128x108mm
Mounting bolt pattern	1.9x3"/48x76mm



## REW 6000W-12

Planetary gear system for fast line speed.  
Automatic load-holding brake.  
Free Spooling  
Power In and Power Out

2.7kW (3.6hp) heavy duty electric permanent magnetic motor  
Low electric current



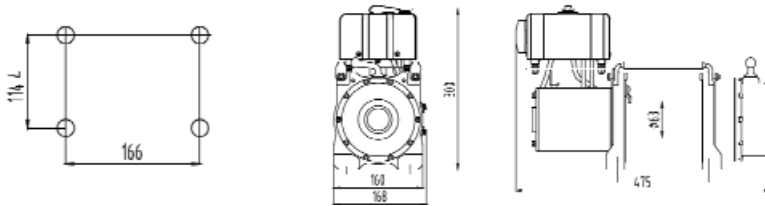
### PART NUMBER DESCRIPTION

AL01626 Winch & cable, complete with safety hook

PERFORMANCE OF 1ST CABLE LAYER				
Line Pull		Line Speed		Current Amp 12V
lbs	kg	fpm approx	mpm	
0	0	15	4.6	30
1000	454	11.5	3.5	80
3000	1361	9	2.7	120
5000	2268	7	2	170
6000	2722	4.7	1.5	210

LINE PULL AND CABLE CAPACITY BY LAYER				
Layer of Cable	Rated line pull per layer			Cable capacity per layer
	lbs	kg	ft	m
1	6000	2722	12.7	3.87
2	5000	2268	27.5	8.38
3	4250	1928	44	13.41
4	3720	1687	64	19.51
5	3300	1497	85	25.91

SPECIFICATIONS	
Rated line pull	6000lbs/2724kg Single line
Gear reduction ratio	210:1
Motor	12V, Permanent Magnet, 2.7kW (3.6hp/)
Drum size diameter	2.5"/63mm
Drum size length	5.51"/140mm
Cable diameter	5/16"/7.94mm
Cable length *	85'/26m
Weight net	70lbs/31.8kg
Dimensions LxWxH	17.24x6.22x7.28" 438x158x185mm
Mounting bolt pattern	1.9x3"/48x76mm



## REW 9000W-12

Planetary gear system for fast line speed.  
Automatic load-holding brake  
Power In and Power Out

1.5kW (2hp) heavy duty electric permanent magnetic motor  
Low electric current



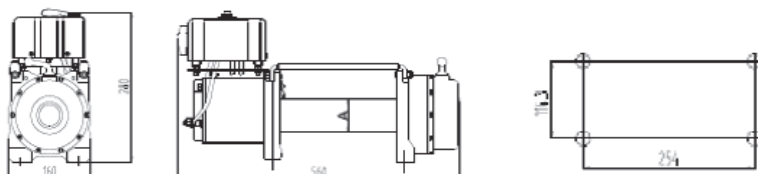
### PART NUMBER DESCRIPTION

AL01629 Winch & cable, complete with safety hook

PERFORMANCE OF 1ST CABLE LAYER				
Line Pull		Line Speed		Current Amp 12V
lbs	kg	fpm approx	mpm	
0	0	10	3.0	30
2000	907	8.8	2.7	85
4000	1814	7.3	2.2	130
6000	2722	6	1.8	180
8000	3629	5	1.5	240
9000	4082	4.3	1.3	300

LINE PULL AND CABLE CAPACITY BY LAYER				
Layer of Cable	Rated line pull per layer			Cable capacity per layer
	lbs	kg	ft	m
1	9000	4082	15	5
2	7300	3311	38	11.5
3	6200	2812	64	19.5
4	5400	2449	95	29
5	4200	1905	100	30.5

SPECIFICATIONS	
Rated line pull	9000lbs/4082kg Single line
Gear reduction ratio	210:1
Motor	12V, Permanent Magnet, 3.3kW (4.5hp/)
Drum size diameter	2.5"/63mm
Drum size length	9"/228mm
Cable diameter	3/8"/9.52mm
Cable length *	100'/30.5m
Weight net	82lbs/37kg
Dimensions LxWxH	21.8x7x6.83" 554x178x173.5mm
Mounting bolt pattern	10x4.5"/254x114.3mm



## RS12000i

### PART NUMBER

AL02685

### DESCRIPTION

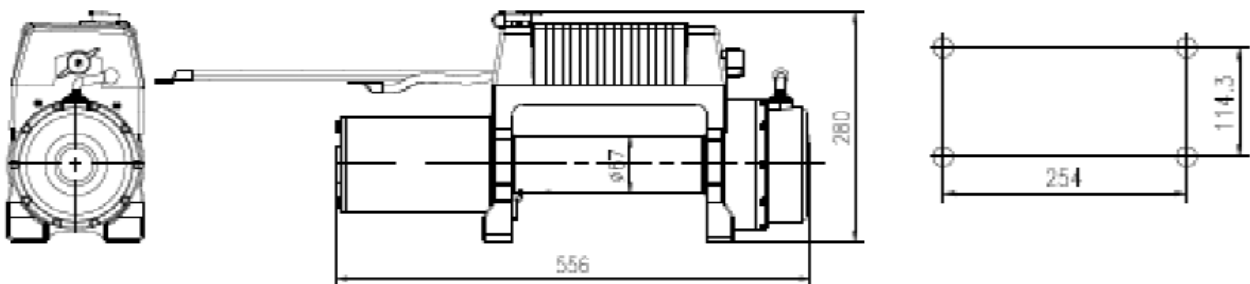
Planetary gear system for fast line speed  
Automatic Load-holding brake  
Free Spooling

3.6kW (4.8hp) heavy duty series wound DC motor  
Low electric current  
Power In & Power Out  
Hardened drum

PERFORMANCE OF 1ST CABLE LAYER				
Line Pull		Line Speed		Current Amp 12V
lbs	kg	fpm approx	mpm	
0	0	14.60	4.45	90
2000	907	12.81	3.90	145
4000	1814	9.68	2.95	185
8000	3629	7.07	2.15	270
10000	4536	5.06	1.54	315
12000	5443	4.45	1.36	375

LINE PULL AND CABLE CAPACITY BY LAYER				
Layer of Cable	Rated line pull per layer			Cable capacity per layer
	lbs	kg	ft	m
1	12000	5443	15	5
2	10200	4327	38	11.5
3	8400	3810	64	19.5
4	7300	3310	95	29
5	6500	2948	100	30.5

SPECIFICATIONS	
Rated line pull	12000lbs/5443kg Single line
Gear reduction ratio	295.75:1
Motor (Series Wound)	12V, 3.6kW (4.8hp/)
Drum size inches	2.64x9
Drum size mm	67x228
Cable diameter	3/8"/9.52mm
Cable length *	100'/30.5m
Weight net	94.8lbs/43kg
Dimensions LxWxH	21.57x6.57x10" 548x167x254mm
Mounting bolt pattern	10x4.5"/254x114.3mm



## REW RS15000C

### PART NUMBER

AL02675

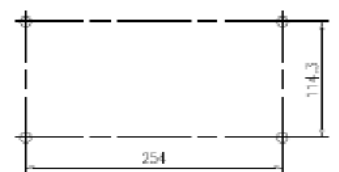
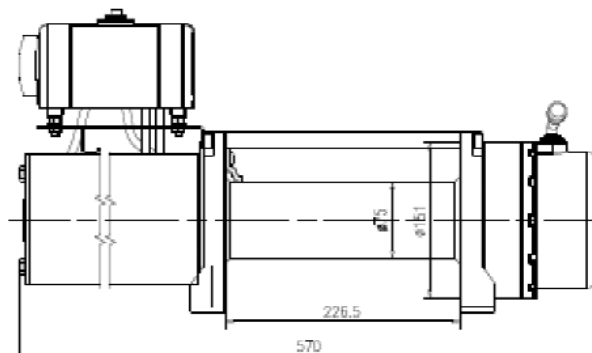
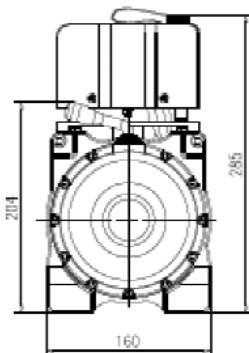
Planetary gear system for fast line speed  
 Automatic Load-holding brake  
 Power In & Power Out  
 5.5kW (7.3hp) heavy duty series wound DC motor  
 Hardened drum

\*\*\*  
**ALSO AVAILABLE**  
**IN 24 VOLT**  
 \*\*\*

PERFORMANCE OF 1ST CABLE LAYER				
Line Pull		Line Speed		Current Amp 12V
lbs	kg	fpm approx	mpm	
0	0	15.8	4.8	74
5000	2270	7.6	2.3	202
9000	4086	5.9	1.8	290
12000	5448	4.6	1.4	335
15000	6810	3.3	1.0	420

LINE PULL AND CABLE CAPACITY BY LAYER				
Layer of Cable	Rated line pull per layer		Cable capacity per layer	
	lbs	kg	ft	m
1	15000	6810	19.0	5.8
2	12100	5490	43.0	13.1
3	10200	4630	78.0	24.0

SPECIFICATIONS	
Rated line pull	15000lbs/6810kg Single line
Gear reduction ratio	295.75:1
Motor (Series Wound)	12V, 5.5kW (7.3hp/)
Drum size inches	2.95x8.97
Drum size mm	75x228
Cable diameter	10mm
Cable length *	24m
Weight net	46kg
Dimensions LxWxH	22.44x6.29x11" 570x160x280mm
Mounting bolt pattern	10x4.5"/254x114.3mm



## RYW 9000

### PART NUMBER

AL01680

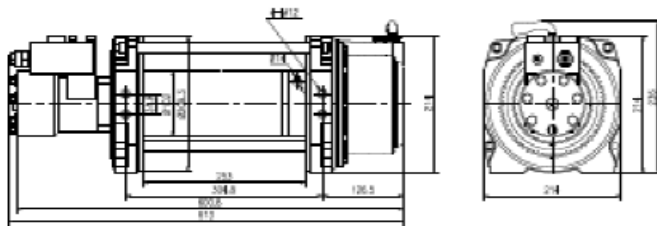
80.6cm<sup>3</sup>/rev Hydraulic motor  
 High speed performance motor  
 Auto brake on both directions  
 Unique clutch  
 Reinforced frame



PERFORMANCE OF 1ST CABLE LAYER					
Line Pull		Line Speed		Flow l/min	Pres Mpa
lbs	kg	ft/min	m/min		
4000	1816	26	8	56.3	5
8000	3632	27	8.3	56.4	10.7
9000	4086	28	8.5	55.8	11.6

Layer of cable	Rated line pull per layer		Speed		Cable capacity	
	lbs	kg	ft/min	m/min	ft	m
	1	9000	4086	31	9.4	24
2	7670	3482	37	11.2	53	26.5
3	6710	3046	43	13.0	87	38.4
4	5940	2697	48	14.8	126	

SPECIFICATIONS	
Rated line pull	9000lbs/4086kg Single line
Gear reduction ratio	27.42:1
Motor	80.6cm <sup>3</sup> /rev
Max flow (l/min)	Cont: 60L Int: 75L
Drum size mm	102x253
Cable diameter	9.5mm
Cable length *	100'/30.5m
Weight net	44kg
Dimensions LxWxH	613x214x245.5mm
Mounting bolt pattern	304.8mm x 114.3mm & 165mm



## RYW 18000

### PART NUMBER

AL01684

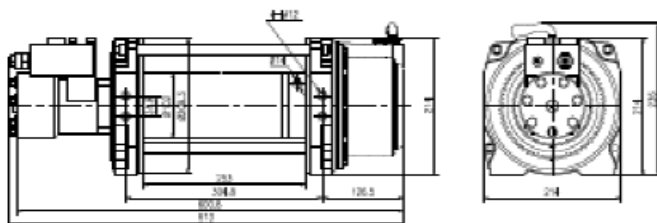
80.6cm<sup>3</sup>/rev Hydraulic motor  
 High speed performance motor  
 Auto brake on both directions  
 Unique clutch  
 Reinforced frame



PERFORMANCE OF 1ST CABLE LAYER					
Line Pull		Line Speed		Flow l/min	Pres Mpa
lbs	kg	ft/min	m/min		
6000	2724	14.4	4.4	57.6	3.2
12000	5448	14.1	4.3	57.0	6.8
15000	6810	14.1	4.3	56.3	8.1
18000	8172	14.1	4.3	56.7	9.8

Layer of cable	Rated line pull per layer		Speed		Cable capacity	
	lbs	kg	ft/min	m/min	ft	m
	1	18000	8172	16.1	4.9	18.8
2	14727	6686	19.7	6.0	41.7	12.7
3	12462	5658	23.2	7.1	68.8	21.0

SPECIFICATIONS	
Rated line pull	18000lbs/8172kg Single line
Gear reduction ratio	36:1
Motor	80.6cm <sup>3</sup> /rev
Max flow (l/min)	Cont: 60L Int: 75L
Drum size mm	102x253
Cable diameter	12.7mm
Cable length *	100'/30.5m
Weight net	51kg
Dimensions LxWxH	650x214x240mm
Mounting bolt pattern	304.8mm x 114.3mm & 165mm



ELECTRIC WINCHES




## WINCH MOTOR

	WS2319 Winch motor to suit REW 2200
	WS2320 Winch motor to suit REW 3500
	WS2337 Winch motor to suit REW 6000
	WS2332 Winch motor to suit REW 9000
	WS2320 Winch motor to suit REW 12000

## SOLENOID ASSEMBLY

	WS2322 Solenoid assembly to suit REW 2200
	WS2323 Solenoid assembly to suit REW 3500
	WS2336 Solenoid assembly to suit REW 6000
	WS2302 Solenoid assembly to suit REW 9000
	WS2303 Solenoid assembly to suit REW 12000

## DYNEEMA ROPE

	WS2362 Dyneema rope to suit REW 6000
	WS2364 Dyneema rope to suit REW 9000
	WS2364 Dyneema rope to suit REW 12000

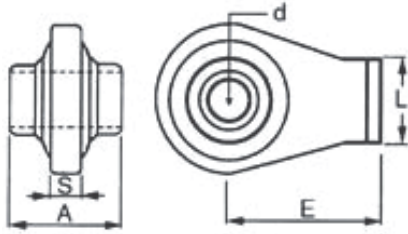
## ROLLER FAIRHEAD

	WS2361 Roller Fairhead to suit REW 3500
	WS2341 Roller Fairhead to suit REW 6000
	WS2307 Roller Fairhead to suit REW 9000
	WS2307 Roller Fairhead to suit REW 12000

## HAND CONTROLLER

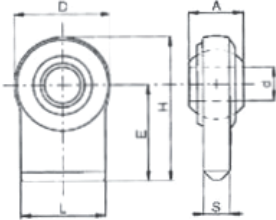
	WS2343 Hand Controller to suit REW 2200
	WS2327 Hand Controller to suit REW 3500
	WS2334 Hand Controller to suit REW 9000
	WS2326 Hand Controller to suit REW 15000C

## WELD ON NARROW SHANK



PART NUMBER	HOLE DIAMETER (d)		D	E	A	S
BJN34	3/4"	19mm	30	52	45	13
BJN100	1"	25.4mm	30	59	51	17

## WELD ON WIDE SHANK



PART NUMBER	HOLE DIAMETER (d)		D	E	A	S
BJW78	7/8"	22mm	62	71	35	16
BJW100	1"	25.4mm	71	78	44	20
BJW118	1 1/8"	28.6mm	70	78	38	20
BJW1716	1 7/16"	36.5mm	78	86	45	20

## WELD IN BALLS

PART NUMBER	HOLE DIAMETER (d)		OUTSIDE DIAMETER	WIDTH
AL00950	7/8"	22mm	67	12.5
AL00952	1"	25.4mm	80	19
AL00954	1 1/8"	28.6mm	80	19
AL00962	1 7/16"	36.5mm	100	25
AL00967	2"	51.3mm	100	33

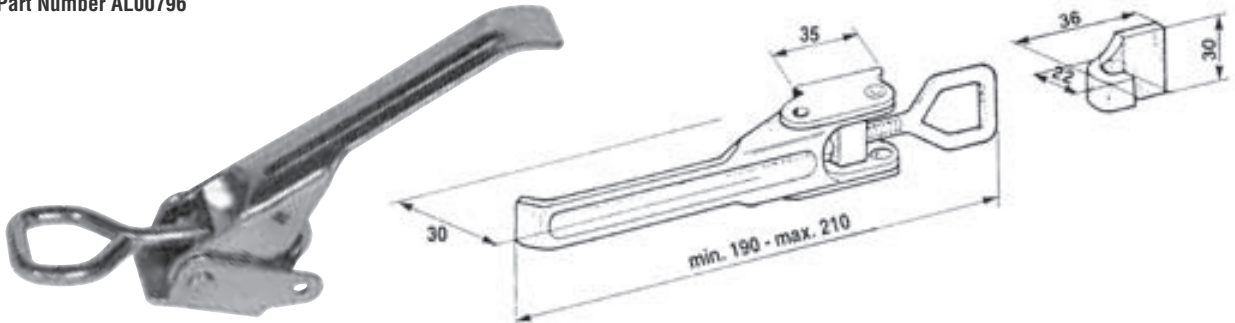






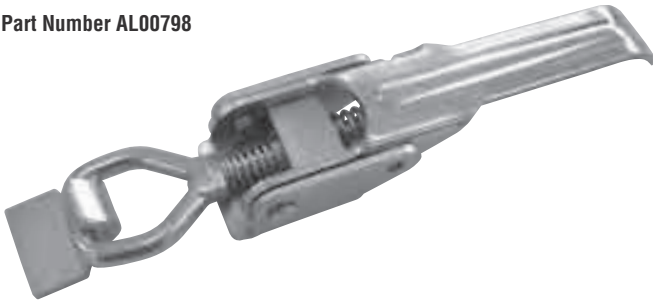
## Adjustable Closure with Hook

Part Number AL00796



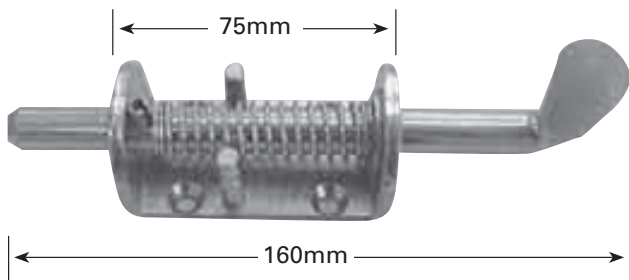
## Adjustable Closure + Hook with Spring

Part Number AL00798



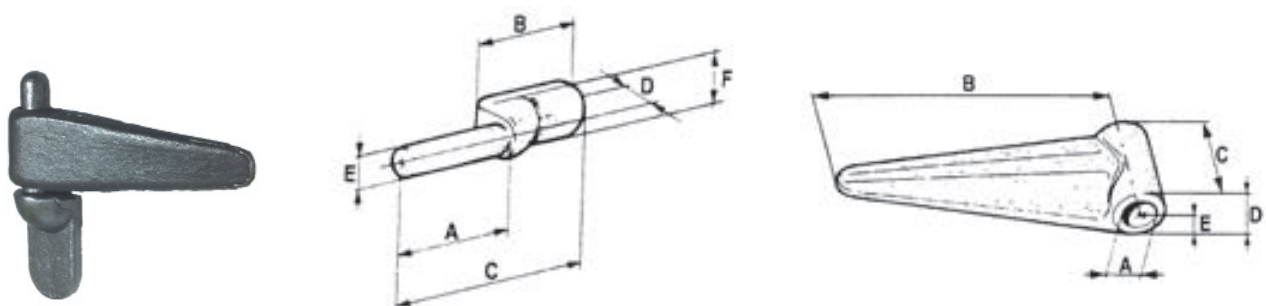
## Tail Gate Catch

Part Number TA01623



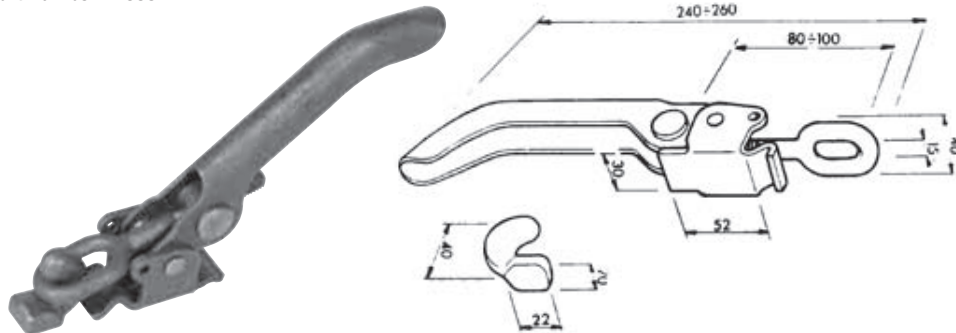
## Tail Gate Catch

Part Number AL00835



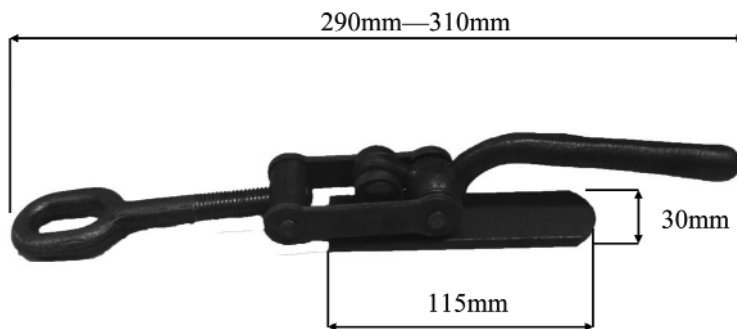
## Heavy Duty Adjustable Closure with Hook

Part Number AL00821



## Heavy Duty Adjustable Closure with Hook

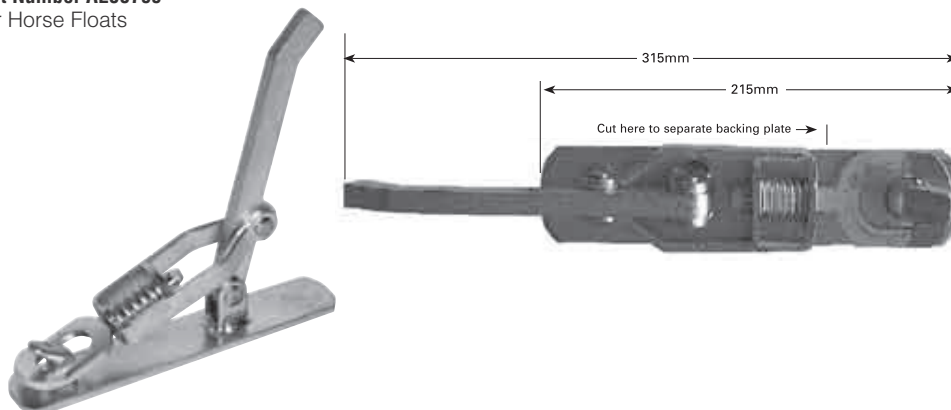
Part Number AL00844



## Heavy Duty Spring Loaded Overcentre Closure

Part Number AL00799

For Horse Floats

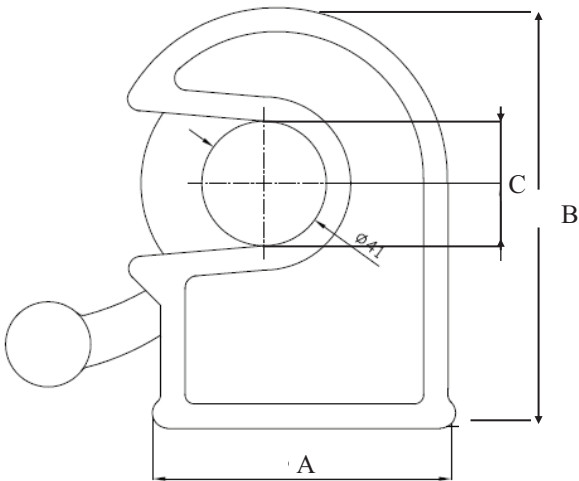


## Heavy Duty Overcentre Closure + Hook with Spring

Part Number AL02674

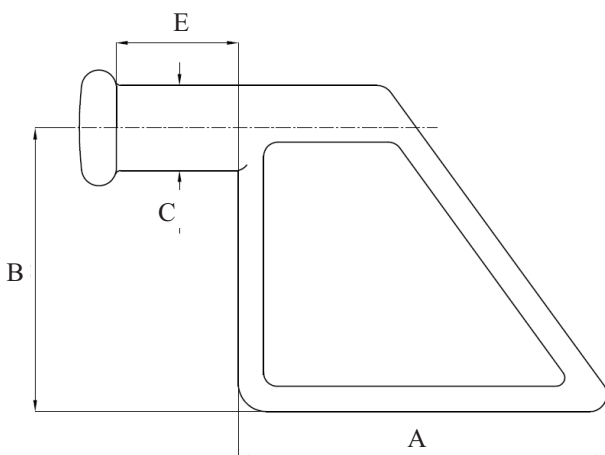


## Link Block Locks



PART NUMBER	A	B	C
AL02772	67	110	20
AL00840	80	122	30
AL02773	98	140	40

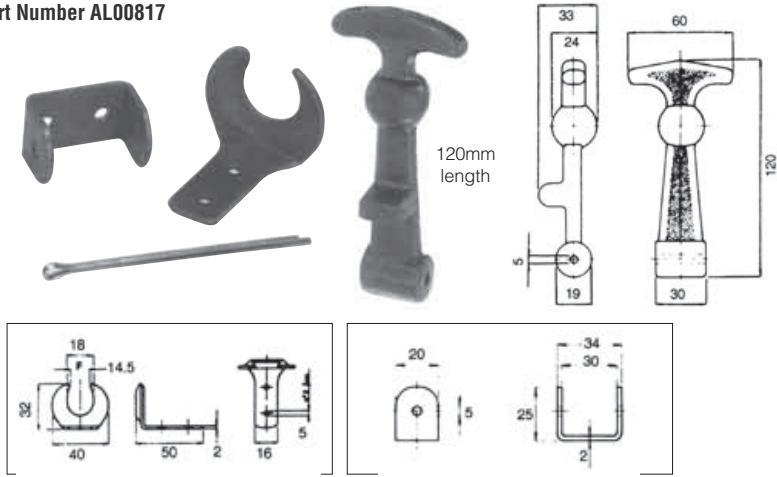
## Link Block Pins



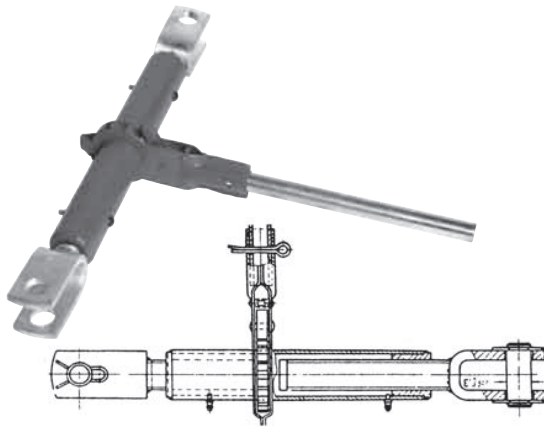
PART NUMBER	A	B	C	D
AL02770	129	92	20	40
AL00837	130	100	30	43
AL02771	133	100	40	52

## Rubber Hood Catch

Part Number AL00817

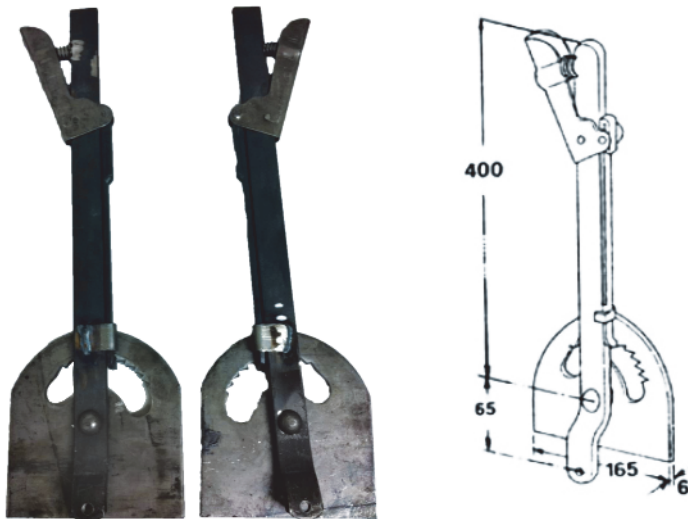


## Ratchet Adjustable Toplinks



PART NUMBER	CLOSED	OPEN	CLEVIS PIN
AL01972	514mm	717mm	25.4mm

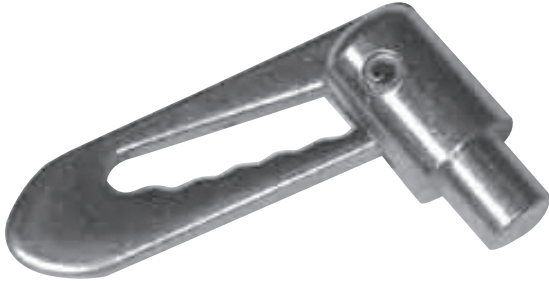
## Parking Brake Lever



PART NUMBER	TYPE
1002	Left Hand
1003	Right Hand

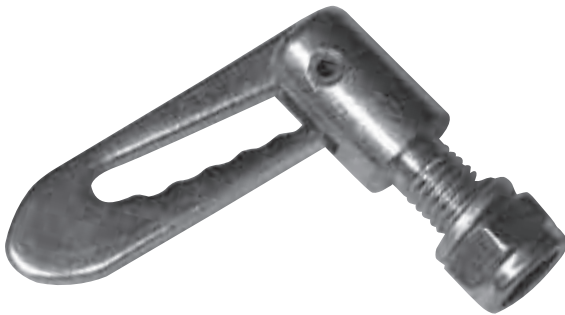
# HARDWARE

## Weld-On Droplock



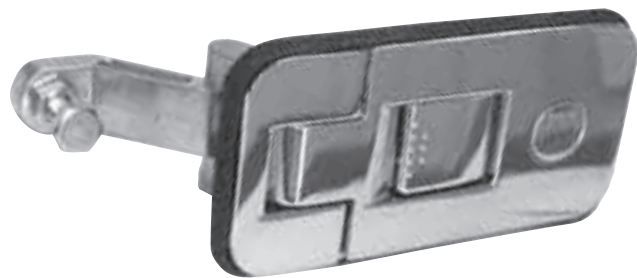
PART NUMBER	PIN DIAMETER
AL00784	1/2"

## Bolt-On Droplock



PART NUMBER	THREAD LENGTH
AL00785	35mm
AL01877	75mm

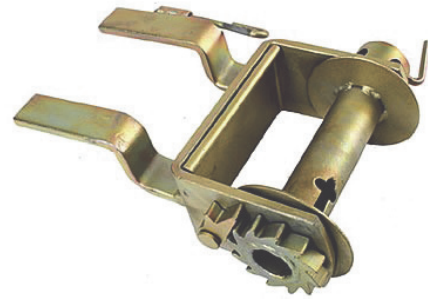
## Push Button Locks



PART NUMBER	COLOUR
AL00800	Black
AL00801	Chrome

## HEAVY DUTY TIE-DOWN STRAP ASSEMBLIES

PART NUMBER	DESCRIPTION	RATING
RAT386	Ratchet Strap 38mm x 6 metres	1500kg
RAT509	Ratchet Strap 50mm x 9 metres	2500kg
RAT5011	Ratchet Strap 50mm x 11 metres	2500kg
RAT5012	Ratchet Strap 50mm x 12 metres	2500kg
RAT5013	Ratchet Strap 50mm x 13 metres	2500kg



PART NUMBER	DESCRIPTION	RATING
RATSM509	Slide Mount Truck 50 x 9 metres	1500kg
RATSM	Slide Mount Truck Winch Only	2500kg
RATST	Slide Mount Truck Replacement Strap	2500kg



# SNATCH STRAPS

## VEHICLE RECOVERY SNATCH STRAP

- Easy to handle and store
- Rot and mildew resistant
- Standard length 9M, other lengths made to order
- 20-30% stretch
- 100% nylon
- Ratings are break strengths
- Snatch strap rating should be 2-3 times vehicle GVM
- Anti recoil straps fitted for added safety
- 62T, 85T & 100T have protective sleeve over full length



ORDER NO	RATING	WEBBING	STANDARD LENGTH
<b>POLYESTER TOW ROPES</b>			
TS30T	30,000KG	FLAT WEB	9 METRE
TS60T	60,000KG	FLAT WEB	9 METRE
TS80T	80,000KG	FLAT WEB	9 METRE
TS105T	105,000KG	ROUND WEB	9 METRE
TS210T	210,000KG	ROUND WEB	9 METRE
TS300T	300,000KG	ROUND WEB	9 METRE
TS350T	350,000KG	ROUND WEB	9 METRE
TS400T	400,000KG	ROUND WEB	9 METRE
TS450T	450,000KG	ROUND WEB	9 METRE

ORDER NO	RATING	WEBBING	STANDARD LENGTH	WEIGHT
<b>NYLON SNATCH STRAPS</b>				
SN8.5T	8,500KG	60MM/1PLY	9 METRE	2.45KG
SN11.5T	11,500KG	75MM/1PLY	9 METRE	2.95KG
SN16T	16,000KG	60MM/2PLY	9 METRE	4.3KG
SN26T	26,000KG	75MM/2PLY	9 METRE	5.1KG
SN32T	32,000KG	100MM/2PLY	9 METRE	7.35KG
SN50T	50,000KG	150MM/2PLY	9 METRE	11.1KG
SN62T	62,000KG	100MM/4PLY	9 METRE	16.8KG
SN85T	85,000KG	150MM/4PLY	9 METRE	22KG
SN100T	100,000KG	60MM/1PLY	9 METRE	29KG
SN150T	150,000KG	60MM/1PLY	9 METRE	36KG

# WHEELS, RIMS & TYRES

## INDUSTRIAL/TURF TYRE & WHEEL



PART NUMBER	SIZE (INCHES)	COLOUR	PLY	BOSS	OVERALL DIAMETER	SECTION WIDTH	BEARING	CAPACITY	MAX PSI	SPEED RATING
AL01538	13.5x5.0-6	White	4	98mm	310mm	118mm	25mm	145kg	32	High speed bearing 20kmph
AL01548	13x5.00-6	White	4	98mm	310mm	118mm	1	145kg	32	High speed bearing 20kmph



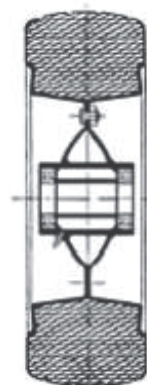
PART NUMBER	SIZE (INCHES)	COLOUR	PLY	BOSS	OVERALL DIAMETER	SECTION WIDTH	BEARING	CAPACITY	MAX PSI	SPEED RATING
AL01540	15x6.00-6	White	6	98mm	340mm	138mm	25mm	145kg	30	Low speed bearing 5kmph



PART NUMBER	SIZE (INCHES)	COLOUR	BOSS	OVERALL DIAMETER	SECTION WIDTH	BEARING	CAPACITY	MAX PSI	SPEED RATING
AL02738	4.10x3.5-4	Black	56mm	256mm	80mm	3/4	180kg	30	Precision bearing 10kmph

## EXTRA HEAVY DUTY SOLID RUBBER INDUSTRIAL WHEELS

PART NUMBER	OVERALL DIAMETER	SECTION WIDTH	BEARING	HUB	CAPACITY	SPEED RATING
TA00571	400mm	100mm	25mm	80mm	350kg	25kmph
TA00569	360mm	100mm	25mm	80mm	320kg	25kmph
TA00570	250mm	65mm	25mm	60mm	300kg	25kmph





# WHEELS, RIMS & TYRES

## TRAILER WHEELS & TYRES

PART NUMBER	SIZE (Inches)	WIDTH (Inches)	NUMBER OF STUDS	P.C.D. (mm)	SPEED RATING	FINISH
AL03229	6	4.25	0	6205 BEARING	25kmph	White
AL03062	8	3.75	0	6205 BEARING	25kmph	White
AL03165	8	5.25	0	6205 BEARING	25kmph	White
AL03189	8	3.75	4	101.6-MINI		White
AL03158	8	3.75	5	114.3-FORD		White
AL03227	8	5.375	4	101.6-MINI		White
AL03161	8	5.375	5	114.3-FORD		White
AL03151	8	7	4	101.6-MINI		White
AL03224	8	7	5	114.3-FORD		White
AL03059	9	4	5	114.3-FORD		White
AL03071	8	8.5	4	101.6		White
AL03301	10	6	5	114.3		White



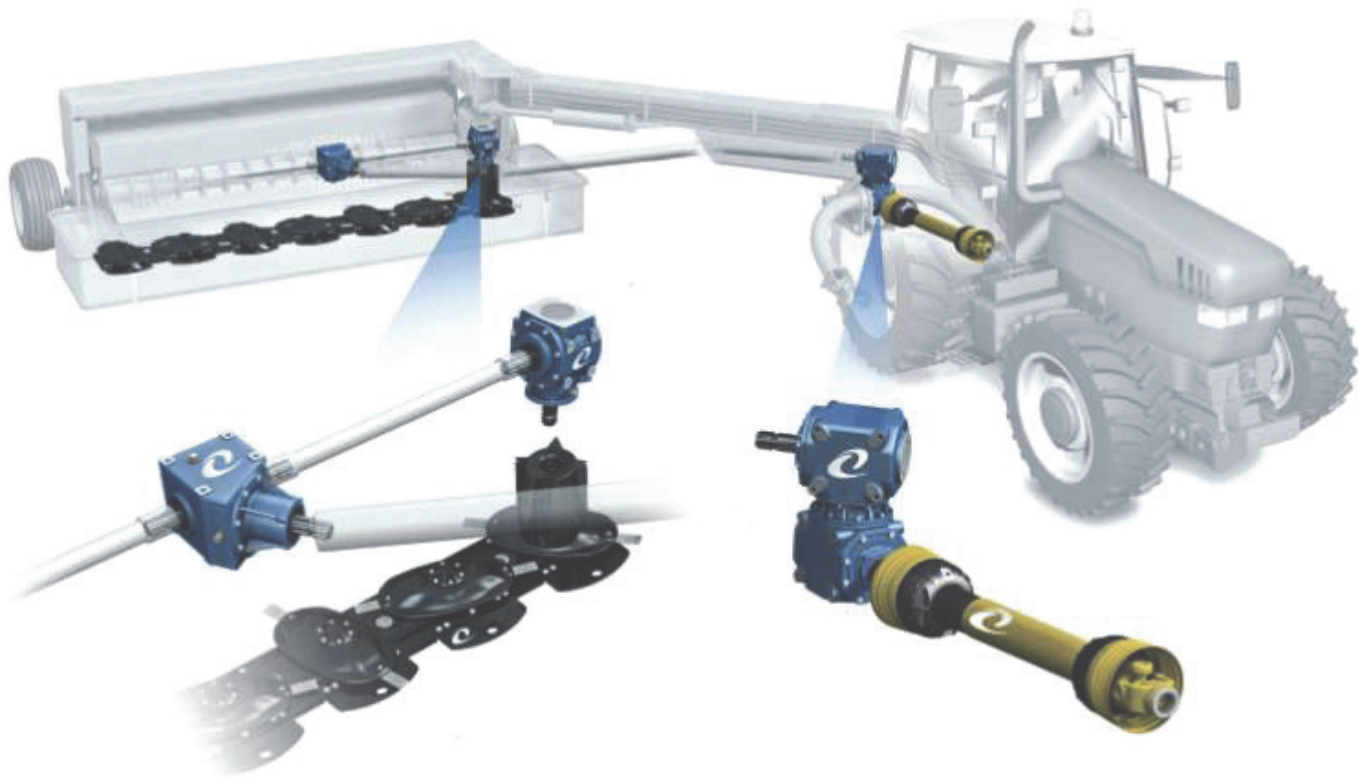
PART NUMBER	SIZE (Inches)	WIDTH (Inches)	NUMBER OF STUDS	P.C.D. (mm)	OFFSET (mm)	FINISH
TA00198	13	4.50	5	114.3-FORD	7 -	White
TA00199	13	4.50	5	114.3-FORD	7 -	Galv
TA00892	14	6.00	5	107.95-HT	10 +	White
TA01167	14	6.00	5	120.65-HQ	12 +	White
TA00192	14	6.00	5	114.3-FORD	2.5 -	White
TA00193	14	6.00	5	114.3-FORD	2.5 -	Galv
TA01111	14	6.00	6	139.7-TOYOTA	0	White
TA00187	14	6.00	5	114.3-FORD	10 +	White
TA00194	15	7.00	6	139.7-TOYOTA	10 +	White
TA00700	15	7.00	6	139.7-TOYOTA	20 +	White

# WHEELS, RIMS & TYRES

## TYRE & WHEEL ASSEMBLIES



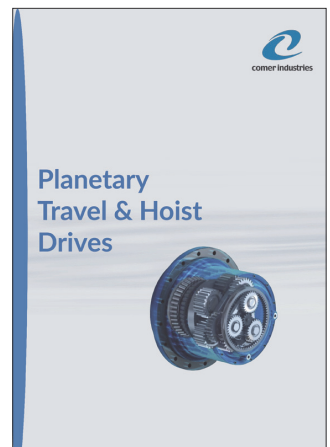
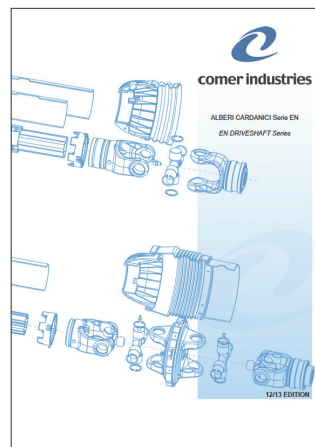
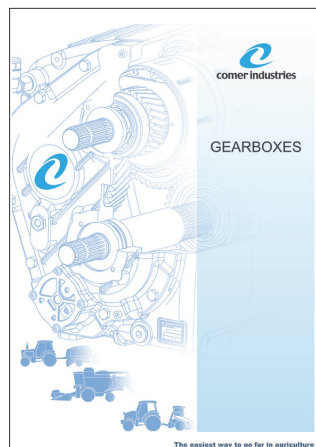
PART NUMBER	TYRE SIZE	RIM	CENTRE PATTERN	OFFSET (mm)	FINISH
TWA0317	155R13C HAIDA 8 PLY	13-4.50	FORD 5/114.3	7 -	GALV
TWA0356	155R13C HAIDA 8 PLY	13-4.50	FORD 5/114.3	7 -	WHITE
TWA0305	165R13C HAIDA 8 PLY	13-4.50	FORD 5/114.3	7 -	WHITE
TWA0315	165R13C HAIDA 8 PLY	13-4.50	FORD 5/114.3	7 -	GALV
TWA0736	165R13C HAIDA 8 PLY	13-4.50	HT 5/107.95	7 -	GALV
TWA0170	185R14C HAIDA 8 PLY	14-6.00	FORD 5/114.3	10 +	FORD
TWA0171	185R14C HAIDA 8 PLY	14-6.00	FORD 5/114.3	2.5 -	WHITE
TWA0204	185R14C HAIDA 8 PLY	14-6.00	FORD 5/114.3	2.5 -	GALV
TWA0333	185R14C HAIDA 8 PLY	14-6.00	HT 5/107.95	10 +	WHITE
TWA0353	185R14C HAIDA 8 PLY	14-6.00	TOYOTA 6/139.7	0	WHITE
TWA0425	185R14C HAIDA 8 PLY	14-6.00	HQ 5/120.65	12 +	WHITE
TWA0729	185R14C HAIDA 8 PLY	14-6.00	HT 5/107.95	7 -	GALV
TWA0737	185R14C HAIDA 8 PLY	14-6.00	HQ 5/120.65	12 +	GALV
TWA0179	195R14C HAIDA 8 PLY	14-6.00	FORD 5/114.3	2.5 -	WHITE
TWA0191	235/75R15 HAIDA 6 PLY	15-7.00	TOYOTA 6/139.7	10 +	WHITE
TWA0323	245/75R15 HAIDA 6 PLY	16-7.00	TOYOTA 6/139.7	20 +	WHITE
TWA0228	31/10.50R15 HAIDA 6 PLY	15-8.00	TOYOTA 6/139.7		WHITE
TWA0295	31/10.50R15 HAIDA 6 PLY	15-7.00	TOYOTA 6/139.7	10 +	WHITE



**SIMOL**<sup>®</sup>  
 our ideas, your solutions

  
**comer industries**

Specific Catalogues are available on Request



[agriparts.com.au](http://agriparts.com.au)



**AGRIPARTS  
& REPAIRS**

P: 08 9362 6811  
29 WELSHPOOL RD, WELSHPOOL  
WA 6106, WESTERN AUSTRALIA  
Email: [sales@agriparts.com.au](mailto:sales@agriparts.com.au)

P: 03 5823 0250  
5 PRODUCTION WAY, PAKENHAM  
VIC 3810, VICTORIA  
Email: [sales.vic@agriparts.com.au](mailto:sales.vic@agriparts.com.au)

**AGRICULTURAL INDUSTRIAL MINING SUPPLIES**