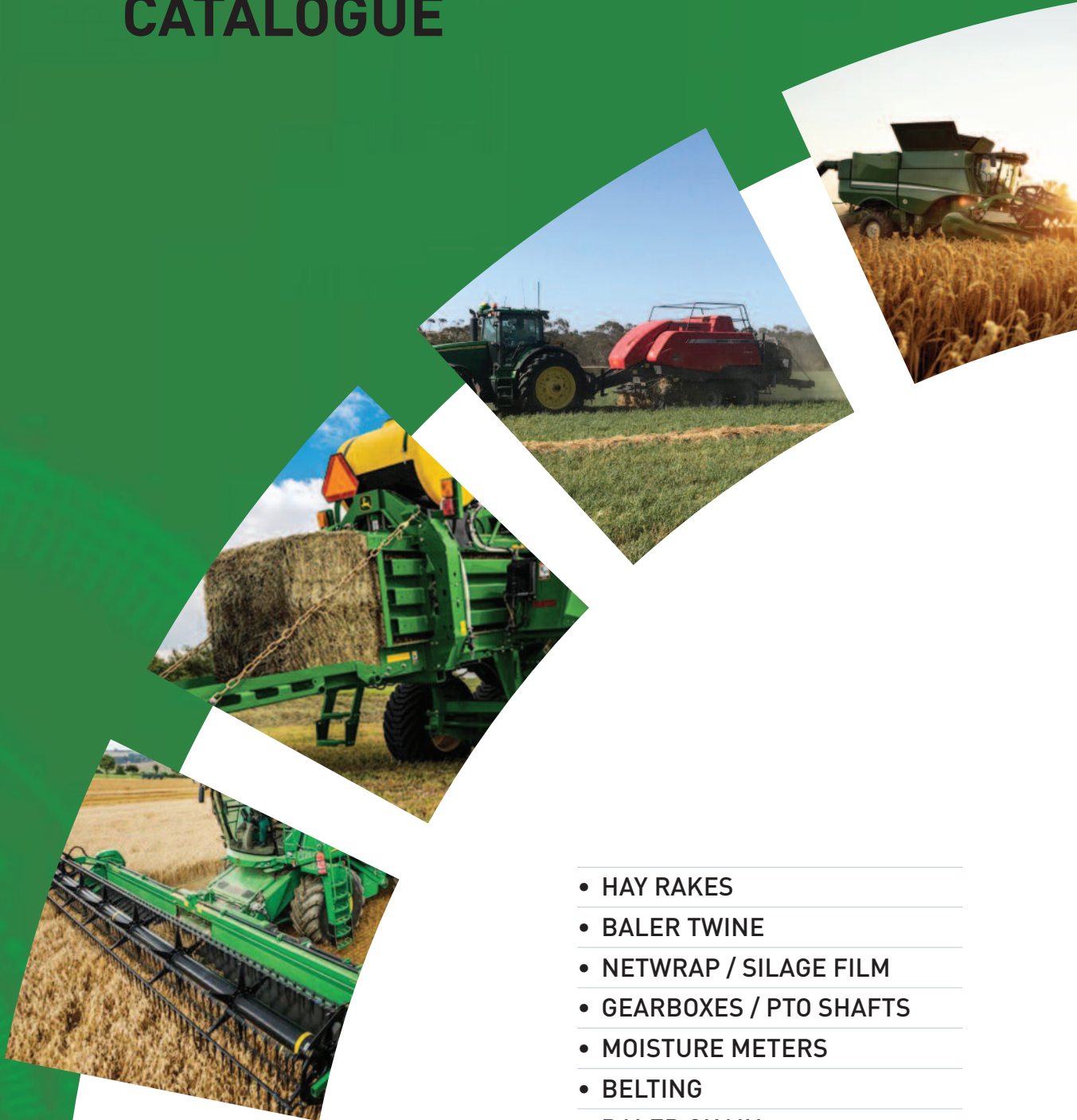




**AGRIPARTS  
& REPAIRS**

**1ST EDITION**

# **HAY & HARVEST CATALOGUE**



- HAY RAKES
- BALER TWINE
- NETWRAP / SILAGE FILM
- GEARBOXES / PTO SHAFTS
- MOISTURE METERS
- BELTING
- BALER CHAIN
- HAY FORKS



# AGRIPARTS & REPAIRS

<b>HAY RAKES</b>	
CN NADAL HAY RAKE FOR BALERS	1 - 2
SITREX HAY RAKE	3 - 4
<b>BALER TWINE</b>	
CORDEX ULTRAGRIP 110	5
CORDEX EXTREME 108	6
CORDEX MAXXCORD 108	7
<b>NETWRAP &amp; SILAGE FILM</b>	
CORDEX MAXXNET (PREMIUM)	8
CORDEX SILAGE FILM	9
<b>SILO BAGS</b>	
IPEASILO BAGS	10
<b>PTO SHAFTS / GEARBOXES</b>	
COMER PTO SHAFTS	11
COMER REPLACEMENT HAY EQUIPMENT GEARBOXES	12
<b>ELECTRONICS</b>	
DELMHORST MOISTURE METERS	13
HAYTECH HAY MONITORING SYSTEM	14
<b>BELTING</b>	
WCCO BELTING	15 - 19
<b>CONSUMABLES</b>	
BALER ROLLER CHAIN	20
HAY FORKS AND BUSHES	20

## RH120 CN NADAL RAKE

The Nadal RH-120 is the first baler mounted rake of its kind to offer a full 11.6m working width. The hydraulic roller bar rake mounts between the tractor and the baler allowing a single operator to rake and bale in the one operation. For large capacity balers, raking multiple windrows in one pass not only increases baler productivity but also lowers ground speed.

The RH-120 can be folded up easily for transport or where the wind rows have already been raked.

In the work mode, hydraulic accumulators allow the arms to be precisely placed just above the ground. The separate accumulators allow both arms to float independently when operating on undulating ground or if an obstacle is hit.

**SEARCH YOUTUBE FOR A WORKING DEMONSTRATION OF THE BELOW RH-120K HAY RAKE IN OPERATION PINGRUP WESTERN AUSTRALIA.**



MODEL	TYPE	ACTUAL WIDTH (12m)	WORKING WIDTH (m)	TRANSPORT WIDTH (m)	TRANSPORT HEIGHT (m)
RH-120M	RAKE TO SUIT MASSEY XD BALER	12.0	11.4	3.0	4.1
RH-120K	RAKE TO SUIT KRONE	12.0	11.4	3.0	4.1
OPTIONS:					
RH-120AU	CROSS AUGER KIT SUPPLIED WITH HYDRAULIC MOTORS AND HOSES				



Working Width 11.6 m

## FEATURES:

- Cross auger option to assist with big windrows.
- Dual adjustable gauge wheels.
- Auto height control for wings.
- Hydraulically adjustable drawbar height.
- Transport safety lock.
- Easy to use cab controls.
- Adjustable rollerbar speed (max 65 rpm).
- Heavy duty engineering with all pivot points bushed and greased.
- Low horsepower and hydraulic requirements.
- Compact transport configuraton.



## H90 TRAILER HAYRAKE

<b>APPLICATION</b>	Suitable for raking, turning and spreading haycrops, silage and grain crop stubble.
<b>CONSTRUCTION</b>	Simple robust construction requiring minimal maintenance.
<b>DRIVE LINE</b>	Ground Drive.
<b>CONTROL</b>	Single set hydraulics via tractor remote.
<b>ATTACHMENT</b>	Trailing via tractor drawbar.



MODEL	TYPE	NUMBER OF RAKE WHEELS LEFT /	TYNES PER WHEEL	RAKE WHEEL DIAMETER (mm)	WORKING WIDTH (m)	TRANSPORT WIDTH (m)	WEIGHT (KG)
H90-V8	CARTED "V" WITH SPLITTER	4 L / 4 R	40	1400	6.1	3.6	545
H90-V10		5 L / 5 R			7	4.7	615

## HYDRAULIC TRAILED MAGNUM “V” HAYRAKE

<b>APPLICATION</b>	Suitable for raking, turning and spreading hay crops, silage and grain crop stubble.
<b>CONSTRUCTION</b>	Simple robust construction requiring minimal maintenance.
<b>DRIVE LINE</b>	Ground Drive.
<b>CONTROL</b>	Single set hydraulics via tractor remote.
<b>ATTACHMENT</b>	Cat 2 clevis to tractor drawbar.
<b>WINDROW WIDTH</b>	3 - 5 foot / 0.9 - 1.5m.



MODEL	TYPE	NUMBER OF RAKE WHEELS LEFT /	TYNES PER WHEEL	RAKE WHEEL DIAMETER (mm)	WORKING WIDTH (m)	TRANSPORT WIDTH (m)	WEIGHT (KG)
HR-MX/10	TRAILED “V” WITH DUAL HYDRAULIC SPLITTER WHEELS STANDARD	5 L / 5 R + 2	40	1400	6.2	2.5	1370
HR-MX/12		6 L / 6 R + 2			7.1		1520



Balers are bigger and **contractors are demanding** professionals looking for **higher density bales**.

To match this challenge they need a high performance twine to **ensure High Knot Strength** and **good grip**, avoiding slippage **even in the most extreme** baling conditions.

- ◆ PREMIUM QUALITY
- ◆ HEAVY DUTY
- ◆ TENSION TESTED
- ◆ U.V. STABILISED
- ◆ POLYPROPYLENE



To meet this challenge CordexAgri developed ULTRA GRIP.

- 80% Higher Grip than any standard twine,
- Guaranteed Knot Strength - 250kg (550lb)
- High Anti U.V.

REFERENCE	WEIGHT	RUNNAGE	SPOOLS PER PACK	PACKS / PALLET	KNOT STRENGTH	COLOUR
ULTRAGRIP 110	20 KG	110M / KG	2	24	250 KG/F	BLUE

**Today's baling is a job for experts!**





Our special relationship with OEMs and baling professionals, allied with our unrivalled experience in the development of high tenacity twines, allows us to say that “Xtreme twine is without doubt the most recommended and suitable twine for the latest generation High Density Balers”.

◆ HIGH PERFORMANCE

◆ GUARANTEED WEIGHT

◆ GUARANTEED RUNNAGE

◆ GUARANTEED RESISTANCE

◆ HIGH DENSITY TWINE



REFERENCE	WEIGHT	RUNNAGE	SPOOLS PER PACK	PACKS / PALLET	KNOT STRENGTH	COLOUR
EXTREME108	20 KG	108M / KG	2	24	260 KG/F	Creme

Today’s baling is a job for experts!





# MAXXCORD® 108™

Born from extensive field testing with the new generation of high density balers, and from the joint development with one of the biggest and most important worldwide producers of biomass, MAXXCORD - the world's most advanced HD baler twine!



◆ KNOTTER FRIENDLY

◆ REDUCED KNOT SLIPPAGE

◆ HIGH VISIBILITY

◆ THE ULTIMATE TWINE FOR HD BALERS

Complete with CordexAgri Knot-TEC technology, Maxxcord has the perfect formula combination of Knot Performance, Ultimate strength, Long Length and Good Visibility. It is the ultimate accompaniment to all the ultra high density balers and it has proven to work in all conditions to produce the highest density bales possible.

REFERENCE	WEIGHT	RUNNAGE	SPOOLS PER PACK	PACKS / PALLET	KNOT STRENGTH	COLOUR
MAXXCORD108	21.2 KG	108M / KG	2	24	275 KG/F	Pink

Our commitment is to continue to innovate on a daily basis, because our main concern above all others, is to offer the end user the best possible option to ultimately help him increase baling performance and therefore profitability for his business.

**Don't underestimate the power of pink. Dare to "Bale with ULTIMATE STRENGTH".**



# MAXXNET®

## BALE WITH NO LIMITS

Farmers and contractors value ultimate performance when baling.  
**CordexAgri®** Launches its latest and strongest Netwrap, **MaxxNet®**.  
 MaxxNet always delivers perfectly covered high density round bales.



**PREMIUM QUALITY NETWRAP**



**PERFECT BALE COVERAGE**



**HIGH VISIBILITY**



**MAXIMUM STRENGTH**

- ▶ MANUFACTURED WITHOUT LIMITATIONS
- ▶ ID TECHNOLOGY FOR ULTIMATE STRENGTH
- ▶ FULL S2S SIDE TO SIDE COVERAGE
- ▶ GUARANTEED MINIMUM LENGTH
- ▶ MAXIMUM UV PROTECTION
- ▶ 50 M END OF ROLL RED WARNING STRIPE
- ▶ REUSABLE HANDLES
- ▶ LEFT / RIGHT DIRECTION INDICATION
- ▶ SUITABLE FOR ALL MAKES AND MODELS OF ROUND BALER MACHINES
- ▶ LIMITED PRODUCTION



**MaxxNet®** can be used to bale the most demanding crops in the harshest climatic conditions. **MaxxNet®** allows contractors and farmers to produce the **highest density bales, reducing transport and storage costs, increasing profitability.**

**MaxxNet®** provides contractors and farmers with **the ability to use the full potential of their machines to make the heaviest and densest bales possible.** Ultimate strength comes **balanced with improved S2S Side to Side technology.**

**MaxxNet®** will spread across the bale surface giving full bale coverage.

**MaxxNet®** allows contractors and farmers to “**BALE WITH ULTIMATE STRENGTH**”.

	1.30m		
REFERENCE / RUNNAGE	2800	3800	4200*
RESISTANCE kg (minimum)	280	280	280
RESISTANCE kg (average)	320	320	320
ROLLS PER PALLET	36	28	28
COLOURS	White / Purple	White / Purple	White / Purple



A co-extruded 5 layer film, engineered with high puncture resistance. Its superior strength guarantees its suitability for both round and square bale wrapping in the toughest conditions.



### SILACORD STRETCH FILM

750mm x 25 micron x 1500m

40 ROLLS / PALLET

COLOURS GREEN, WHITE

Silacord has a high anti-UV content to prevent film degradation and high barrier properties to prevent spoiled fodder. Suitable for round and square wrapping machines.

# SILAGE FILM SILACORD™

› CO-EXTRUDED 5 LAYER FILM

› HIGH PUNCTURE RESISTANCE

› SUPERIOR STRENGTH

› SUITABLE FOR ROUND AND LARGE SQUARE BALE WRAPPING

› FOR TOUGH CONDITIONS

› UV PROTECTED TO PREVENT FILM DEGRADATION

› HIGH BARRIER PROPERTIES TO PREVENT SPOILED FODDER

## SILO BAGS



The most trustworthy, solid and versatile Grain Bags available. Grow your storage without limits.

IpesaSilo bags have led a revolution in the way of preserving grains and forages. Once the grain is loaded in the bag, it begins to consume the oxygen available, generating an atmosphere rich in carbon dioxide, reducing oxygen levels, inhibiting the breathing process ensuring optimum conservation.

This steady atmosphere, plus the thermal protection offered by the exclusive IpesaSilo material, prevents the increase in grain temperature, preventing the development and proliferation of fungi and insects common in traditional storage systems.



CODE	BAGS	BAG WEIGHT	BAG STORAGE CAPACITY	BAGS X PALLET
SB960	9 x 60	105	200	13
SB975	9 x 75	250	11	
SB9100	9 x100	186	330	7





comer industries

## REPLACEMENT BALER PTO SHAFTS

COMER NUMBER	SERIES	DESCRIPTION	DIMENSIONS
180.019.130	9	UNI CROSS	
141.029.345	9	YOKE 1 3/4 Z20 CLAMP STYLE	



COMER NUMBER	SERIES	DIMENSION (L)	TRACTOR END	IMPLEMENT END	RATED HP @ 1000 RPM
E900660NC15135	9	660mm	1 3/4 Z20 COLLAR	1 3/4 BOLT	190
E901010NC15132	9	1010mm	1 3/4 Z20 COLLAR	1 3/8 Z6 BOLT	190





**comer industries**

# REPLACEMENT GEARBOXES FOR HAY EQUIPMENT

**TYPE:** 9 SERIES PTO  
**APPLICATION:** BIG SQUARE BALER PTO



PART NO	DESCRIPTION	SUITS
9.315.000.00	CASE IH MOWER GEARBOX A86518543	DCX131, DCX131F, DCX161, DC132, DC132F, DC162, DC162F
9.279871.10	CASE IH SWIVEL GEARBOX 700713871	DC162, DC132, DCX161, DC515, 8312, 8315
9.268.876.00	JOHN DEERE BALER GEARBOX AFH207196 REPLACES AFH204883, AFH202245	448, 449, 458, 458F, 459, 468, 468F, 469, 558, 568
9.315.000.00	NEW HOLLAND MOWER GEARBOX A86518543	H7450, H7550, H7460, 1431, 1432, 1441, 1442, 2331, 2332
*THESE ARE SERVICE EXCHANGE GEARBOXES*		
*REPLACEMENT PARTS ONLY NOT OEM. ORIGINAL PART NUMBERS ARE USED FOR REFERENCE ONLY*		

# DELMHORST MOISTURE METERS

Hay growers rely on Delmhorst hay moisture meters to produce top-quality hay with optimum nutritional value and reduced risks of mold growth and spoilage. Delmhorst offers a variety of hay moisture meters to check hay in the windrow, during the baling process, and in the bale.

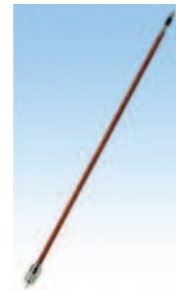
The F-2000 is great for hay producers looking to enhance quality control. The F-2000 checks hay moisture in the windrow or in bales, and comes with the same accuracy and clarity as the FX-2000!

## Key Features

- Bright, clear digital display.
- Averages up to 100 accumulated readings.
- Displays average and highest of accumulated readings.
- Moisture Range: 6%-40% on hay.
- Built-in calibration check.
- Audible, adjustable alarm alerts you when a pre-selected MC has been reached.
- Size: 203mm x 76mm x 41mm.
- Weight: 285g.
- Rugged construction ensures years of reliable use.
- Optional sturdy plastic carrying case.
- 9V battery.
- 3-year warranty.



**F - 2000**



**1235 - PROB**



**FX - 2000K**



**H - 4HANDLE**

MODEL	DESCRIPTION	FEATURES
F-2000K	KIT INCLUDES; MOISTURE METER, H4 HANDLE, 18 INCH PROBE, SHORT PIN PROBE	LISTED ABOVE
FX-2000K	KIT INCLUDES; MOISTURE METER, H4 HANDLE, 18 INCH PROBE, SHORT PIN PROBE	SAME FEATURES AS THE F-2000, PLUS A BACK LIT SCREEN AND ON THE GO MONITORING.
F-2000	MOISTURE METER	LISTED ABOVE
FX-2000	MOISTURE METER	LISTED ABOVE
H-4HANDLE	PROBE HANDLE	
1235-PROD	18 INCH PROBE	PROBE TO SCREW STRAIGHT ONTO END OF MOISTURE METER
830-3PROD	18 INCH PROBE	PROBE TO BE USED WITH H4 HANDLE AND CABLE
MCS-4	CALIBRATION TOOL	HIGH / LOW TEST READINGS

# WIRELESS HAY MONITORING

HAYTECH is the most efficient tool to monitor the temperature of your hay remotely and effortlessly all year long. Avoid dramatic losses caused by hay fire, HAYTECH is a powerful tool to manage the use of your fodder by knowing the quality of your hay. The HAYTECH kit is a full monitoring system including 10 wireless temperature probes that can be complemented by packs of 10 probes.

## Key Features

- Alert SMS messages.
- Real time temperature monitoring.
- Hay quality tracing.
- Durable weatherproof.
- Bright colour.
- Configurable alert levels.
- Temperature history.
- Baler locator editor.
- Easy installation.
- Maintenance free.
- Optional Solar Base Station.

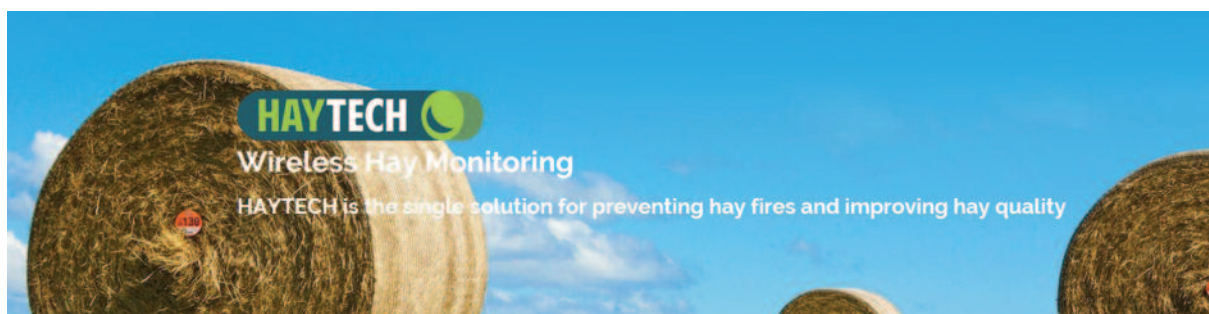


**QNT200 -10**



**QNT100 -10**

MODEL	DESCRIPTION	FEATURES
QNT200-10	HAYTECH PACK	BASE STATION DEVICE, REPEATER DEVICE, 10 WIRELESS HAYTECH PROBES, QUANTURI FREE ONLINE SERVICE.
QNT100-10	HAYTECH PROBES	10 PIECE HAYTECH PROBE KIT.
QNT-BASE	BASE STATION	SOLAR BASE STATION KIT SUPPLIED WITH 20W 12 VOLT SOLAR PANEL & 12V 12 AH BATTERY, UP TO 40 HRS WITH NIL SUN, 240V





# DRAPER FRONT BELTING

ORDER NO	MODEL APPLICATION	DETAILS
<b>Agco</b>		
Side Belting	(Sold per foot)	
SBAG41	All Agco Draper Fronts	41" wide - no V guide
SBAG41A	Agco Draper Fronts 9250 Series	41" Wide - V guide on edge
SBAG41B	Agco Draper Fronts 5200 Series	41" Wide - V guide inset 100mm
Connector	(Sold as a Kit)	
BCAG41	Suits 41" side belting	Includes Bolts and Nuts
Centre Feed Belt	(Sold as a Kit to exact size with joining holes pre punched and includes a Connector Kit)	
FBAG60	Agco Draper Fronts	60" wide by 57½" long - no V guide
FBAG51	Agco Draper Fronts 9250	51.5" wide by 63" long – with V guide
<b>Class</b>		
ASBCL395	Maxflo 1050 (35t), 1200 (40ft) - Side Belting	1020mm wide with V guide
<b>Honeybee also sold as New Holland</b>		
Side Belting	(Sold per foot)	
SBHB42	All Honeybee - New Holland to approx 2009	42" wide - no V guide
SBHB4175	Honeybee - New Holland 2009 on	41.75" wide - with V guide
SBMD416	Honeybee - 4000 Series 2015 on (Airflx)	41.6" wide - with V guide
Connector	(Sold as a Kit)	
BCHB42	Suits 41¾ " and 42" side Belting	Includes Bolts and Nuts
BCHB69	Suits 69" Centre Belt	Includes Bolts and Nuts
* These are replacement parts only. Not OEM. Original parts numbers are used for reference only.		



# DRAPER FRONT BELTING



ORDER NO	MODEL APPLICATION	DETAILS
<b>Honeybee also sold as New Holland</b>		
Centre Feed Belts	(Sold as a Kit to exact size with joining holes pre punched and includes a Connector Kit)	
FBHB34	Honeybee - New Holland - Some early (2 required per machine)	34" wide - no V guide
FBHB68	Honeybee - New Holland 2009 on	68.75" wide by 63" long - with V guide
FBHB69	Honeybee - New Holland to approx 2009	69" wide by 65" long - no V guide
FBHB4175	Honeybee - New Holland 2009 on (2 required per machine)	41.75" wide - with V guide
FBHB7975	Honeybee - New Holland 2009 on (2 required per machine) inc 4000 series	FBHB4175
<b>John Deere</b>		
Side Belting	(Sold per foot)	
SBJD36	930D, 936D Draper Fronts	36" wide - with V guide
SBJD395	630D, 635D, 640D Draper Fronts	39.5" wide - with V guide
Connector	(Sold as a Kit)	
BCJD36	Suits 36" wide belting	Includes Bolts and Nuts
BCJD395	Suits 39 1/2" wide belting	Includes Bolts and Nuts
BCJD55	Suits 55.3" wide centre belt	Includes Bolts and Nuts
BCJD60	Suits 60" wide centre Belt	Includes Bolts and Nuts
Centre Feed Belts	(Sold as a Kit to exact size with joining holes pre punched and includes a Connector Kit)	
FBJD60	930D, 936D Draper Fronts	60" wide by 631/2" long - with V guide
FBJD553	630D, 635D, 640D Draper Fronts	55.3" wide by 58" long - with V guide
* These are replacement parts only. Not OEM. Original parts numbers are used for reference only.		



# DRAPER FRONT BELTING

ORDER NO.	MODEL APPLICATION	DETAILS
<b>Midwest</b>		
Side Belting	(Sold per foot)	
SBMW36	All Midwest Draper Fronts	36" wide - with centre V guide
Connector	(Sold as a Kit)	
BCJD36	All 36" wide belting	Includes Bolts and Nuts
BCJD60	Suits 60" wide centre belt	Includes Bolts and Nuts
Centre Feed Belts	(Sold as a Kit to exact size with joining holes pre punched and includes a Connector Kit)	
FBMW44	Suit Midwest with narrow body centre design	44" wide – with V guide
FBMW60	Suit Midwest with wide body centre design	60" wide – with V guide
<b>Case/New Holland</b>		
Centre Feed Belt		
FBCNH42	Suits NH800 Series CIH31 Series (OEM 84289411)	42" wide
SBMD416	840C 880CF and Case-IH 3152 3162	41.6" wide - with V guide
<b>Macdon also sold as Case-IH and New Holland</b>		
Side Belting	(Sold per foot)	
SBMD416	All Macdon prior D60 and Case-IH prior to 2152, 2162	41.6" wide - with V guide
SBMD416DG	D60, D65, FD75 Macdon series 2152, 2162 Case-IH, 83C New Holland	41.6" wide - with double V guide
SBMD415	Early Case-IH swather, Agware swather	41.5" wide - no V guide
SBHB42	Case-IH swathers – 8120 on, some Hesston and Versatile	42" wide - no V guide
Connector	(Sold as a Kit)	
BCMD416	Suits 411/2", 41.6" side belting	Includes Bolts and Nuts
BCHB42	Suits 42" side belting	Includes Bolts and Nuts
Centre Feed Belts	(Sold as a Kit to exact size with joining holes pre punched and includes a Connector Kit)	
FBMD374	Macdon, Case-IH	37.4" wide by 85¾" long - with V guide
FBMD384	Macdon, Case-IH	38.4" wide by 97" long - with V guide
FBMD415	Macdon, Case-IH	41.5" wide by 85¾" long - with V guide
FBMD454	Macdon, Case-IH	45.4" wide by 97" long - with V guide
FBMD549	Macdon, Case-IH	54.9" wide by 85¾" long - with V guide
FBMD559	Macdon, Case-IH	55.9" wide by 97" long - with V guide
FBMD595	Macdon, Case-IH	59.5" wide by 85¾" long - with V guide
FBMDDG-IV	Macdon, Case-IH, 83C New Holland	78.5" wide by 63¾" long - with single V guide
* These are replacement parts only. Not OEM. Original parts numbers are used for reference only.		

# DRAPER FRONT BELTING

ORDER NO.	MODEL APPLICATION	DETAILS
<b>Honeybee Feed Belt Rollers &amp; Hydraulic Motors</b>		
HBDR05	Side Belt Driving Roller Honeybee & New Holland (including Bearing) suits 42" Belting	
HBDR10	Side Belt Idler Roller Honeybee & New Holland (including 2 Bearings) suits 42" Belting	
HBHB	Hexagonal Bearing suits Roller	
HBHM40	OMP40 Hydraulic Motor suits Honeybee & New Holland Belt Fronts	
HBHM50	OMP50 Hydraulic Motor suits Honeybee & New Holland Belt Fronts	
<b>Macdon Feed Belts &amp; Hydraulic Motors</b>		
MDDR-3962	Side Belt Driving Roller Macdon & Case-IH Belt Fronts 960, 962, 1040, 1042, (No Bearings). Original Part: 113962	
MDIR-3320	Side Belt Idler Roller Macdon & Case-IH Belt Fronts 960, 962, 1040, 1042, 2042 includes Roller Part 43320 and Shaft Part 49056 (No Bearings)	
MDDR-3837	Side Belt Driving Roller Macdon & Case-IH Belt Fronts 972, 973, 1052, 2052. Original Part: 113837 (No Bearings)	
MDIR-0081	Side Belt Idler Roller Macdon & Case-IH Belt Fronts 972, 973, 1052, 2052 includes Roller Part 100081 and Shaft Part (No Bearings)	
MDDR-2205	Drive Roller to suit Case-IH 8820	
MDIR-2042	Idler Roller to suit Case-IH 8820	
MDDR-3965	Drive Roller to suit Macdon 3000	
MDDR-4696	Side Belt Driving Roller Macdon & Case-IH & New Holland D60, 2152, 83C. Original Part: 174694	
MDIR-4714	Side Belt Idler Roller Macdon & Case-IH & New Holland D60, 2152, 83C. Original Part: 17417	
MDHM05	Hydraulic Motor suits Macdon & Case-IH Belt Fronts (4 bolt mount)	
MDLAG	Lagging Kit for one Roller (3 pieces per roller)	
<b>John Deere</b>		
JDDR36	Side Belt Driving Roller inc Hex Bearings Suit	936 Draper, Original Part: AH212964
JDHB	Hexagonal Bearing - Suit Draper Front Rollers	
JDIR-36	Side Belt Idler Roller, Suit 936 Draper, Original Part: H213230, H160572	
* These are replacement parts only. Not OEM. Original parts numbers are used for reference only.		

# PICKUP BELTING

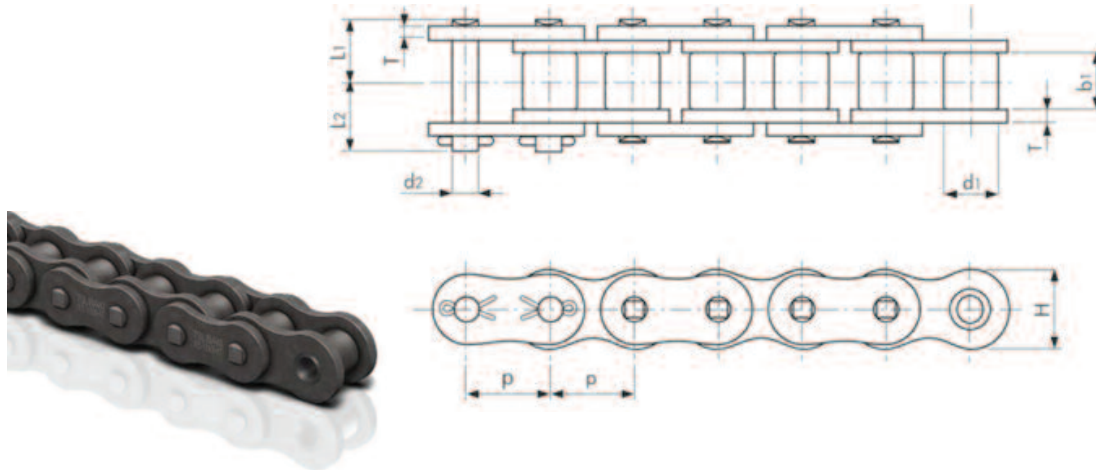
Case-IH	
<b>PBCIHBO</b> 	<b>Belt</b> Suits 1015 403 503 21¾" wide 60⅞" long - (No Teeth Fitted) 60 Teeth per Belt required <i>(Teeth not inc.)</i>
<b>PBSMFB</b> 	<b>Front belt</b> Suits 2015 model, 18¾" wide 57¾" long (No Teeth Fitted) 42 Teeth per Belt required <i>(Teeth not inc.)</i>
<b>PBSMRB</b> 	<b>Rear belt</b> Suits 2015 model, 18¾" wide 57¾" long
John Deere	
<b>PBJDBO</b> 	<b>Belt</b> Suits 110 132 212 214 912 914 3 Roller Models 22" wide 66½" long (No Teeth Fitted) 60 Teeth/Belt <i>(Teeth not inc.)</i>
<b>PBJDBO5</b> 	<b>Belt 44½" wide x 57¼" long</b> Suits JD615P (No Teeth Fitted) 92 Teeth/Belt <i>(Teeth not inc.)</i>
Phillips Swathmaster	
<b>PBSMFB</b> 	<b>Front belt</b> 18¾" wide 57¾" long (No Teeth Fitted) 42 Teeth per Belt required <i>(Teeth not inc.)</i>
<b>PBSMRB</b> 	<b>Rear belt</b> 18¾" wide 57¾" long
<b>PBSMJNR</b> 	<b>Flat Joiner Strip incl Bolts and Nuts</b> Suits above 2 belts
<b>PBSMFBW</b> 	<b>Front belt</b> Suits late model "Rollerdown" 37¾" wide 57¾" long (No teeth fitted) 84 Teeth per Belt required <i>(Teeth not inc.)</i>
<b>PBSMRBW</b> 	<b>Rear belt</b> Suits late model "Rollerdown" 37¾" wide 57¾" long

New Holland	
<b>PBNHBO</b> 	<b>Front Belt 1515mm wide</b> Suits NH790CP 84 Teeth per Belt required Original Part: 1012062 <i>(Teeth not inc.)</i>
<b>PBNHRB</b> 	<b>Rear Belt 1515mm wide</b> Suits NH790CP Original Part: 1012063
Victory	
<b>PBVICFB1</b> 	<b>Front Belt 17½" wide x 44¼" long</b> (No Teeth Fitted) 60 Teeth per Belt required Original Part: 01290-110001 <i>(Teeth not inc.)</i>
<b>PBVICRB1</b> 	<b>Rear Belt 17½" wide x 44¼" long</b> Original Part: 01300-110002
<b>PBVICFB2</b> 	<b>Front Belt 17½" wide x 53½" long</b> (No Teeth Fitted) 78 Teeth per Belt required Original Part: 720010 <i>(Teeth not inc.)</i>
<b>PBVICRB2</b> 	<b>Rear Belt – Plain Belt 17½" wide x 53½" long</b> Original Part: 013005-110003
Teeth	
<b>PBTEETH-SP</b> 	<b>Single Prong Teeth Victory</b>
<b>PBTEETH-DP</b> 	<b>Double Prong Teeth</b> Suits Case-IH, John Deere, Smales, Swath Master, Allis
<b>PBBN</b> 	<b>Bolt and Nut</b> Suits double prong teeth ¾" (No fangs)
<b>PBSPBN</b> 	<b>Bolt and Nut</b> Suits single prong teeth 1" (No fangs)
<b>PBJB</b> 	<b>Bolt and Nut</b> to join ends of Pick Up Belts ¾" (With fangs)

\* These are replacement parts only. Not OEM. Original parts numbers are used for reference only.



# BALER ROLLER CHAIN



PART NO	DESCRIPTION	PITCH (P)	ROLLER DIAMETER (D1)	INNER WIDTH (B1)
RS60-HT-1	ROLLER CHAIN HEAVY DUTY	3/4 "	11.91	12.70
RS80-HT-1	ROLLER CHAIN HEAVY DUTY	1"	15.88	15.88
RS100-HT-1	ROLLER CHAIN HEAVY DUTY	1 1/4 "	19.05	19.05

# HAY FORK TYNES



PART NO	TINE LENGTH	DESCRIPTION
B84007	820mm (32")	CONUS 11 TYPE (M28 FIXING NUT) <b>Tightening Torque for Nut: 460 ft lbs Failure at thread due to insufficient Torque is not covered by Warranty</b>
B84008	980mm (38 1/2")	
B84009	1100mm (43")	
B84010	1240mm (49")	
B84012	1400mm (55")	CONUS 111 TYPE (M33 x 2 FIXING NUT) <b>Tightening Torque for Nut: 1000 ft lbs Failure at thread due to insufficient Torque is not covered by Warranty</b>
<b>WELD-IN MOUNTING SLEEVES</b>		
B84101		CONUS 11 TYPE 57mm (2 1/4") Outside Diameter
B84013		CONUS 111 TYPE 80mm (3.149") Outside Diameter



comer industries



[agriparts.com.au](http://agriparts.com.au)



**AGRIPARTS  
& REPAIRS**

P: 08 9362 6811 F: 08 9361 3263  
29 WELSHPOOL RD, WELSHPOOL WA 6106, WESTERN AUSTRALIA  
Email: [sales@agriparts.com.au](mailto:sales@agriparts.com.au)